

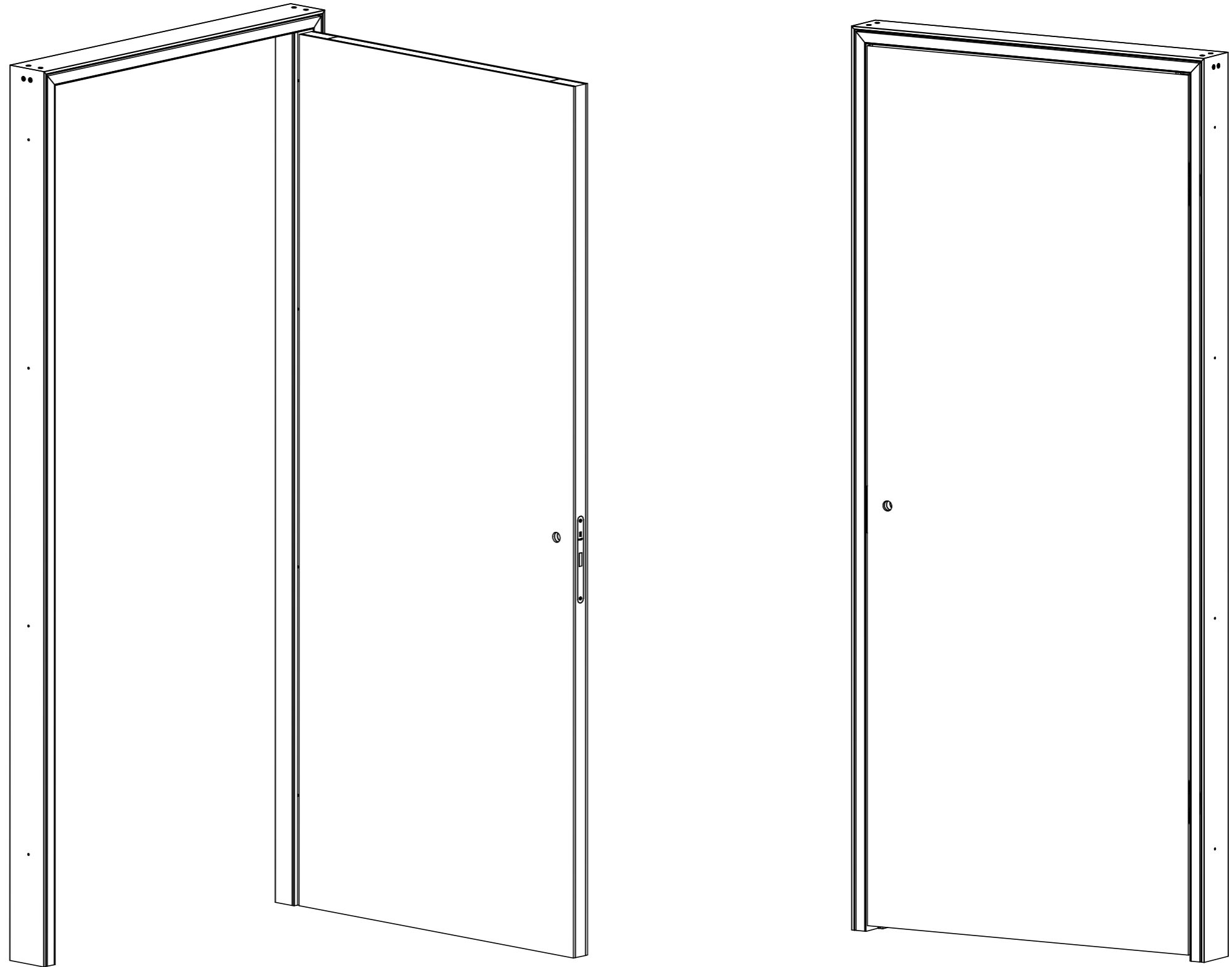
BMD

EMPLOYEE OWNED. BUILDING PARTNERS.

MANUFACTURING

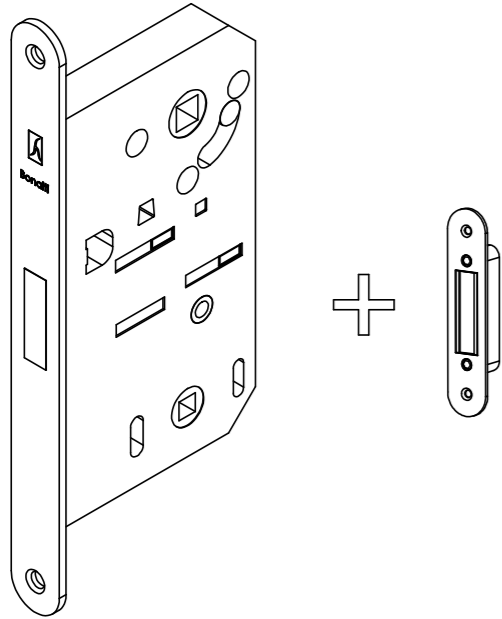
Glenview
DOORS®

Interior Door With L-Bead Jamb Installation Guide

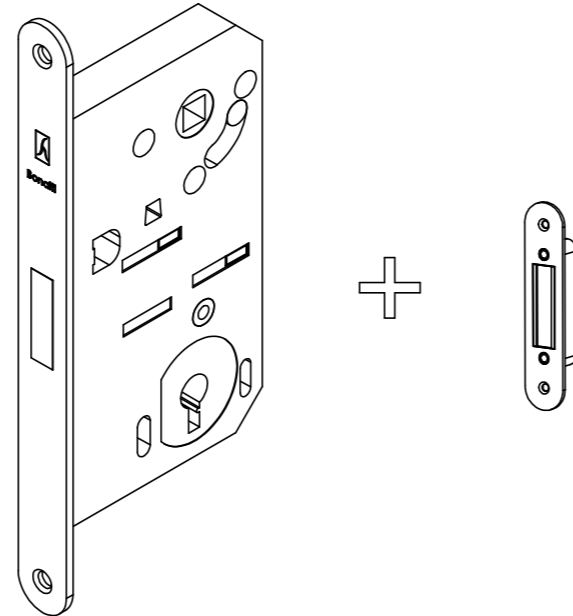


LOCK TYPES

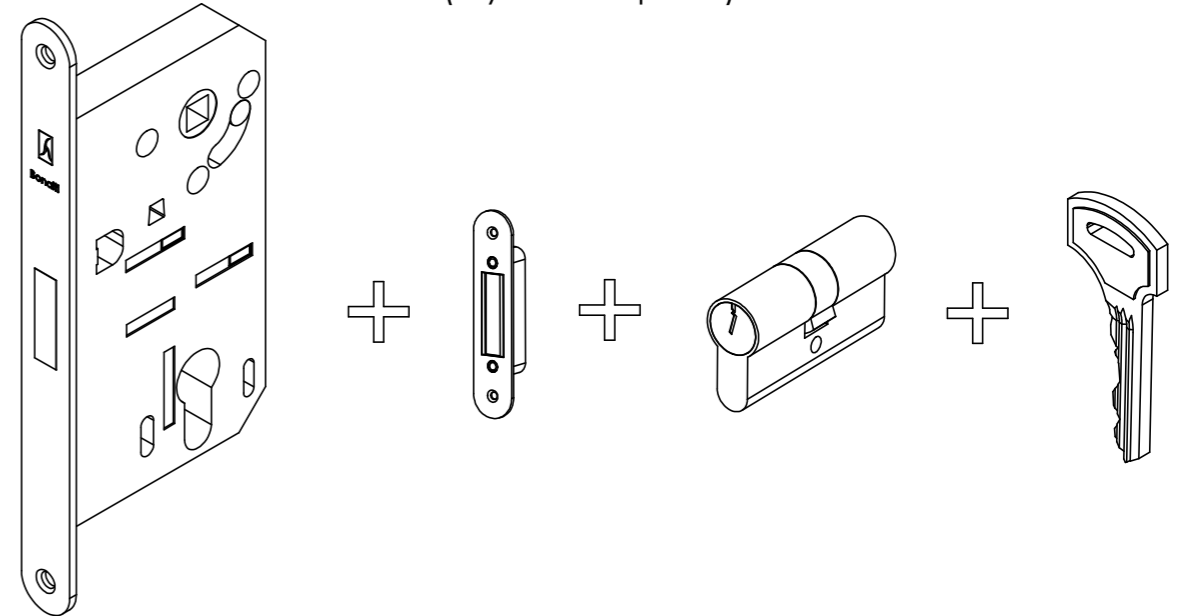
Bonaiti Lock
With Privacy Function



Bonaiti Lock
With Passage Function

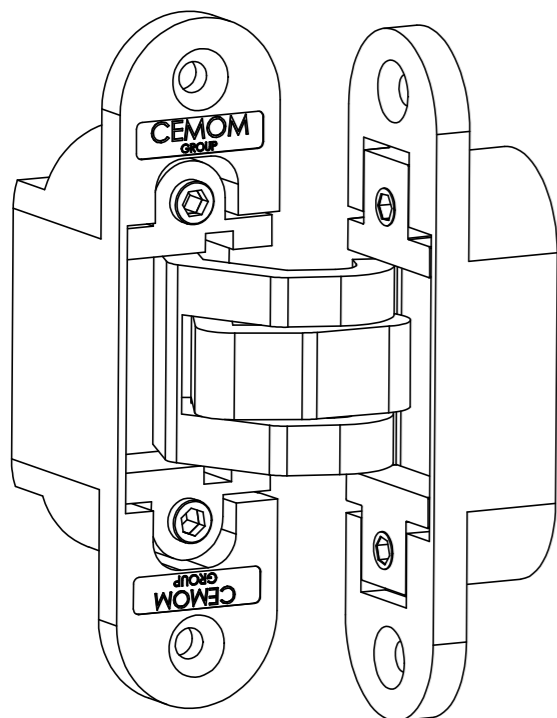


Bonaiti Lock
With Key Function
(Cylinder Option)



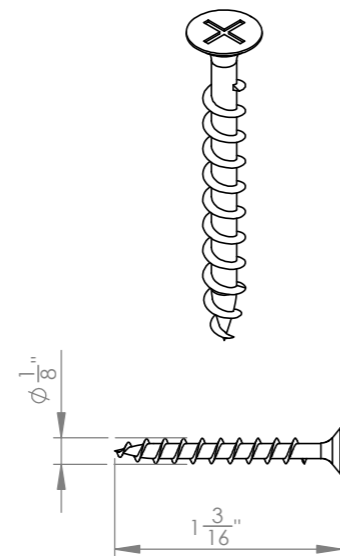
CONCEALED HINGE

Polsoft Estetic 80

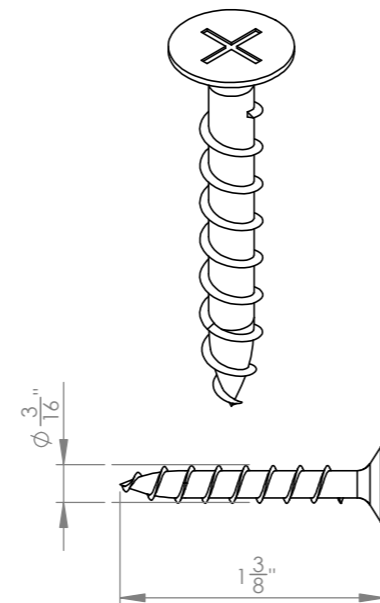


SCREWS

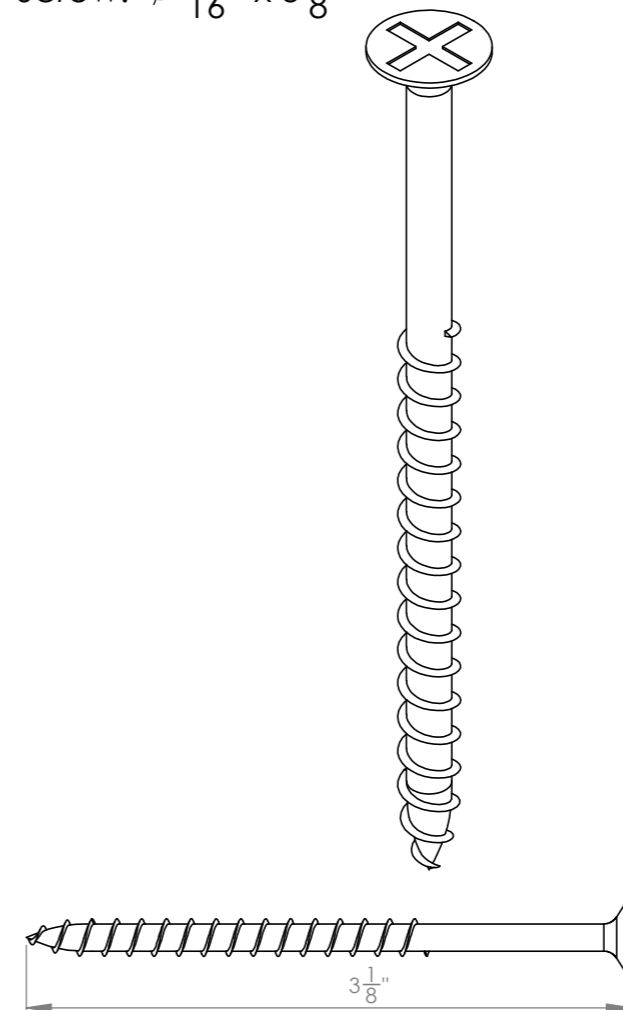
Screw: $\phi \frac{1}{8}'' \times 1 \frac{3}{16}''$



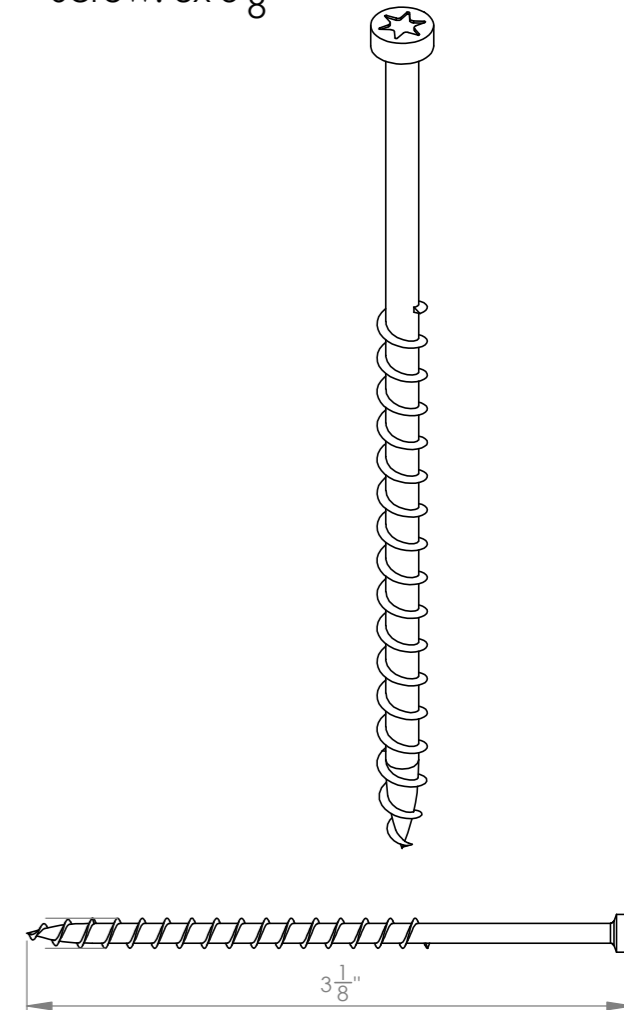
Screw: $\phi \frac{3}{16}'' \times 1 \frac{3}{8}''$



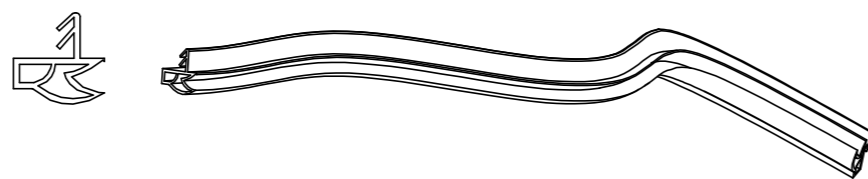
Screw: $\phi \frac{3}{16}'' \times 3 \frac{1}{8}''$

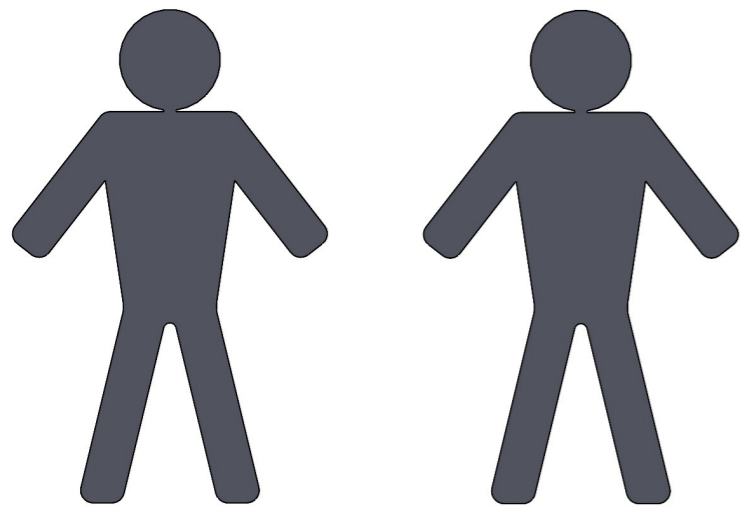


Screw: $8 \times 3 \frac{1}{8}''$

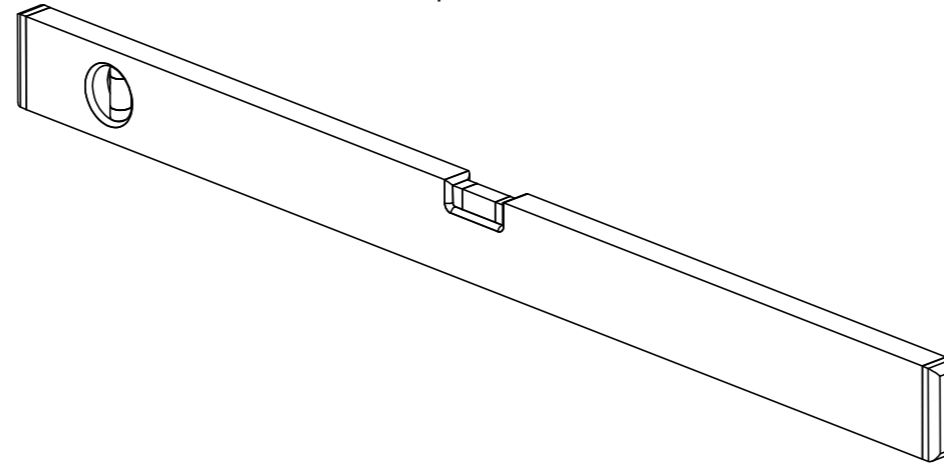


Gasket

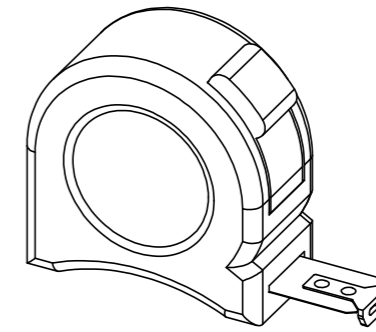




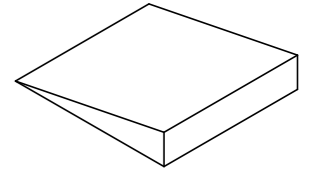
Spirit Level



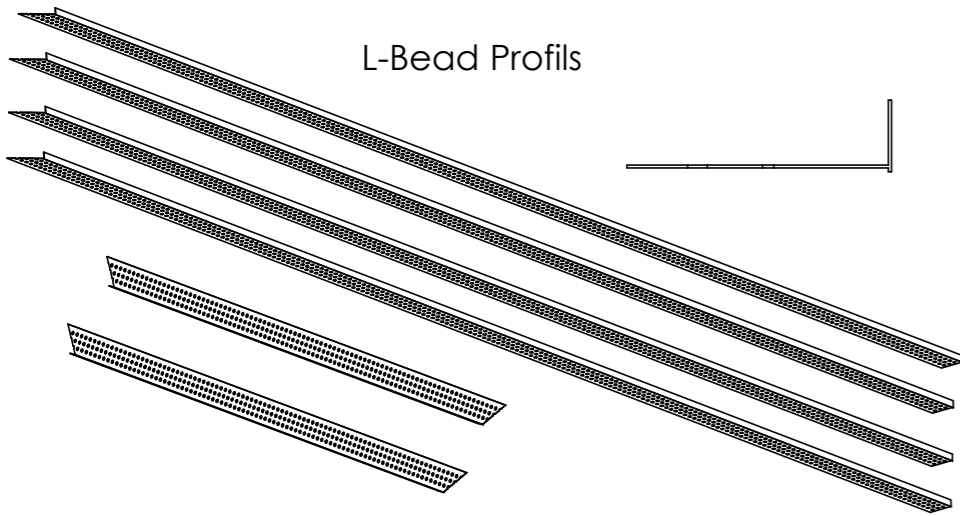
Measure Tape



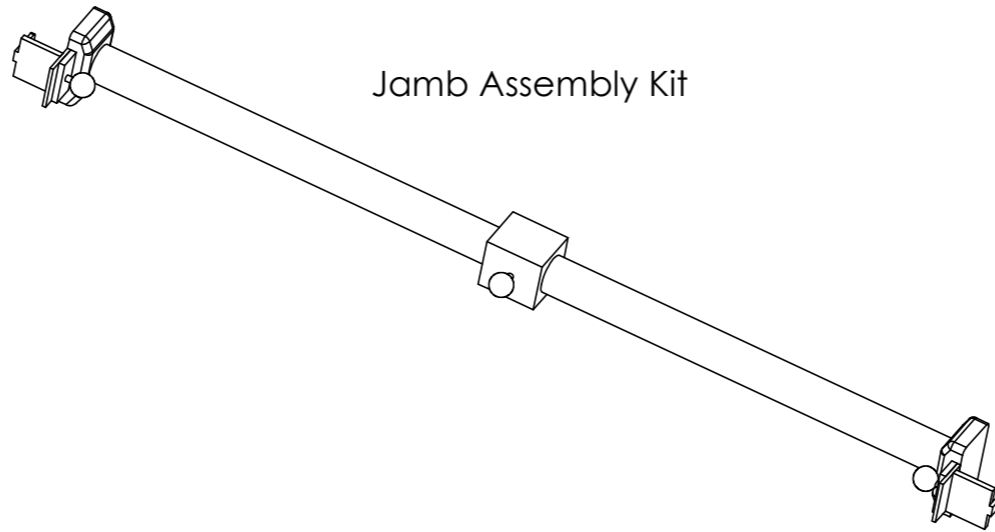
Shim



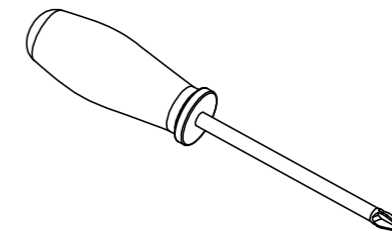
L-Bead Profils



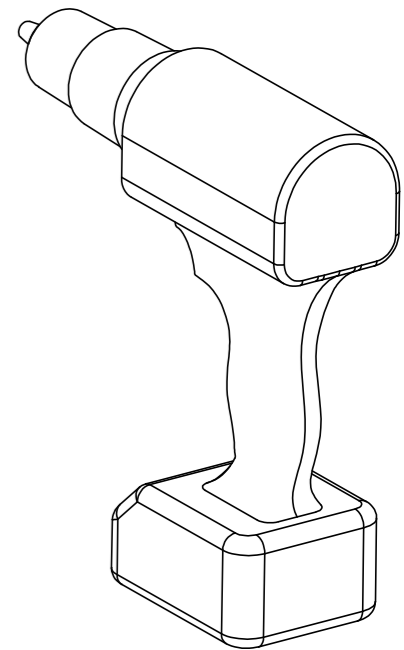
Jamb Assembly Kit



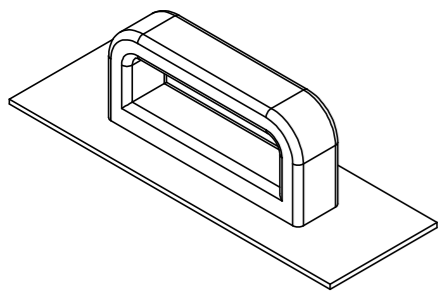
Screwdriver



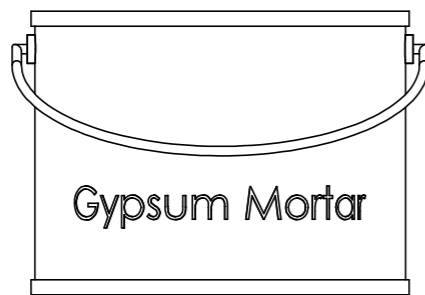
Impact Driver



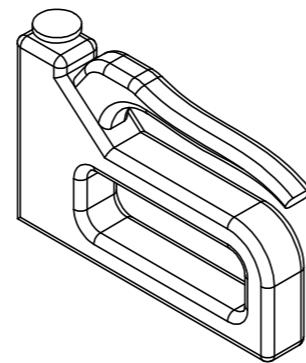
Trowel



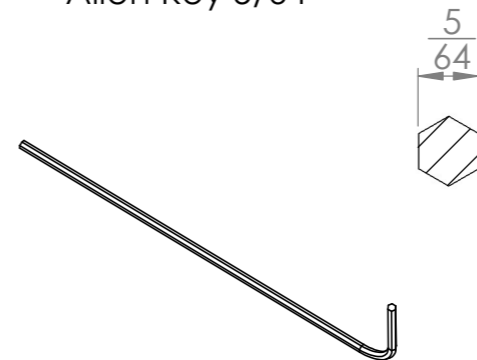
Gypsum Mortar



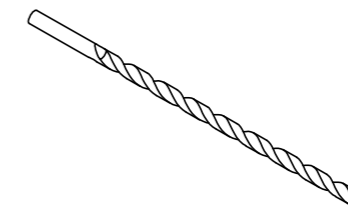
Taker



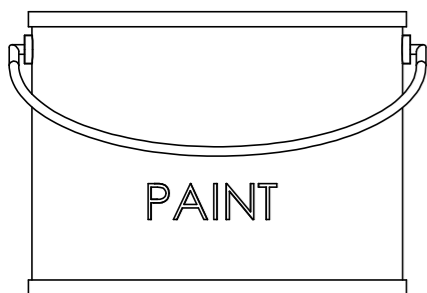
Allen Key 5/64"



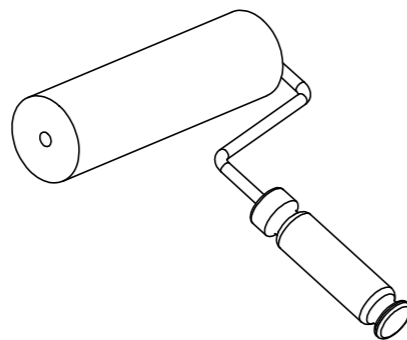
Drill



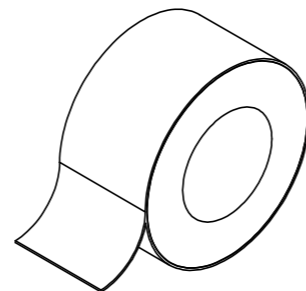
Paint



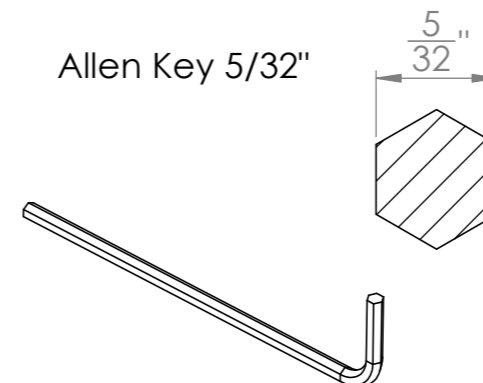
Paint Roller



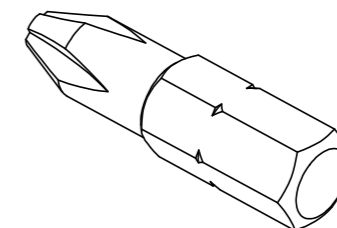
Protective Tape



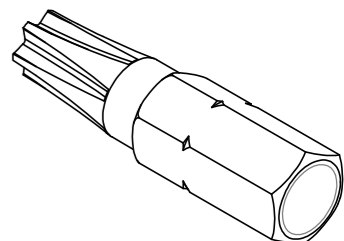
Allen Key 5/32"



Screwdriver Bit

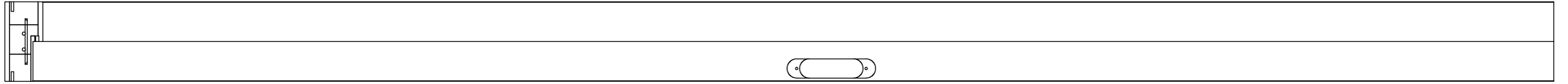


Torx T10

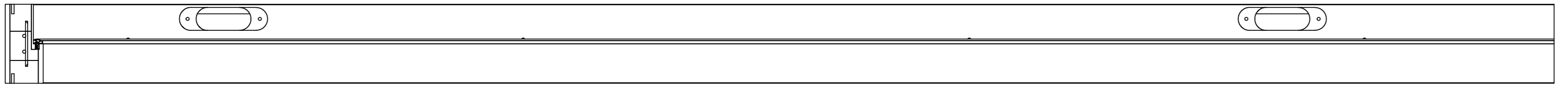


DOOR ELEMENTS

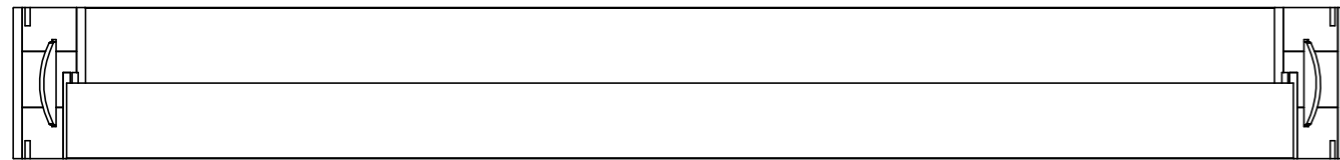
Jamb Leg With Lock Plate Preparation



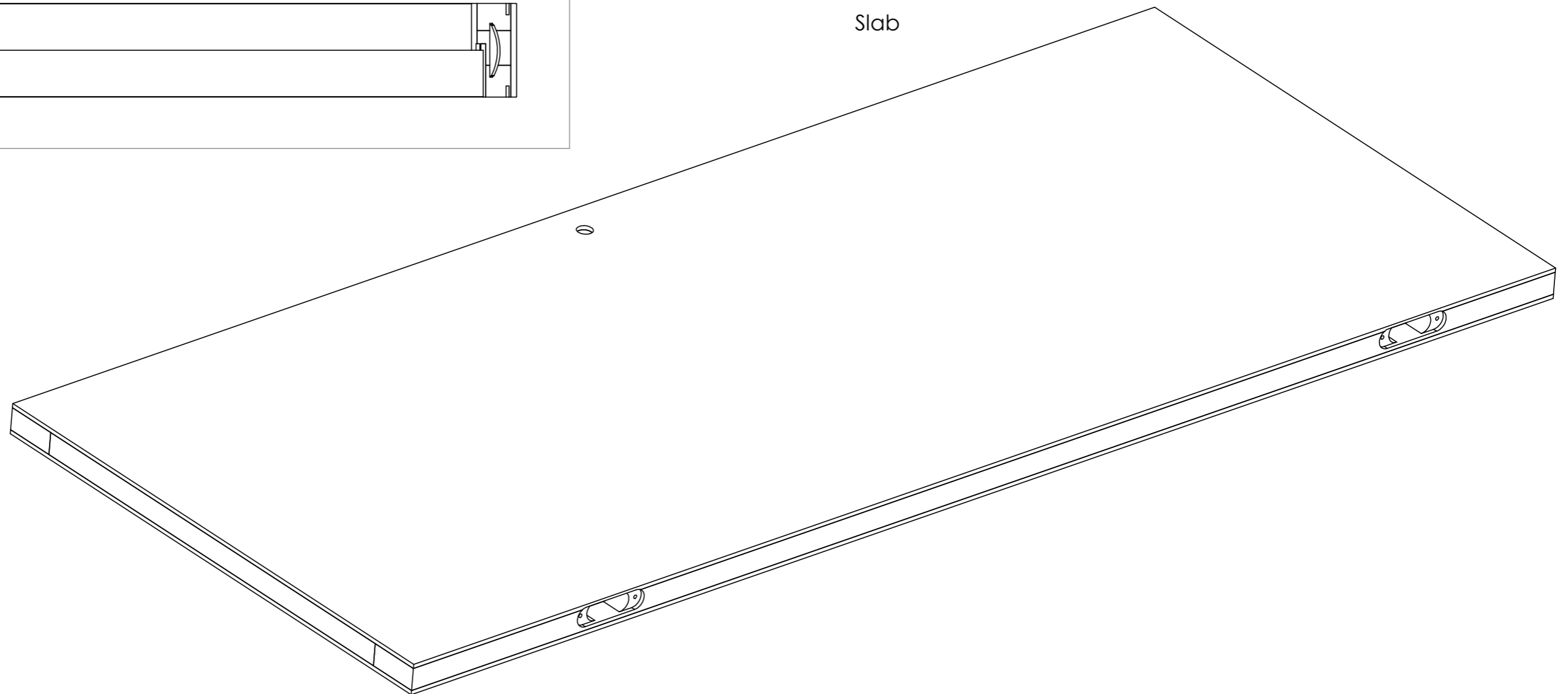
Jamb Leg With Hinge Preparation



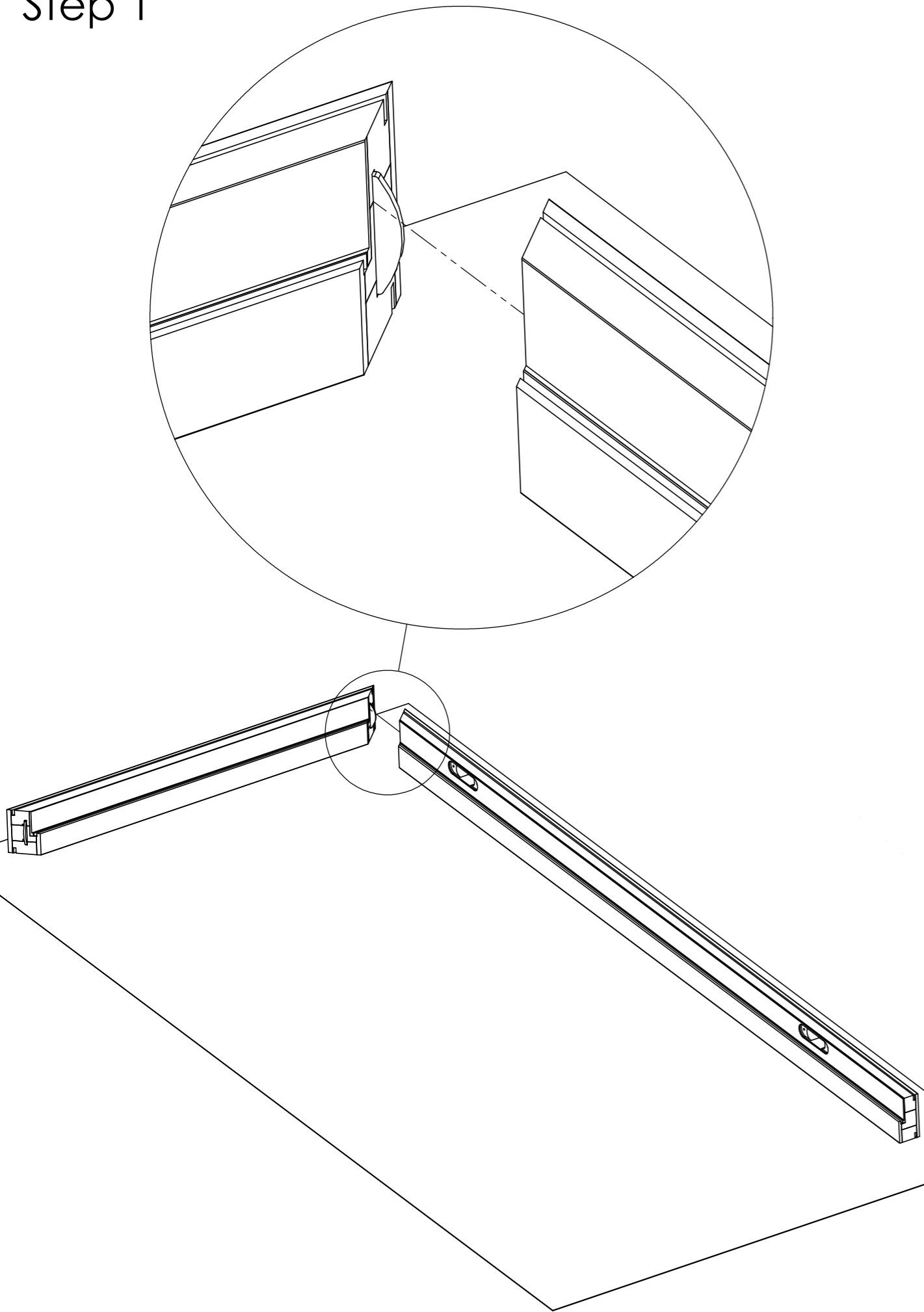
Jamb Head



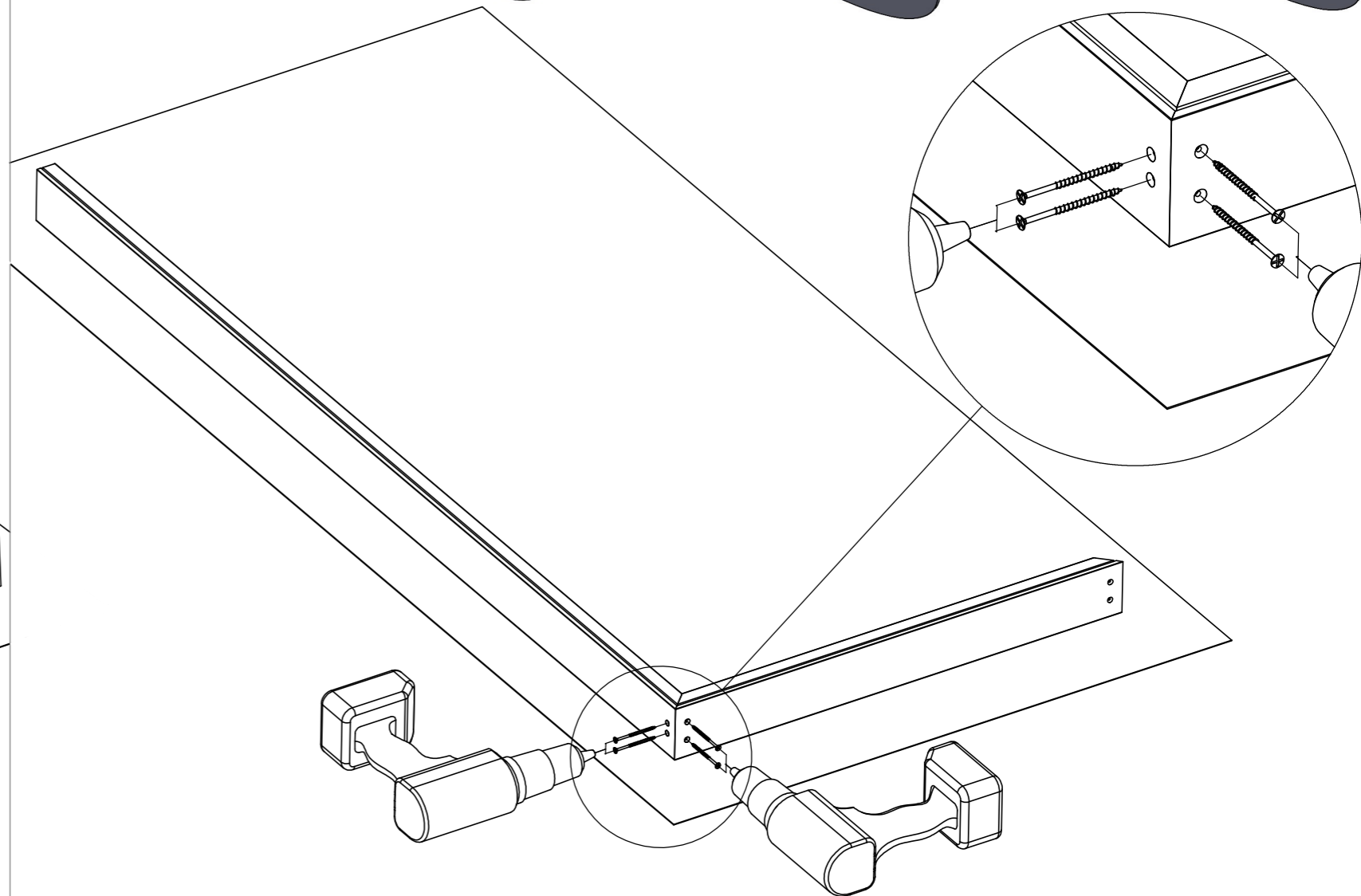
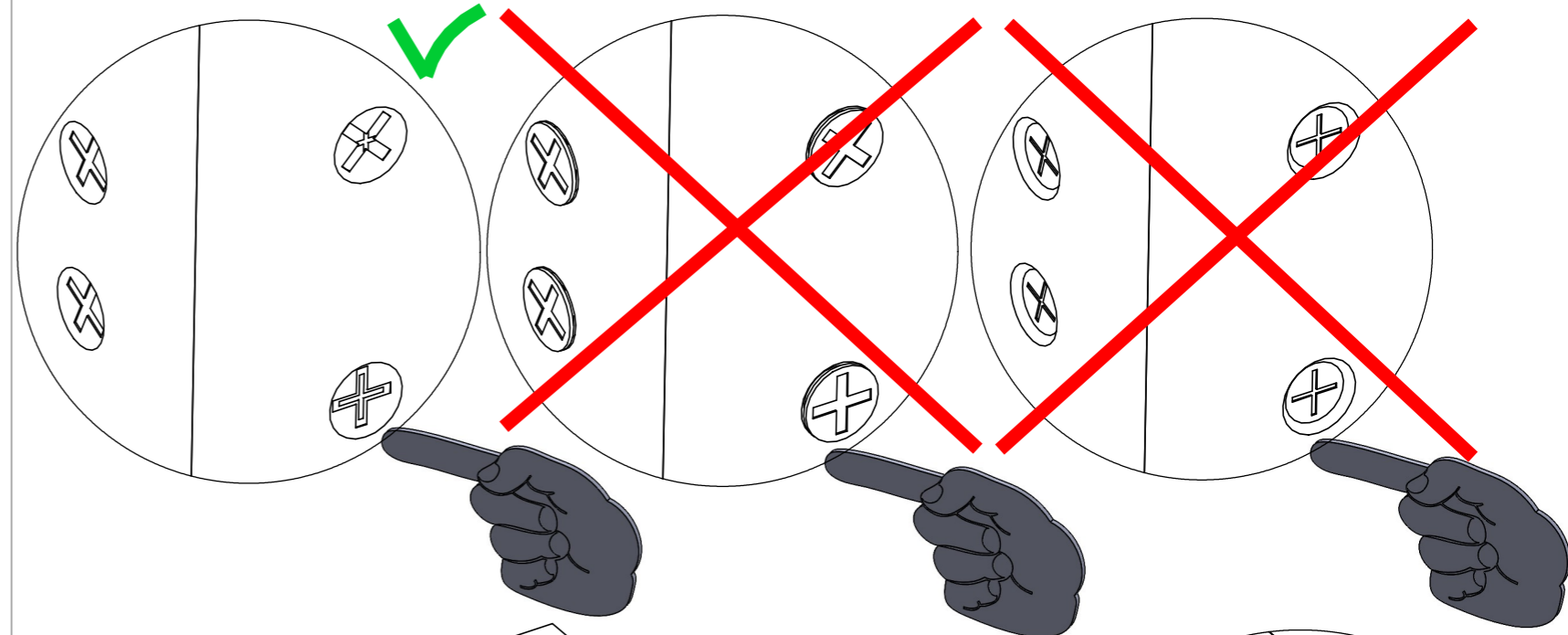
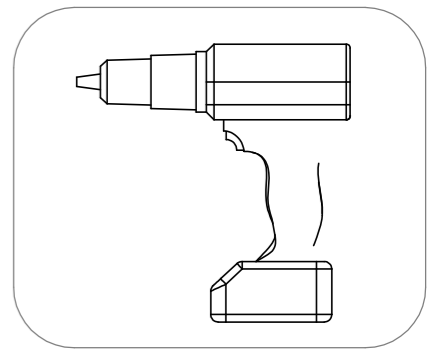
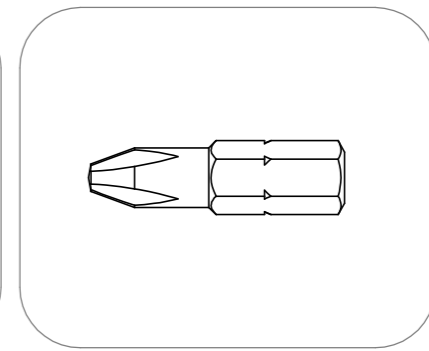
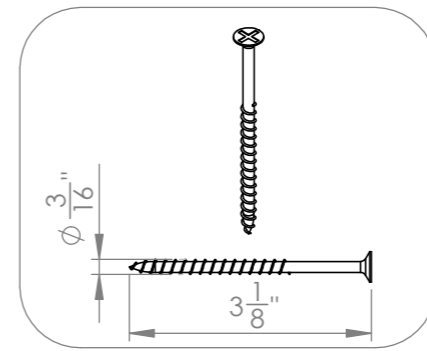
Slab



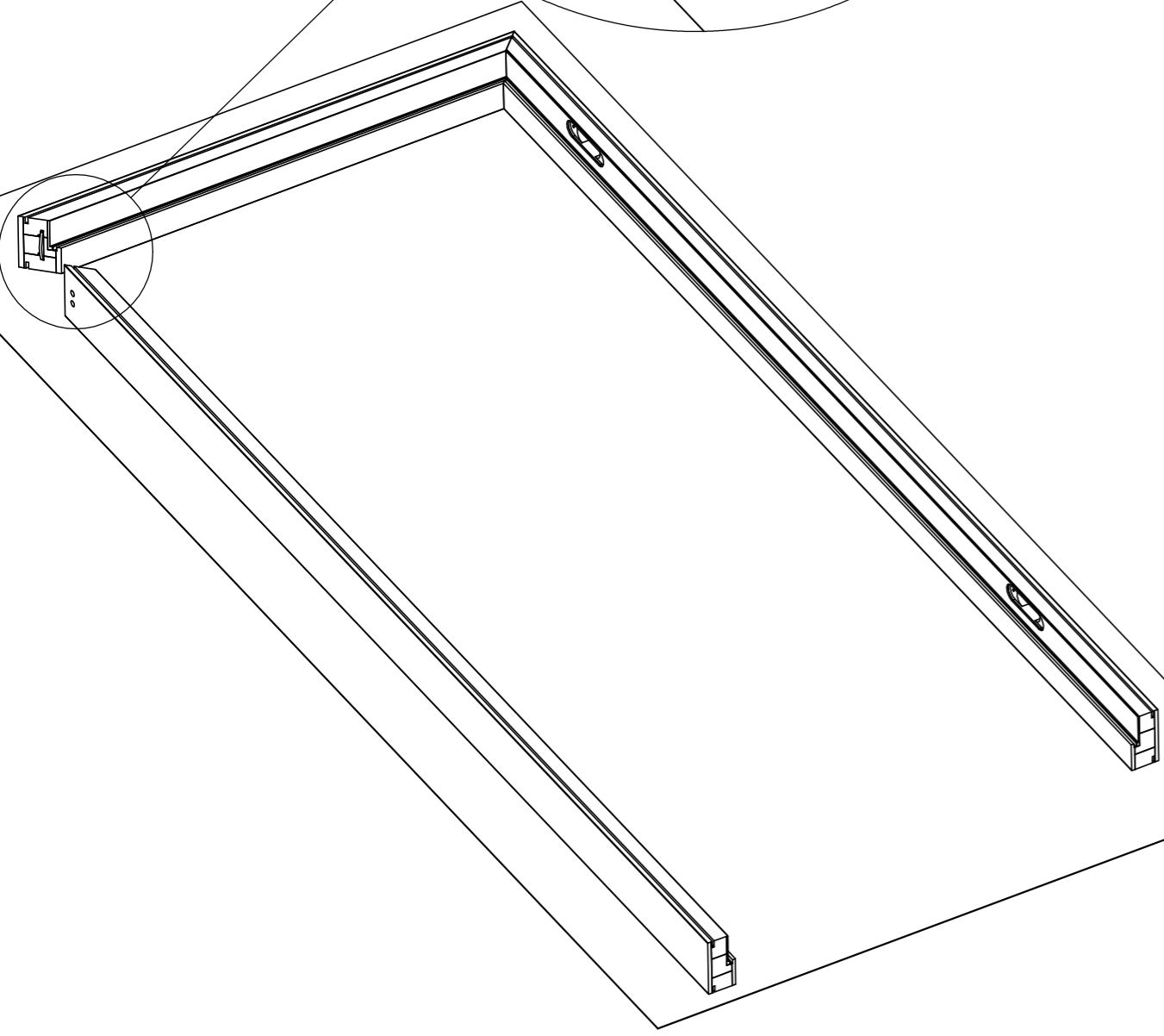
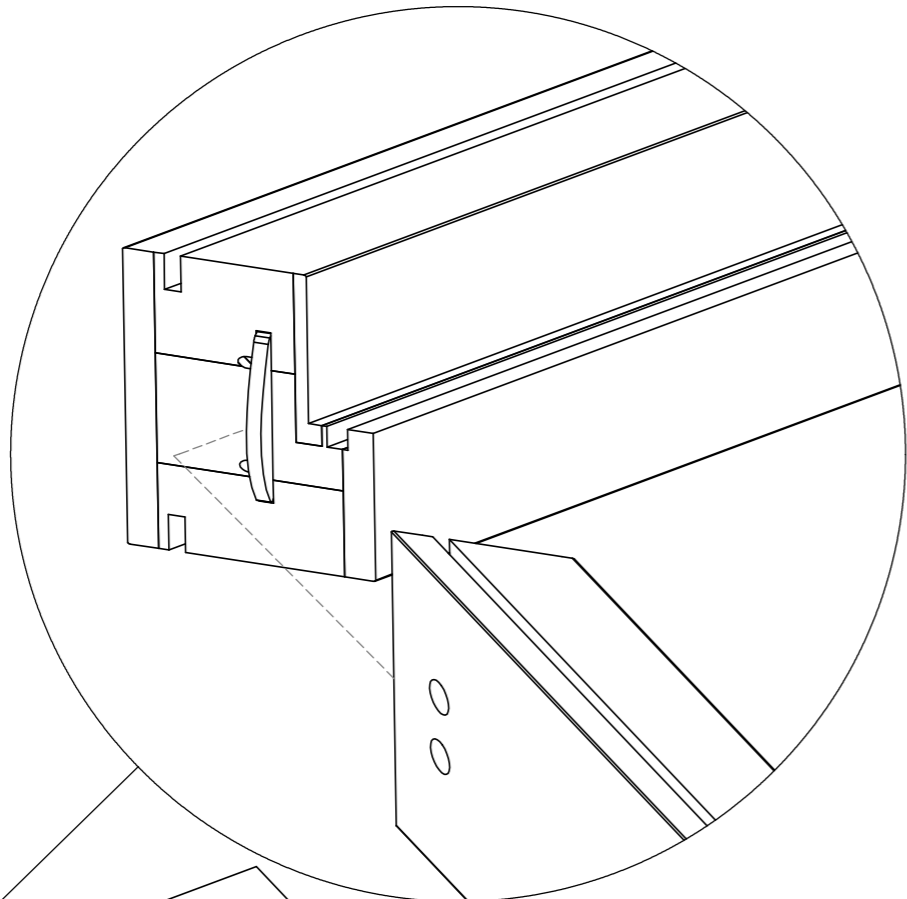
Step 1



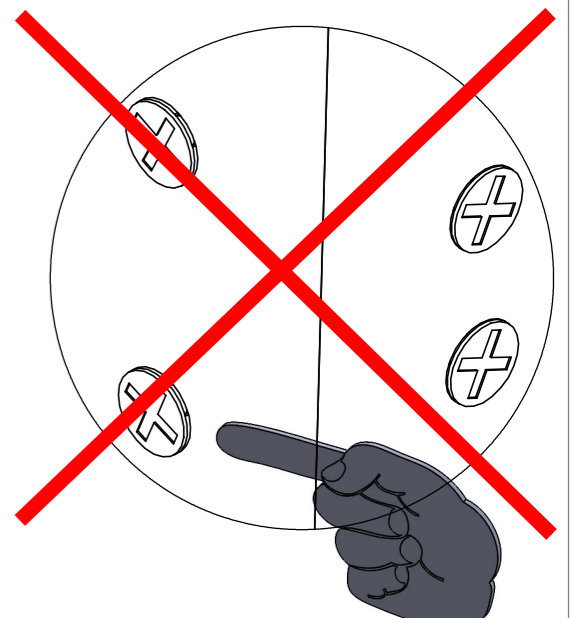
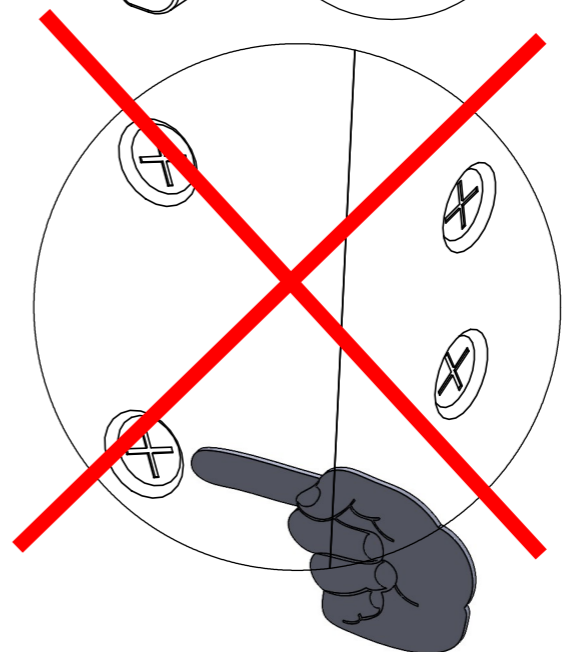
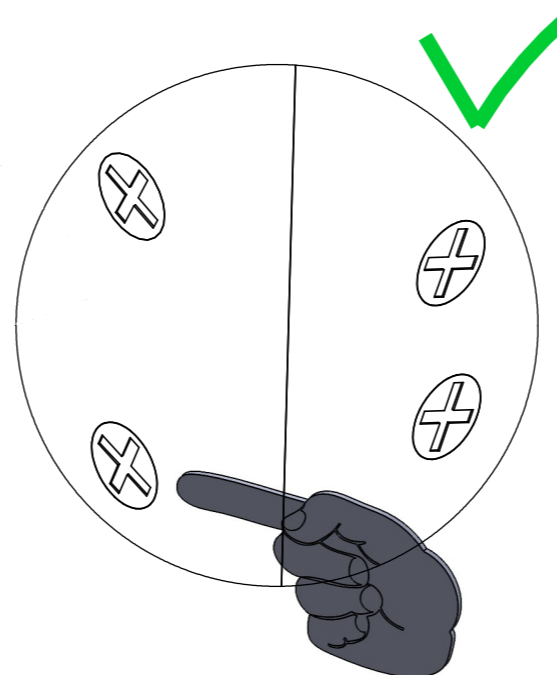
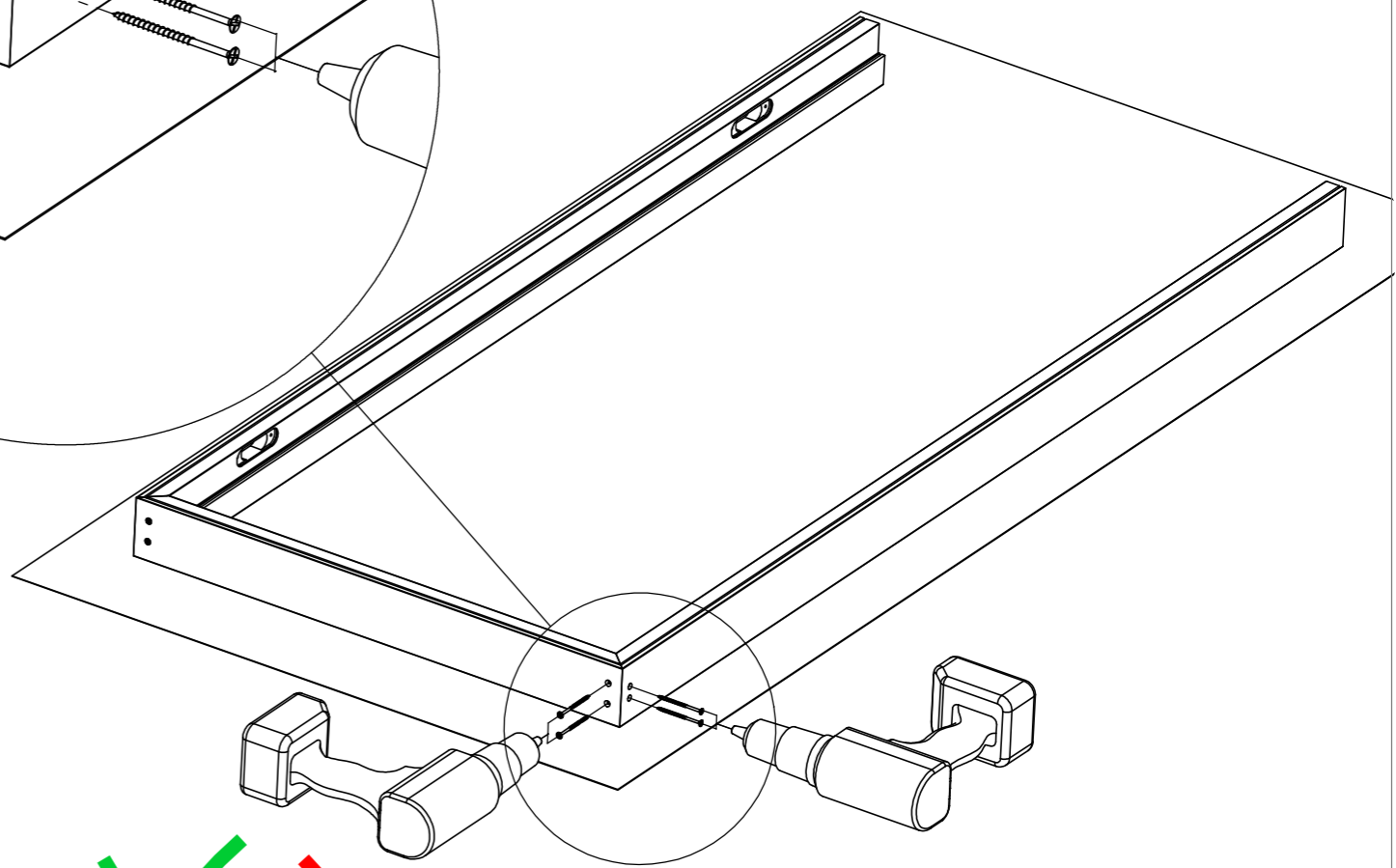
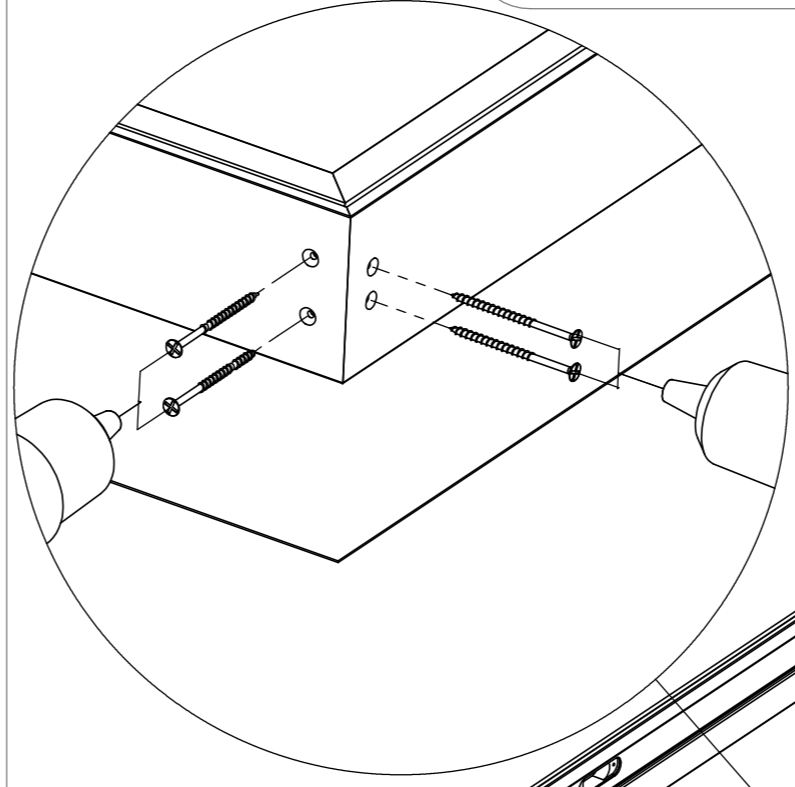
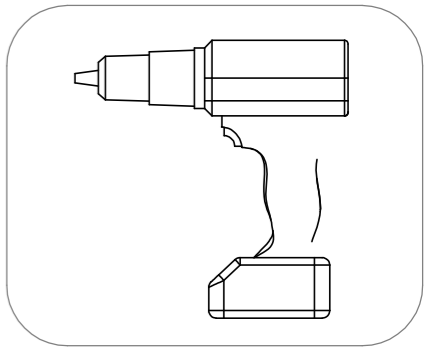
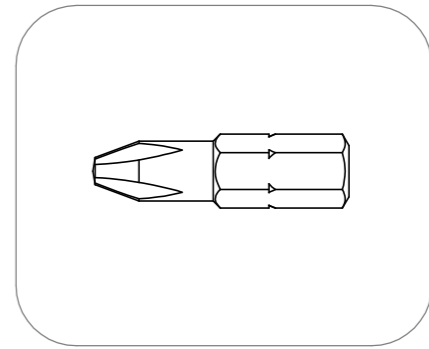
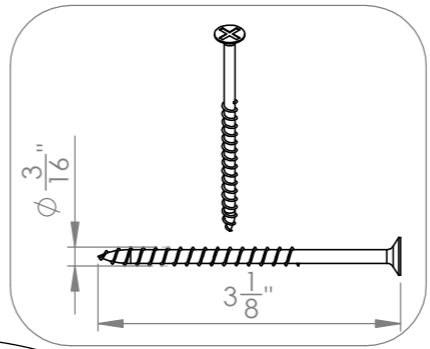
Step 2



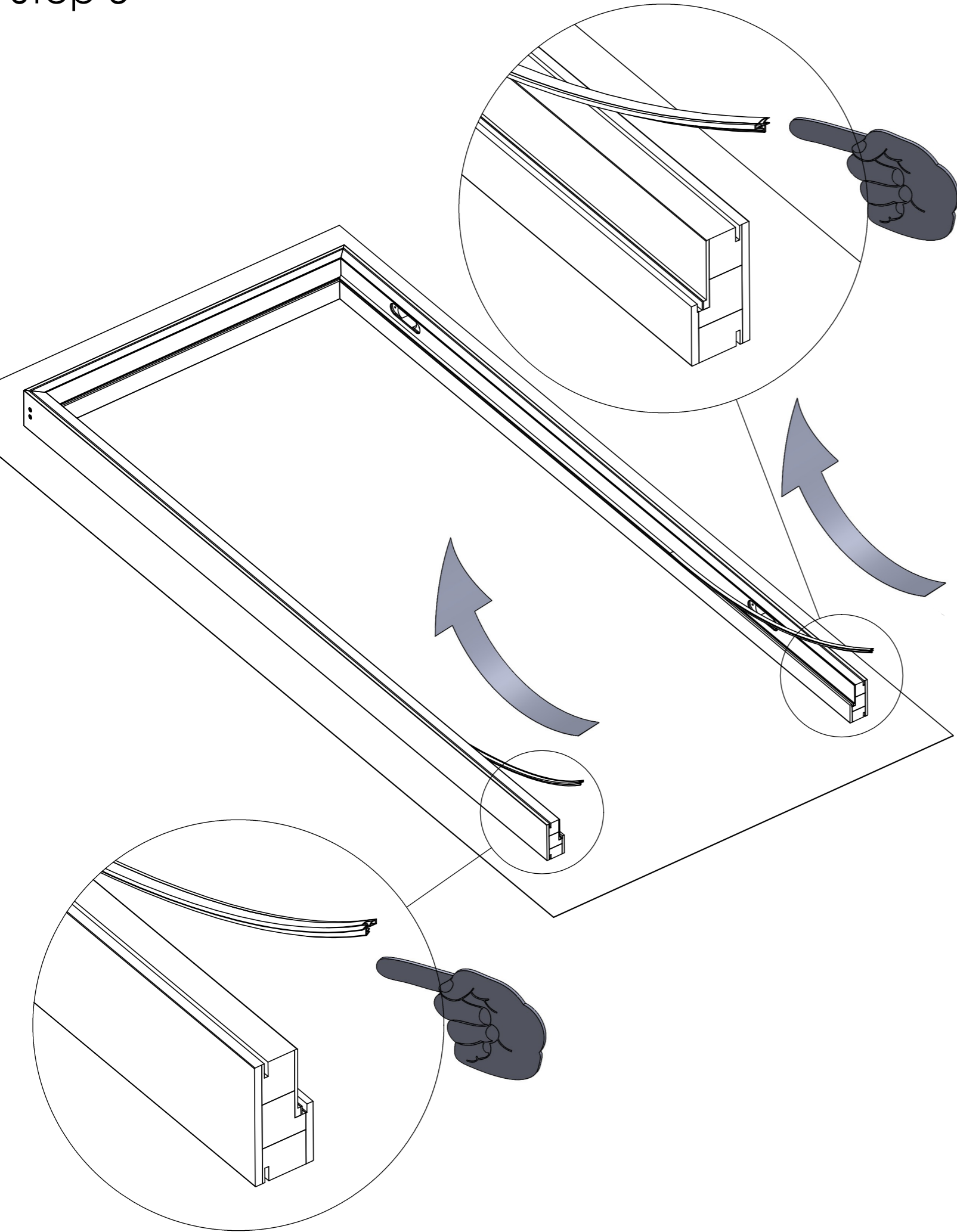
Step 3



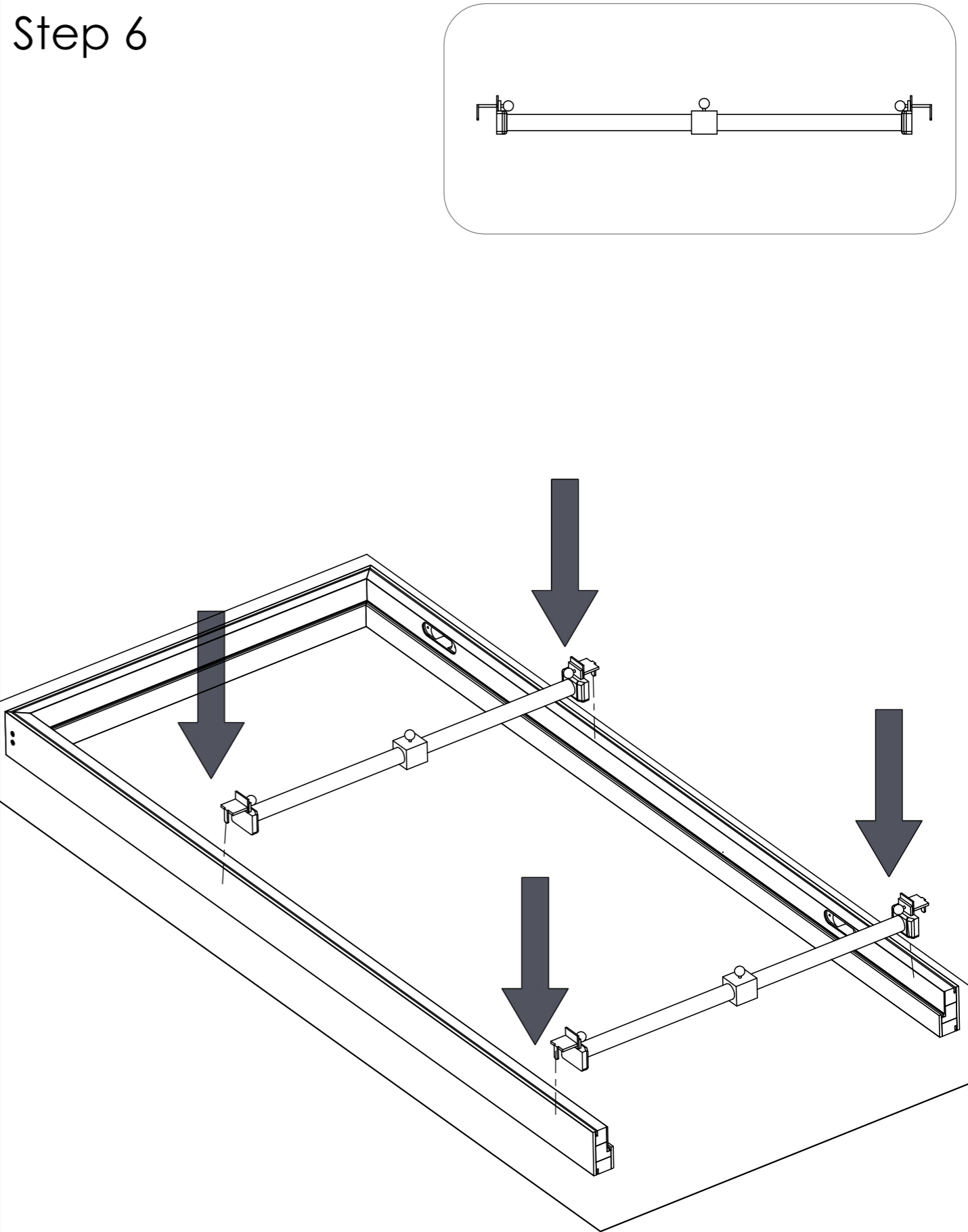
Step 4



Step 5



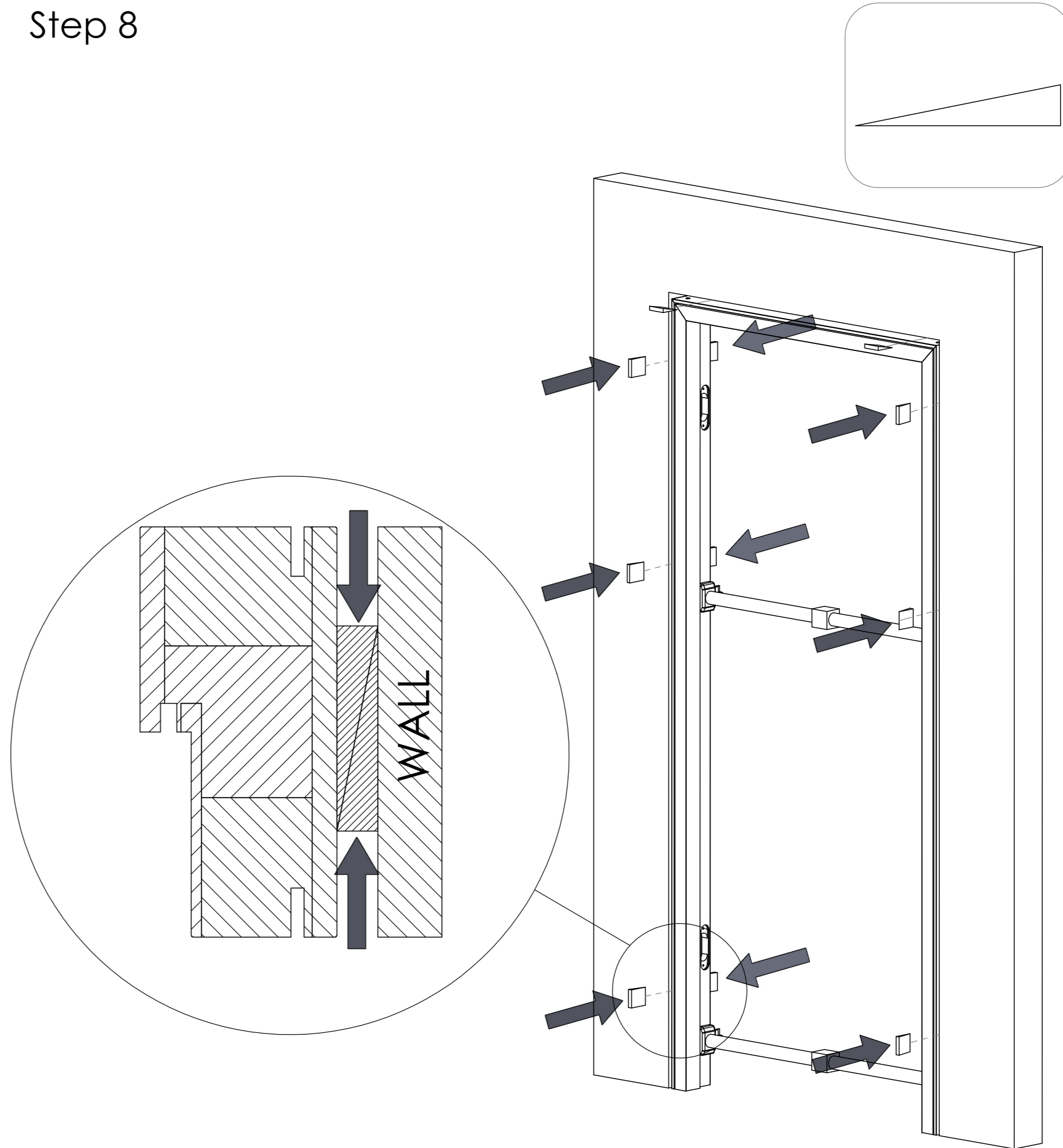
Step 6



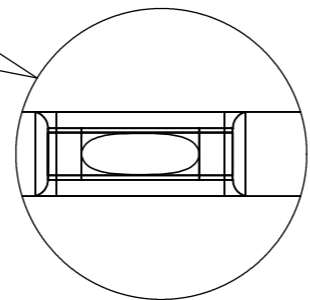
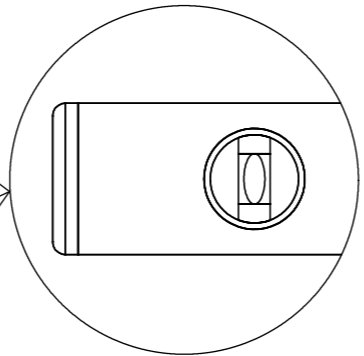
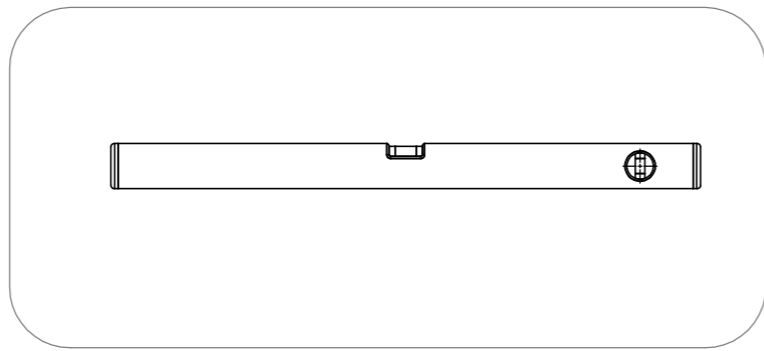
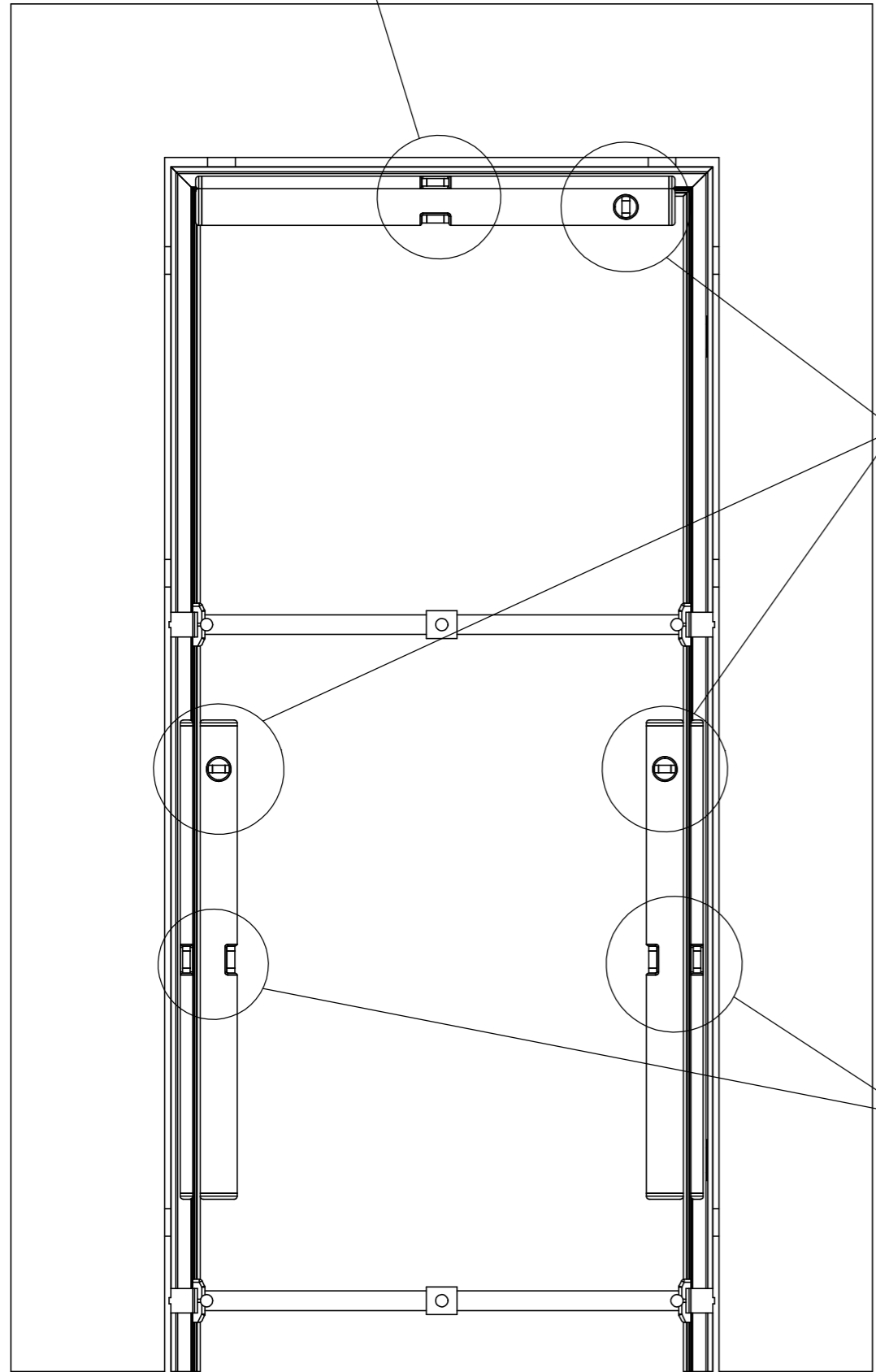
Step 7



Step 8

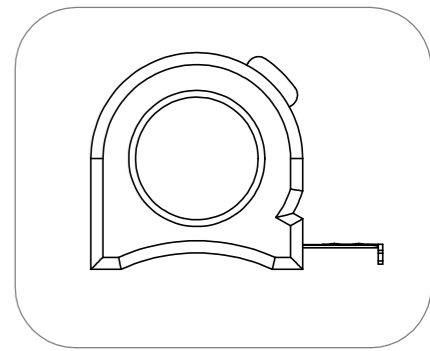


Step 9

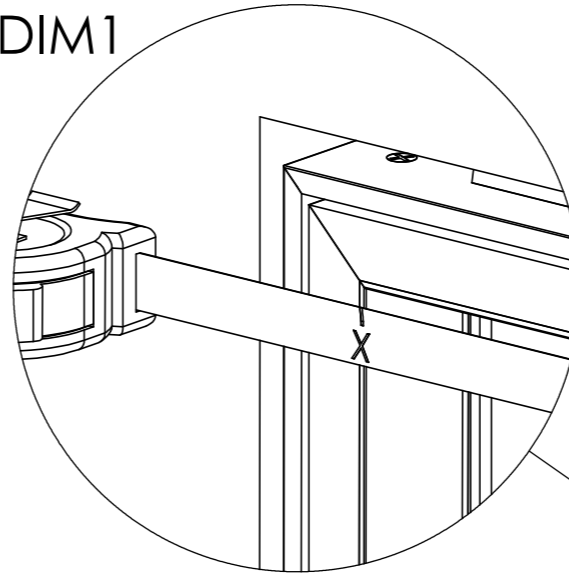


Step 10

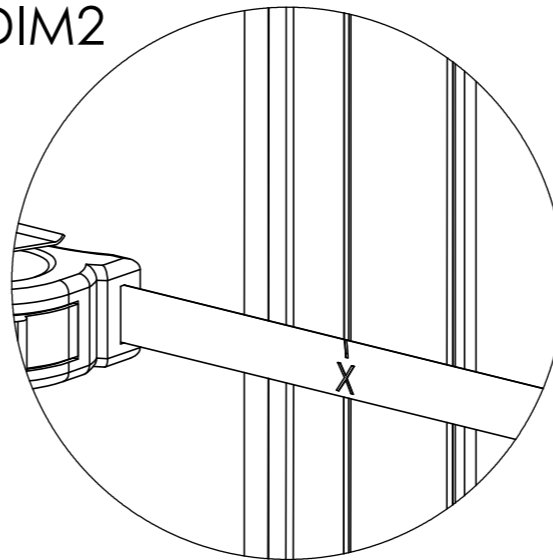
$DIM1 = DIM2 = DIM3$!!!



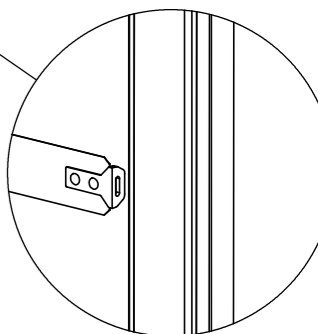
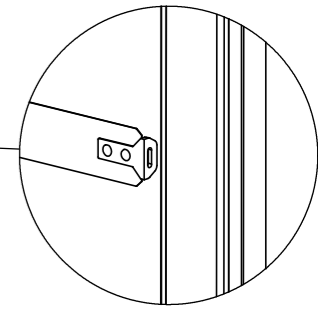
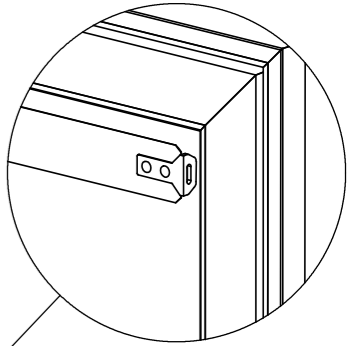
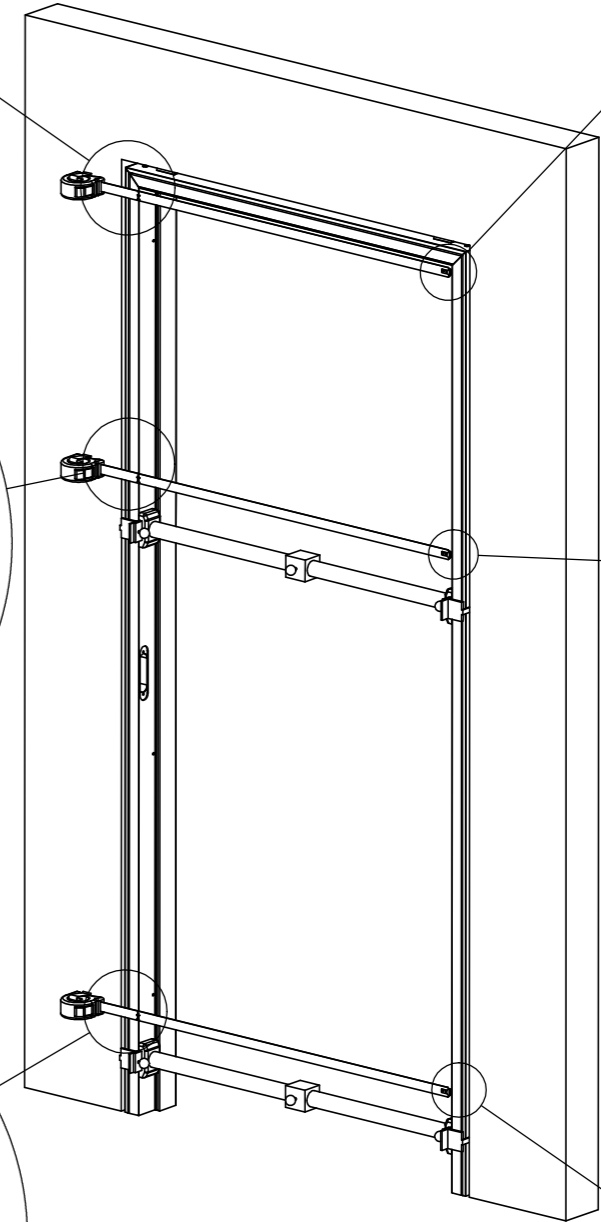
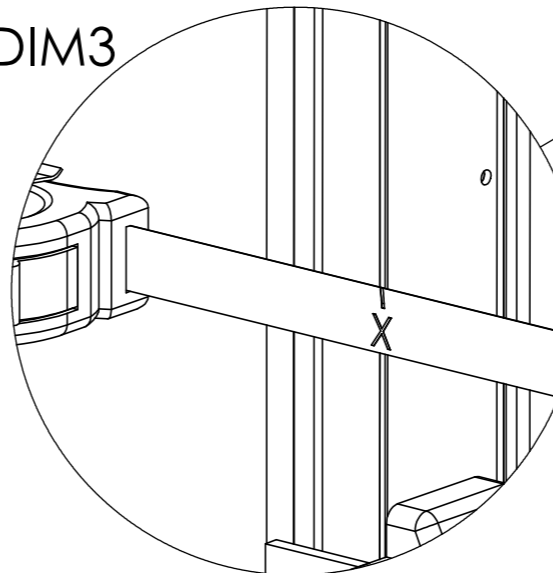
DIM1



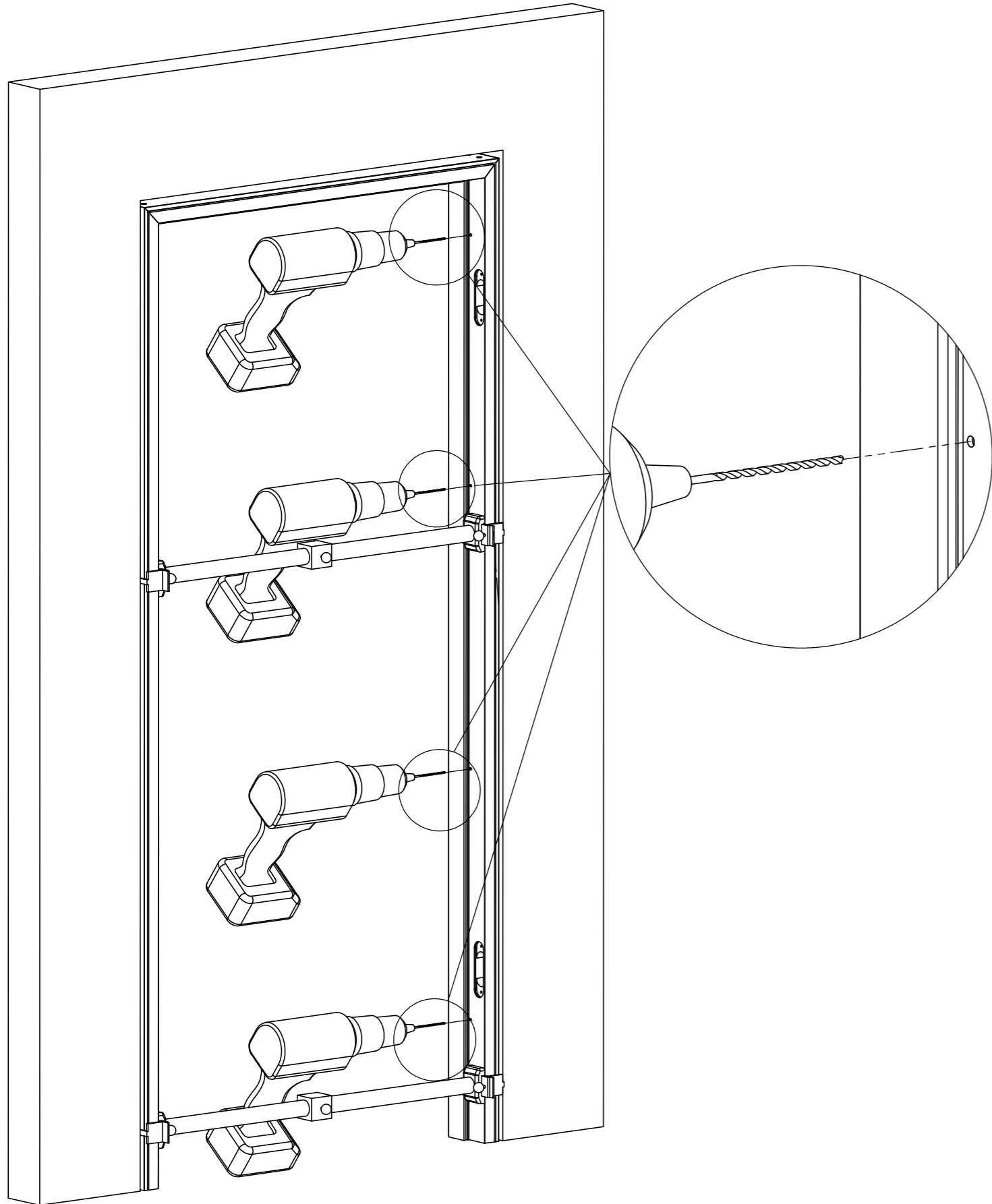
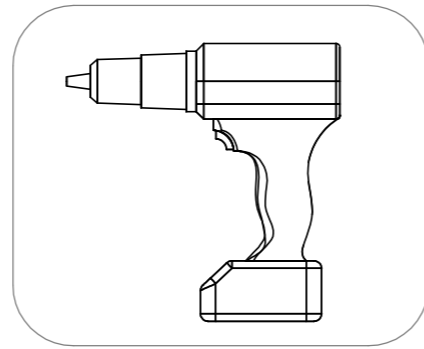
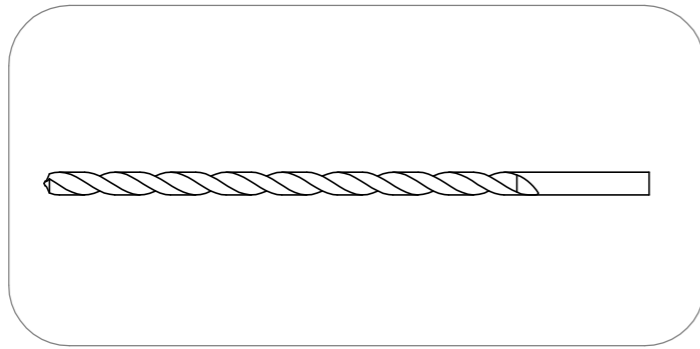
DIM2



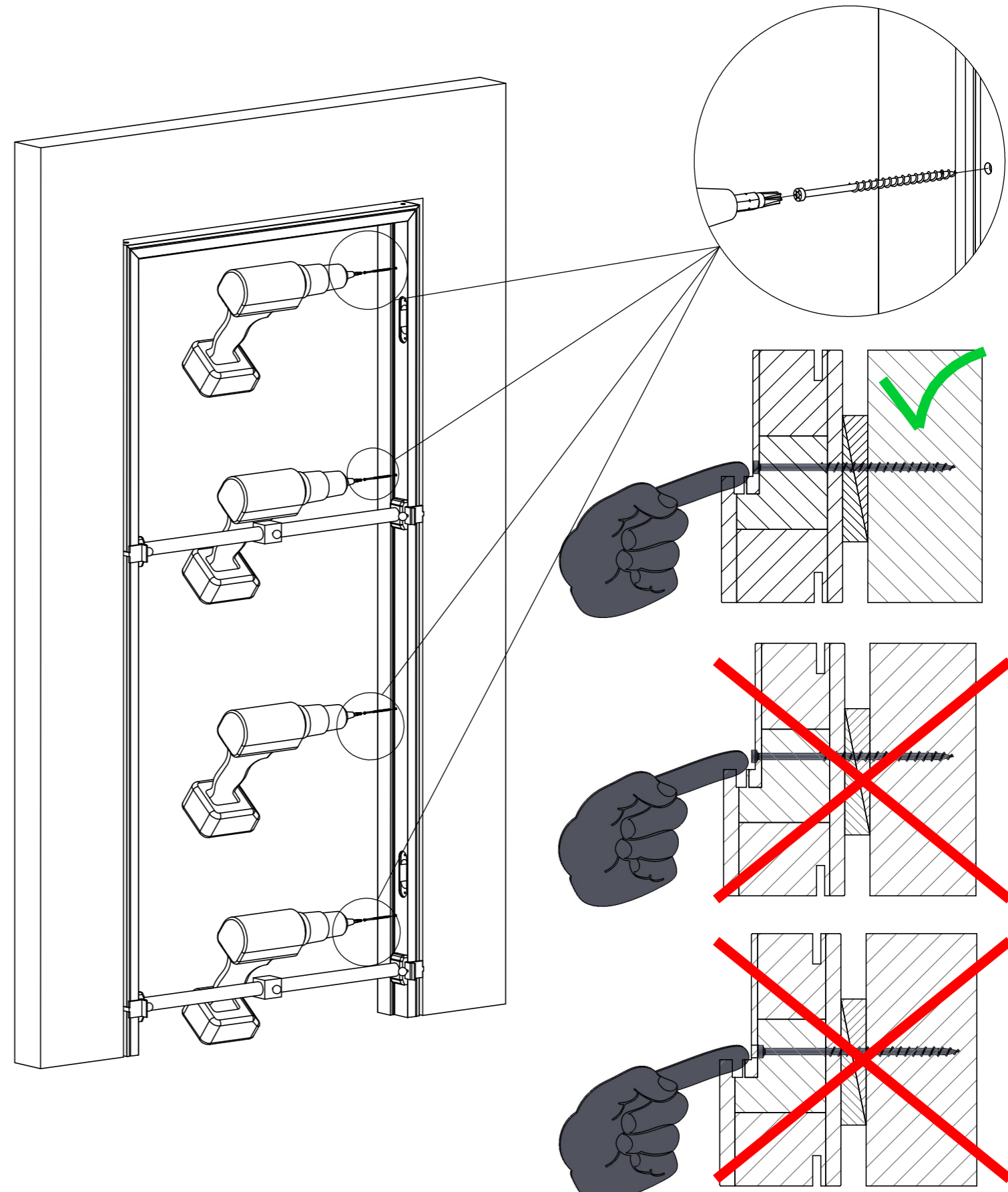
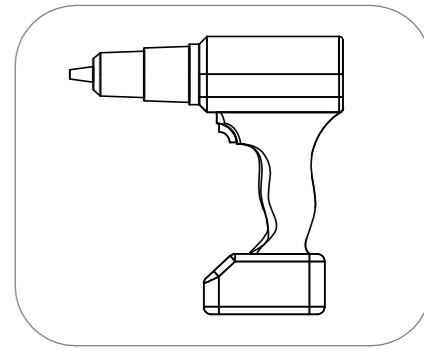
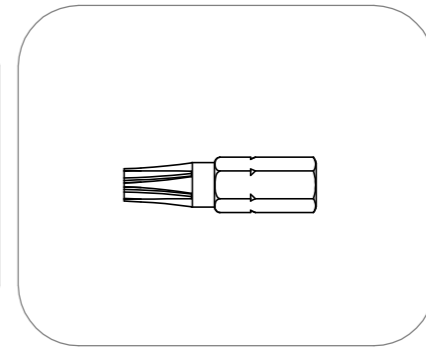
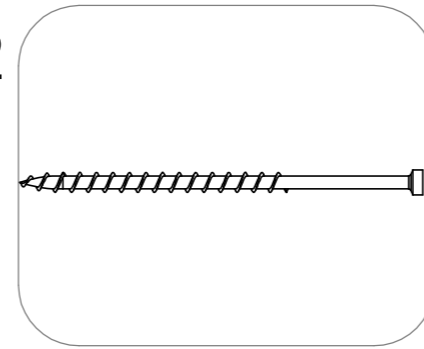
DIM3



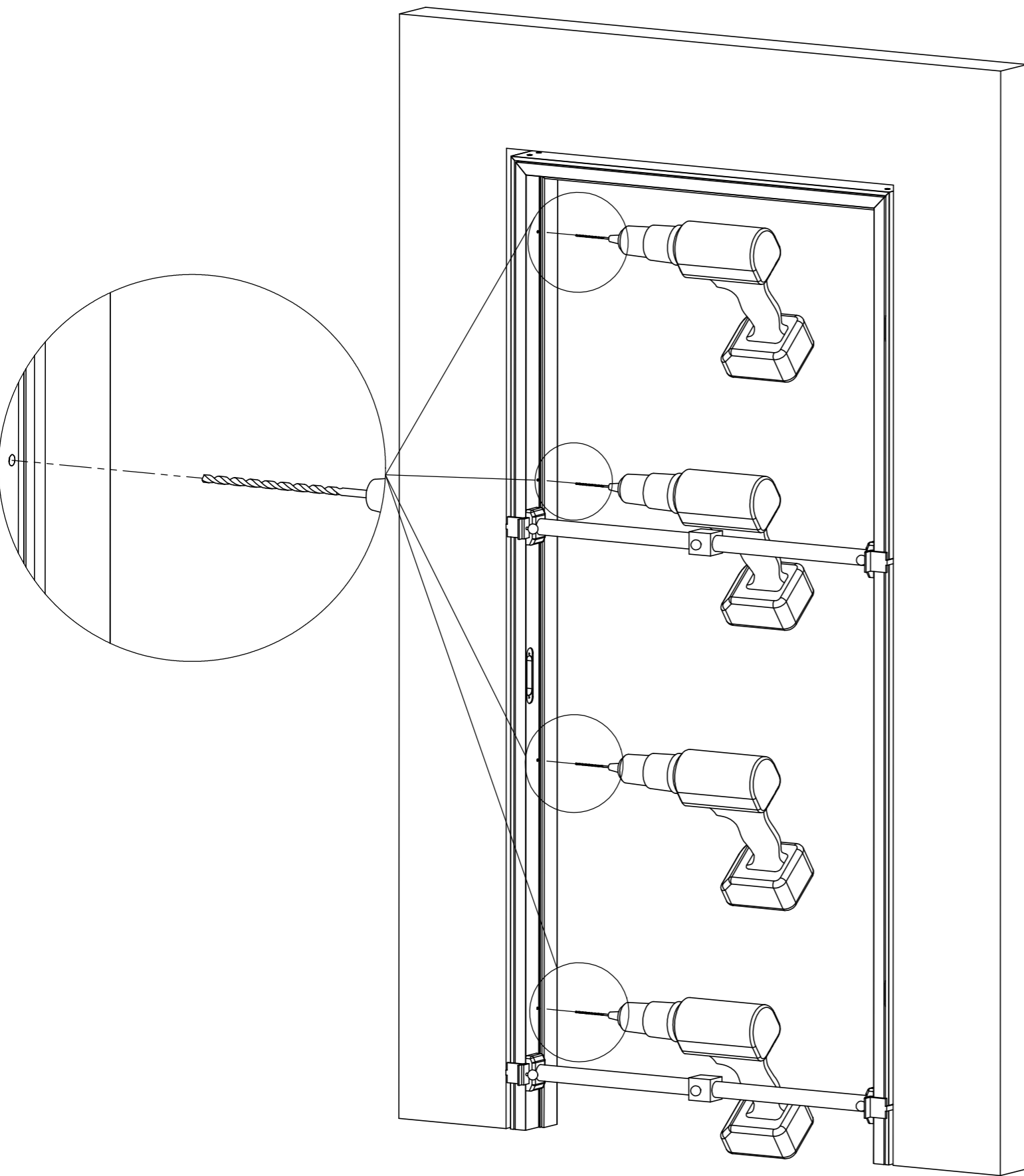
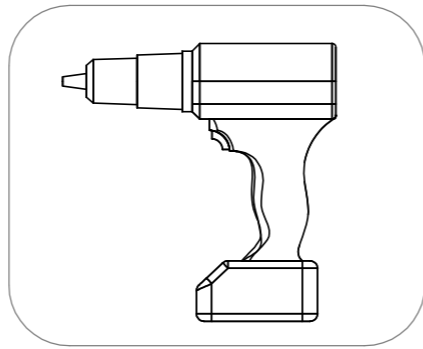
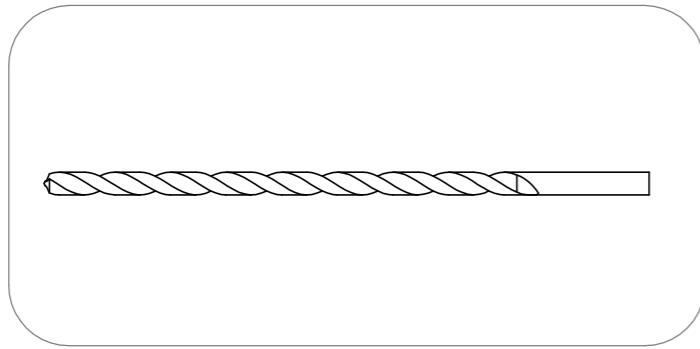
Step 11



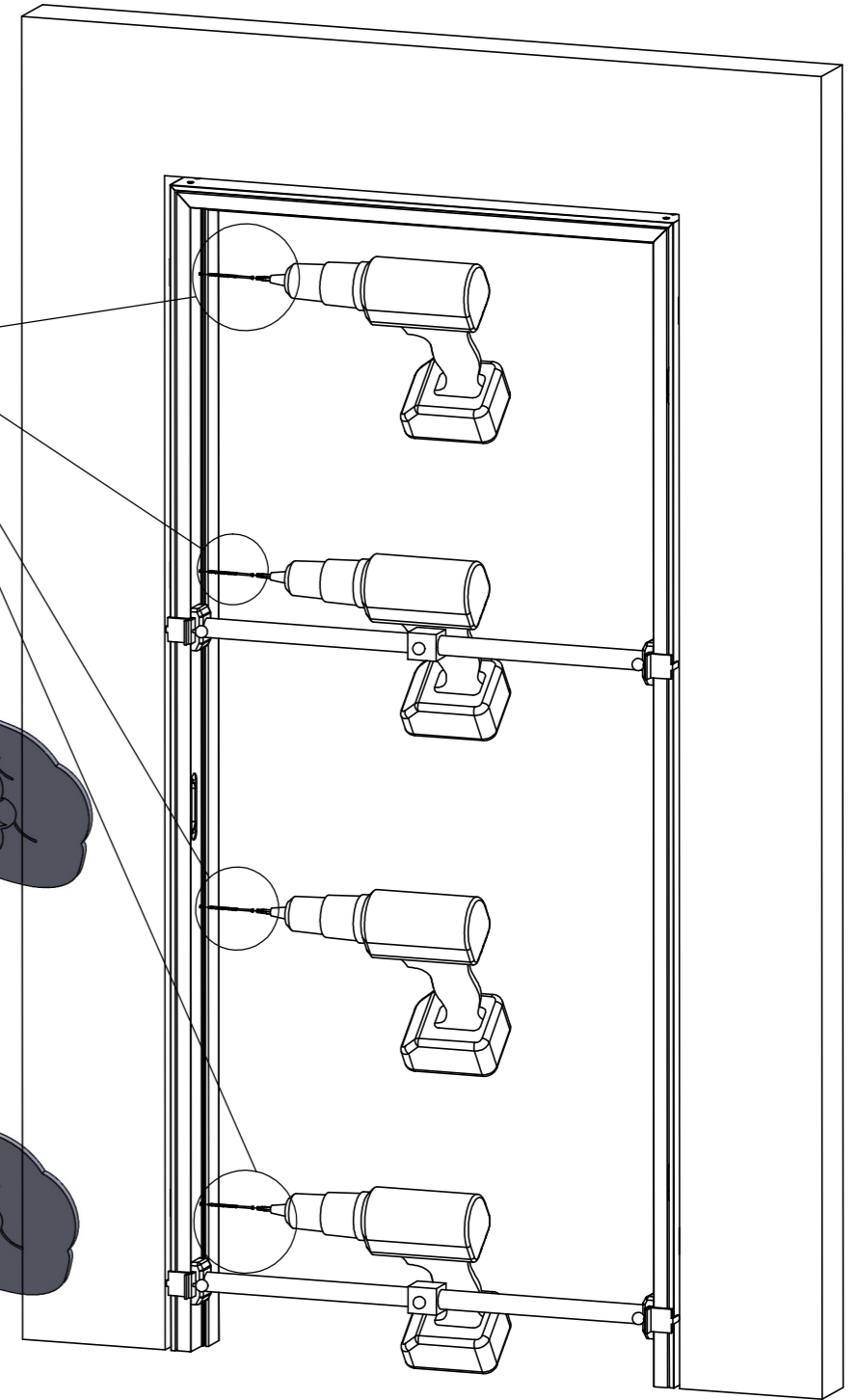
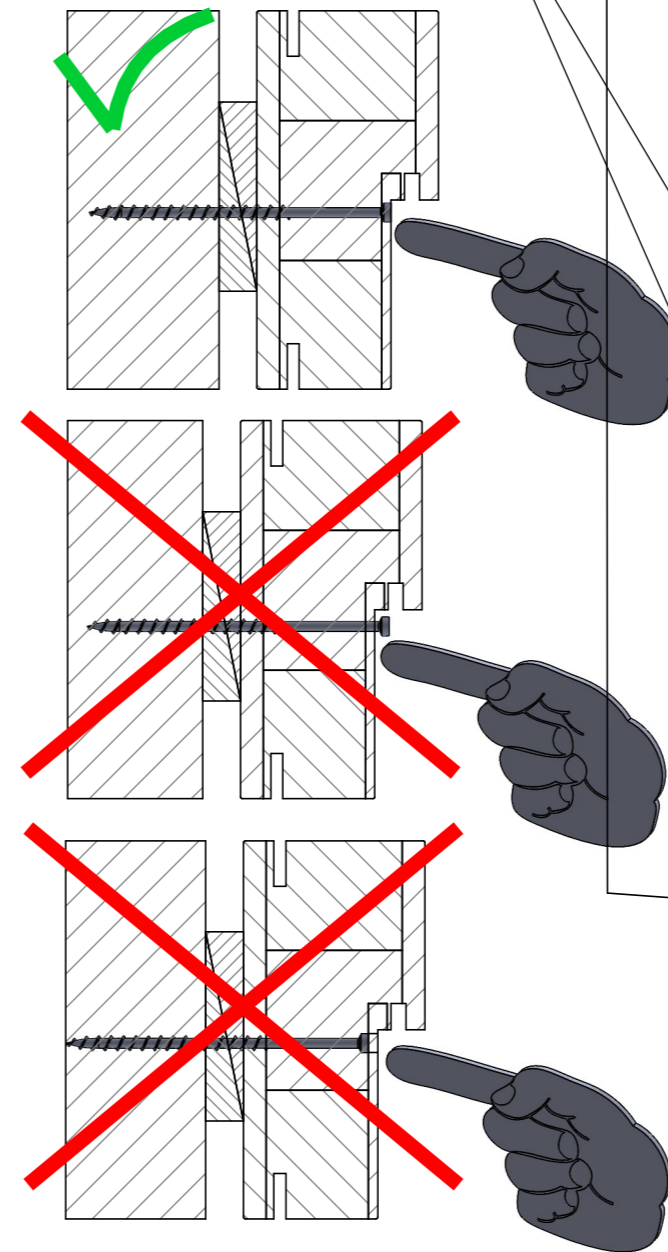
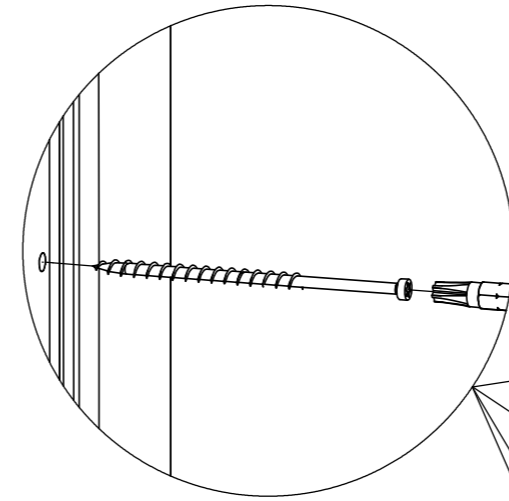
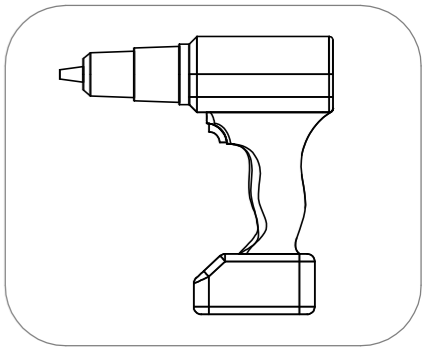
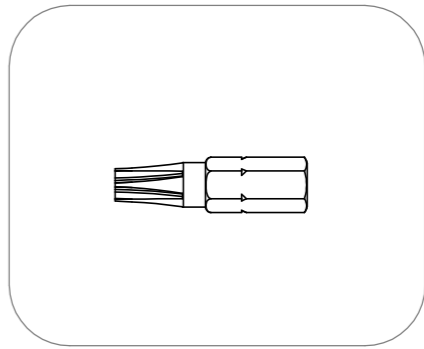
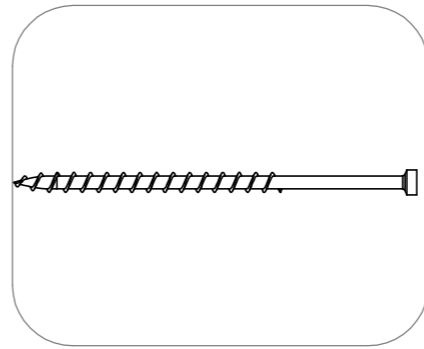
Step 12



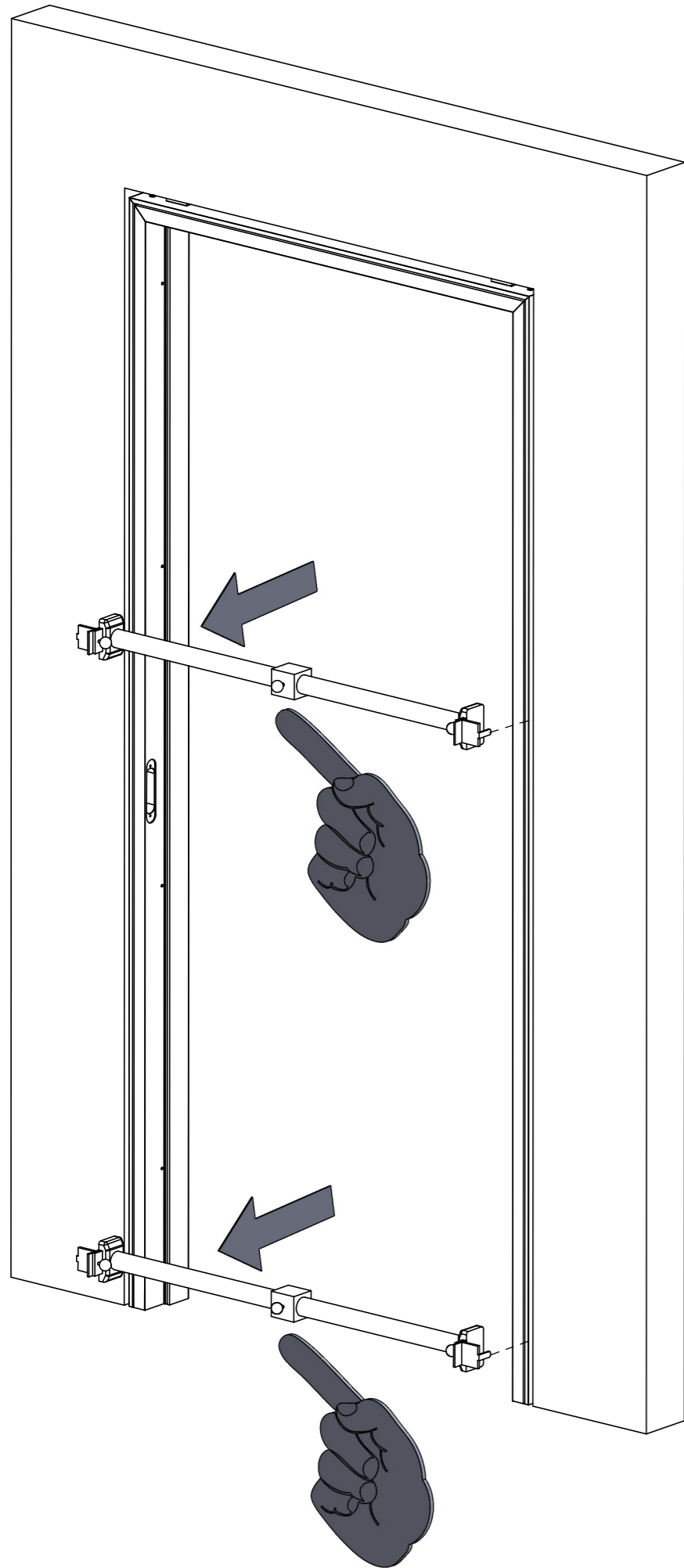
Step 13



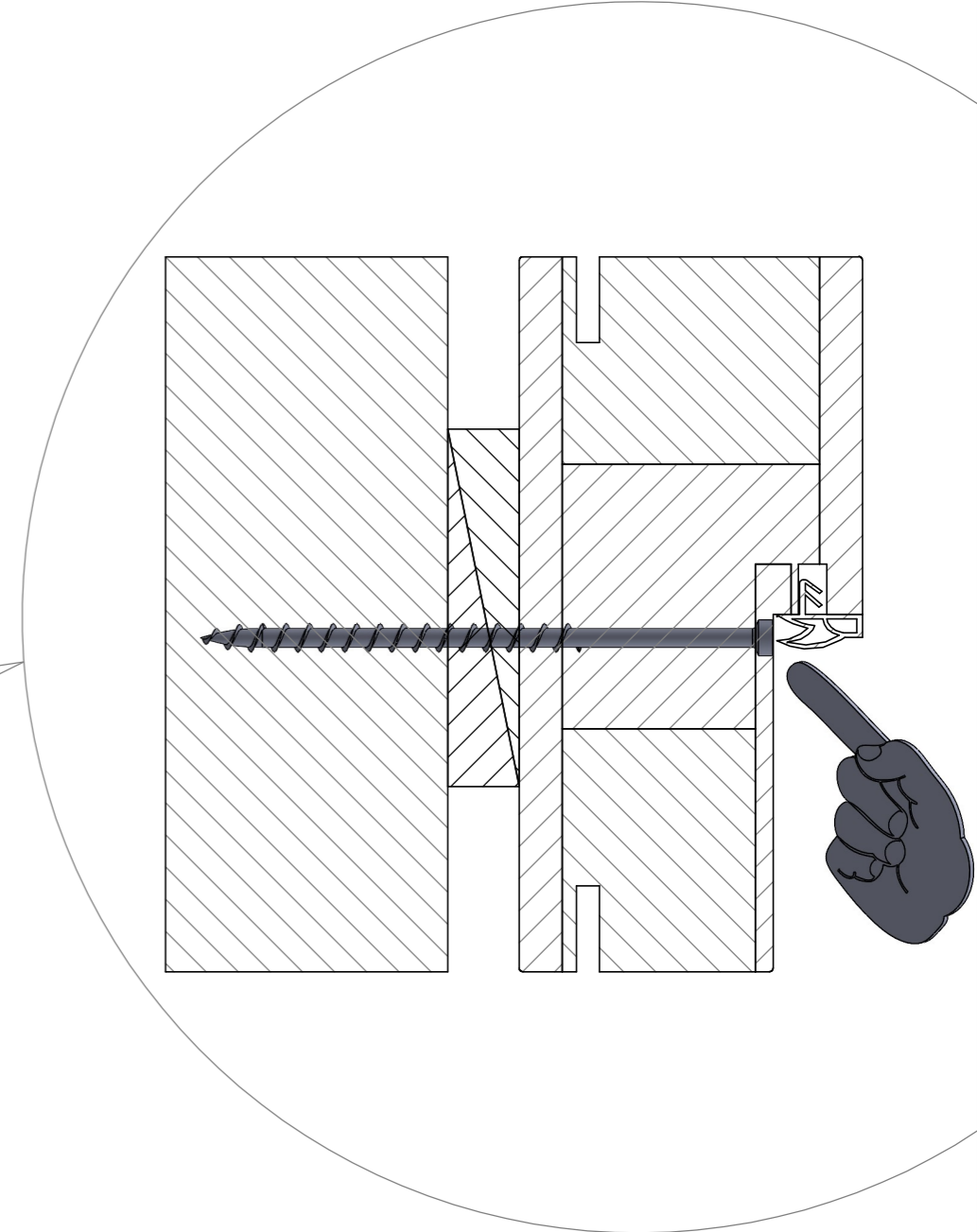
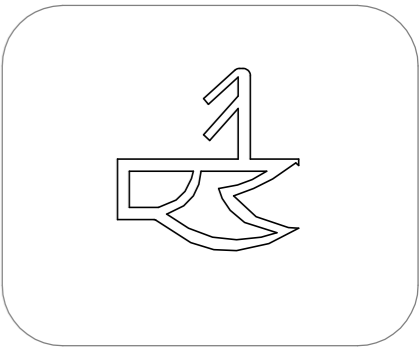
Step 14



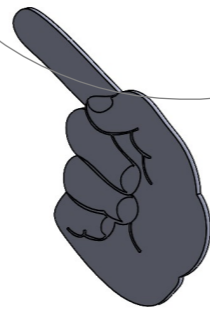
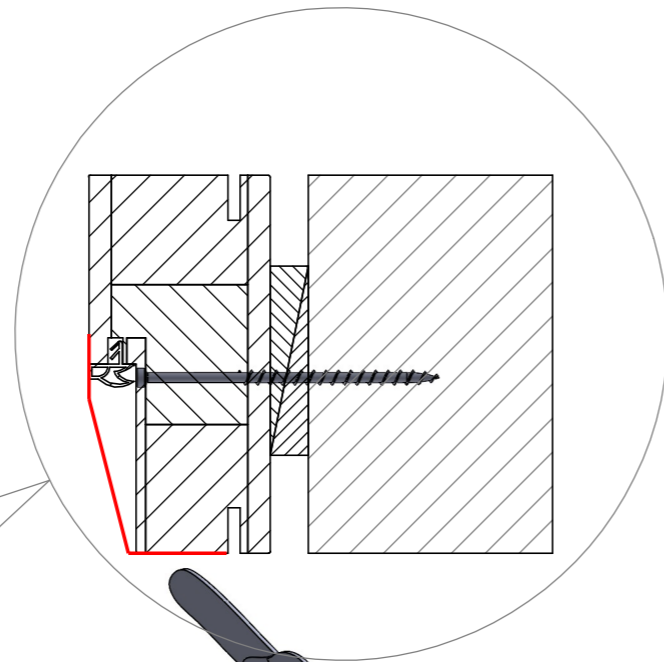
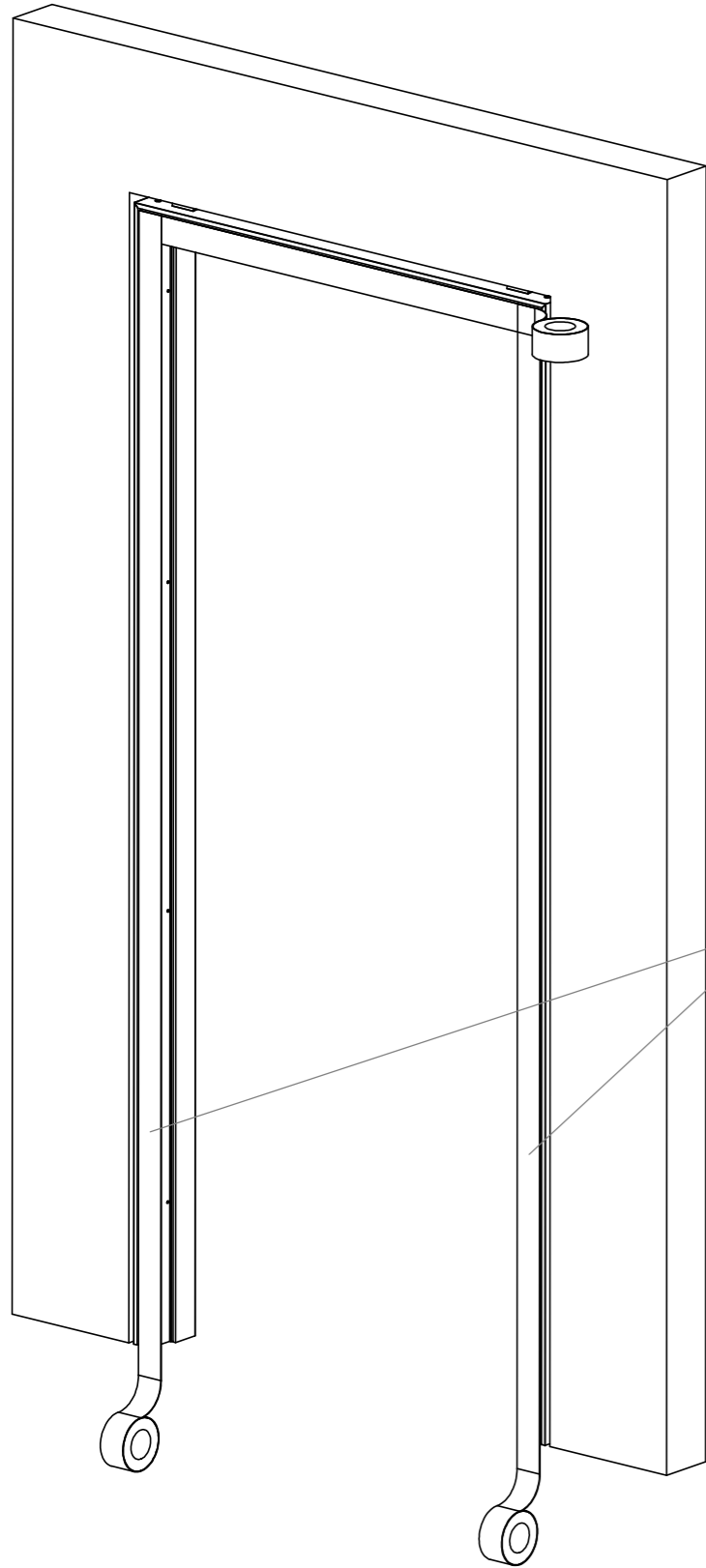
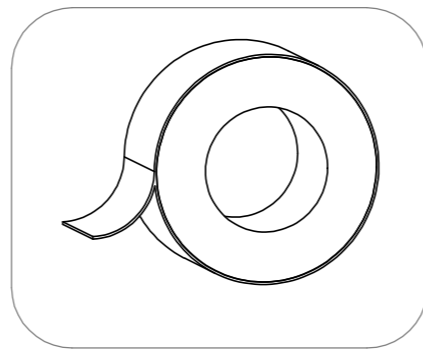
Step 15



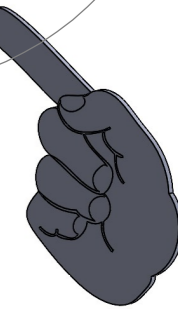
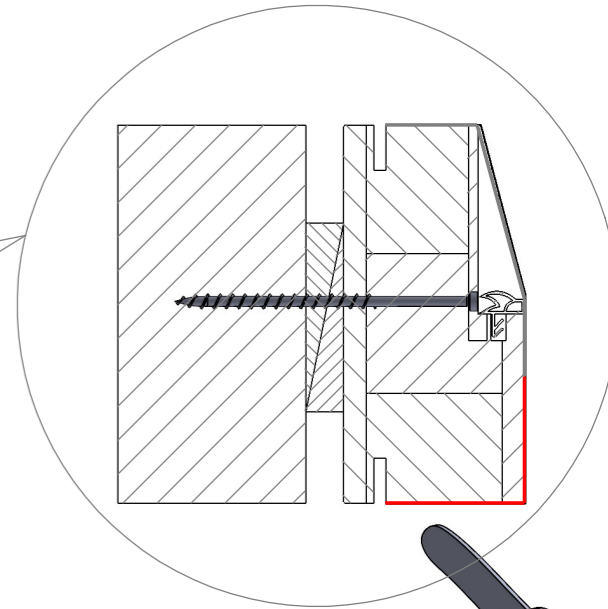
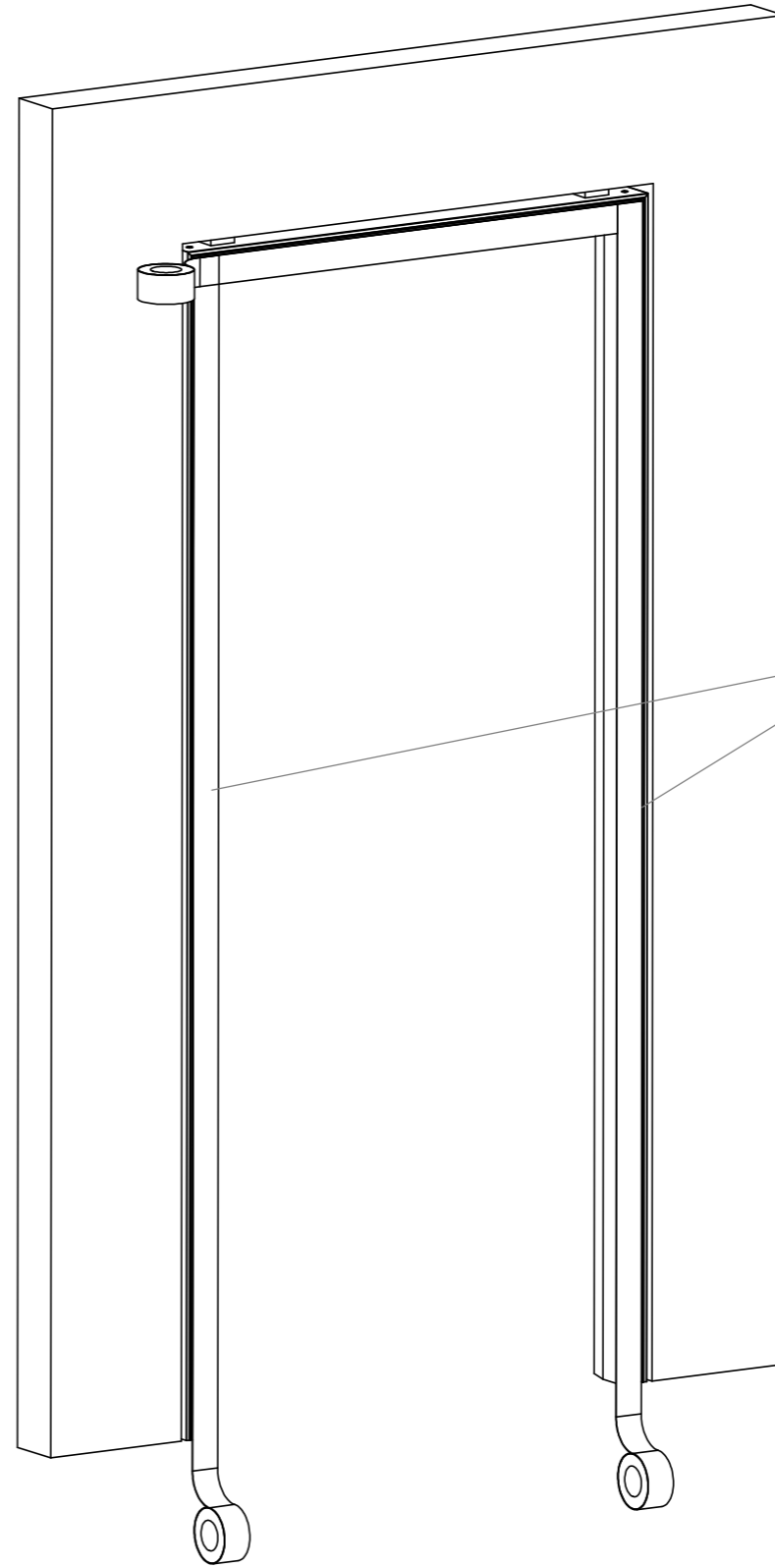
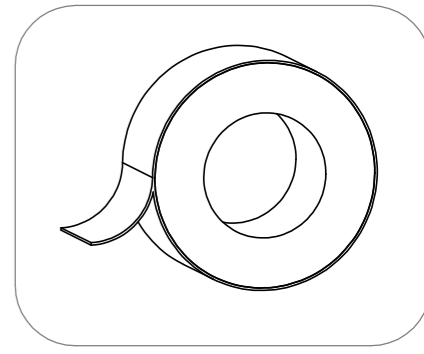
Step 16



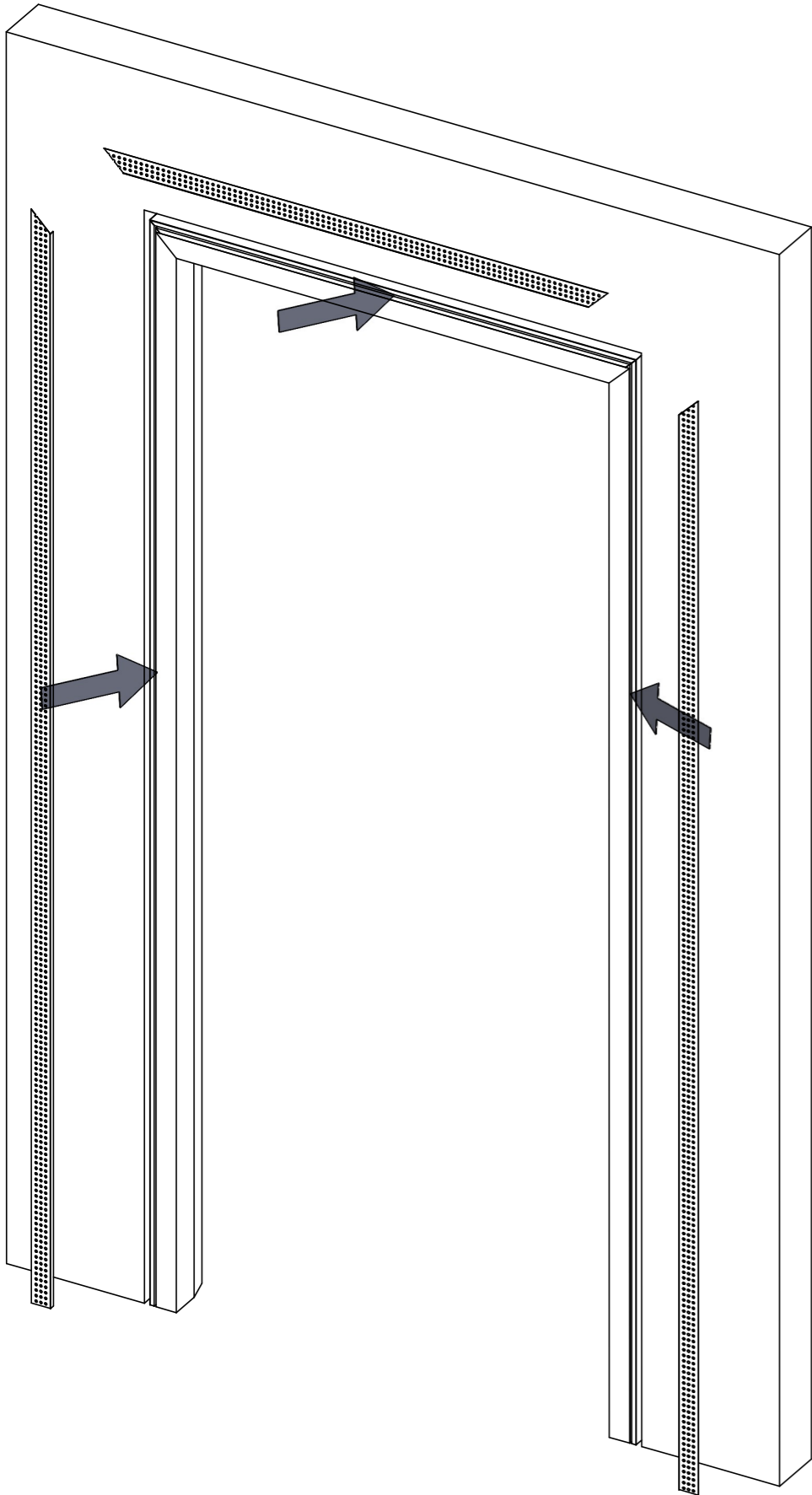
Step 17



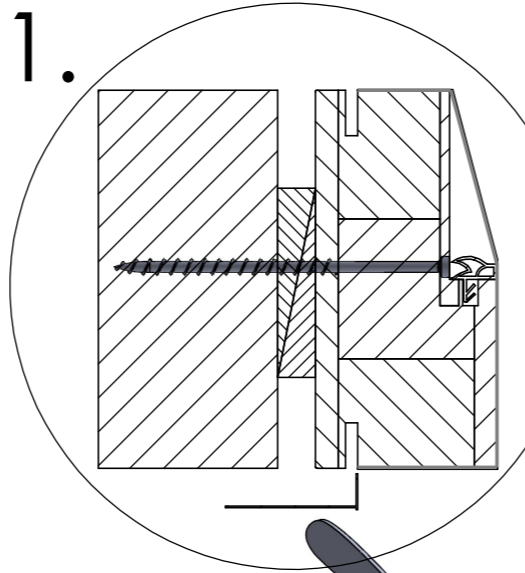
Step 18



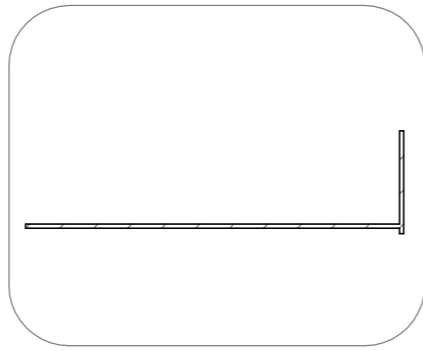
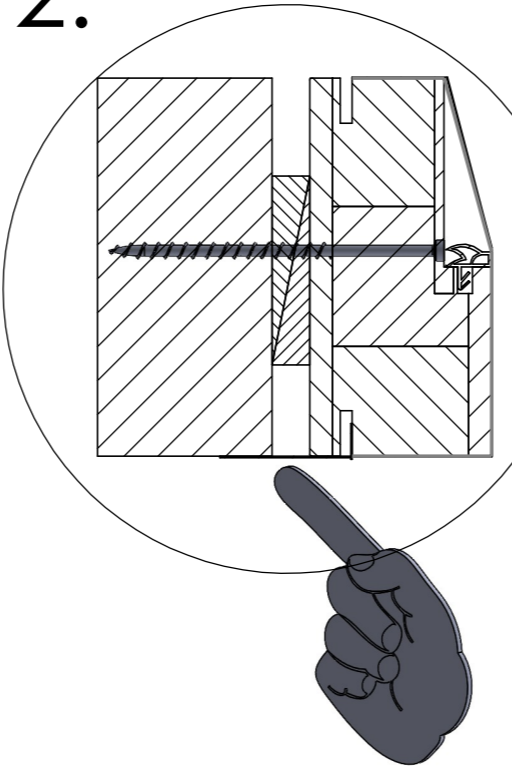
Step 19



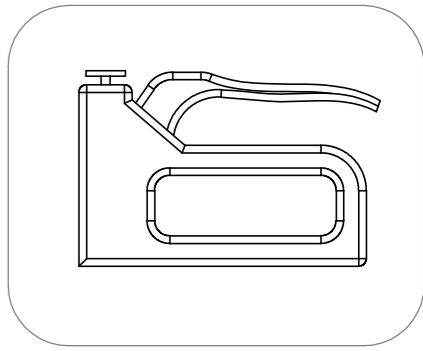
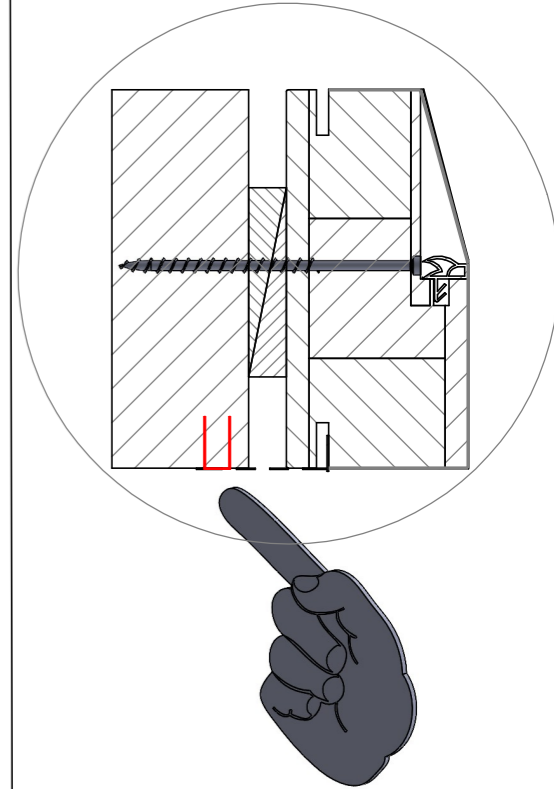
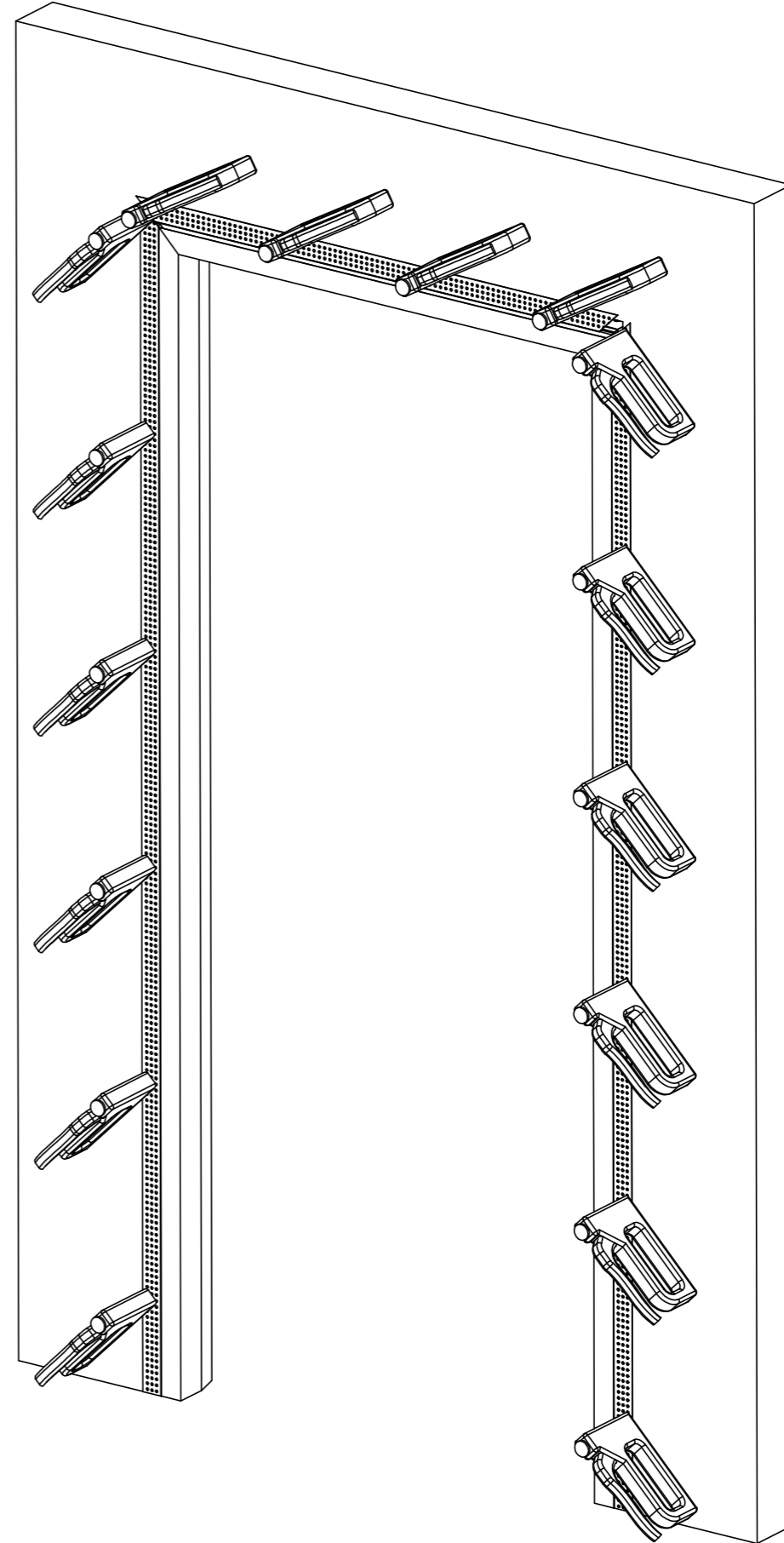
1.



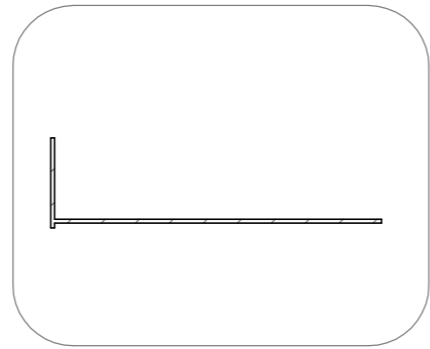
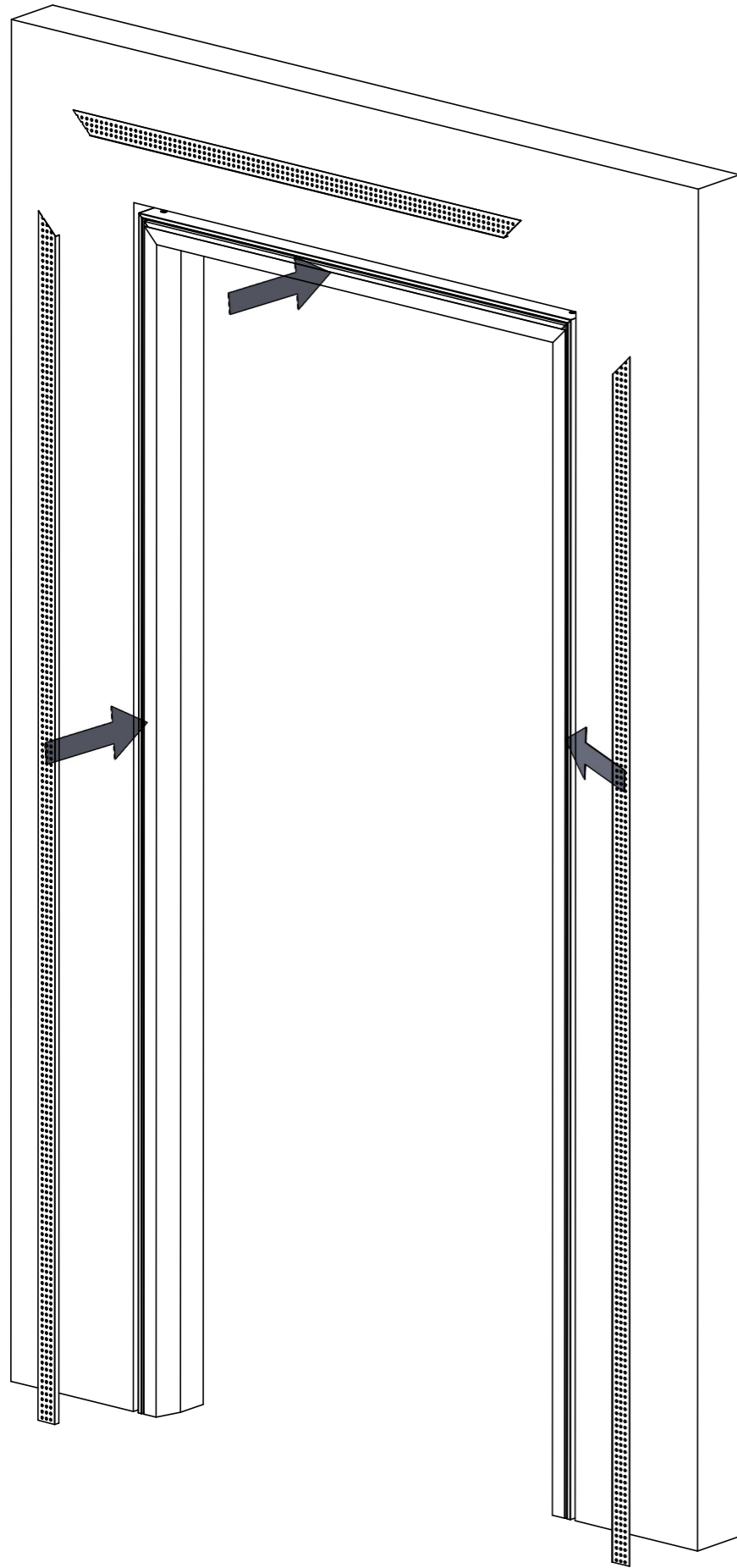
2.



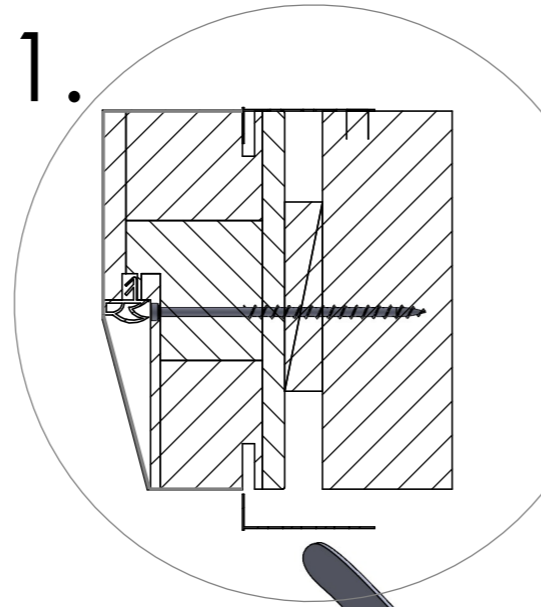
Step 20



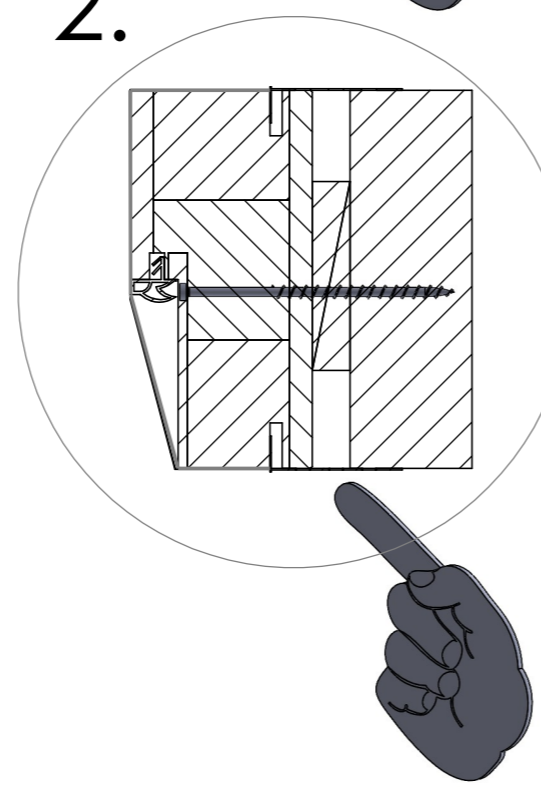
Step 21



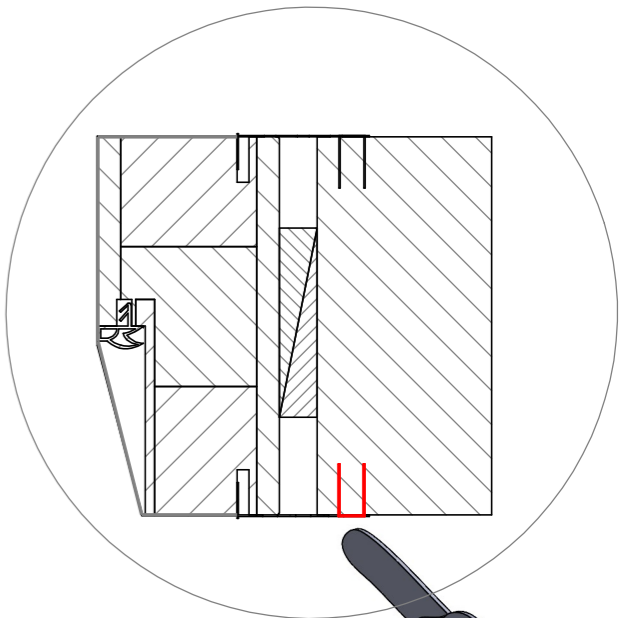
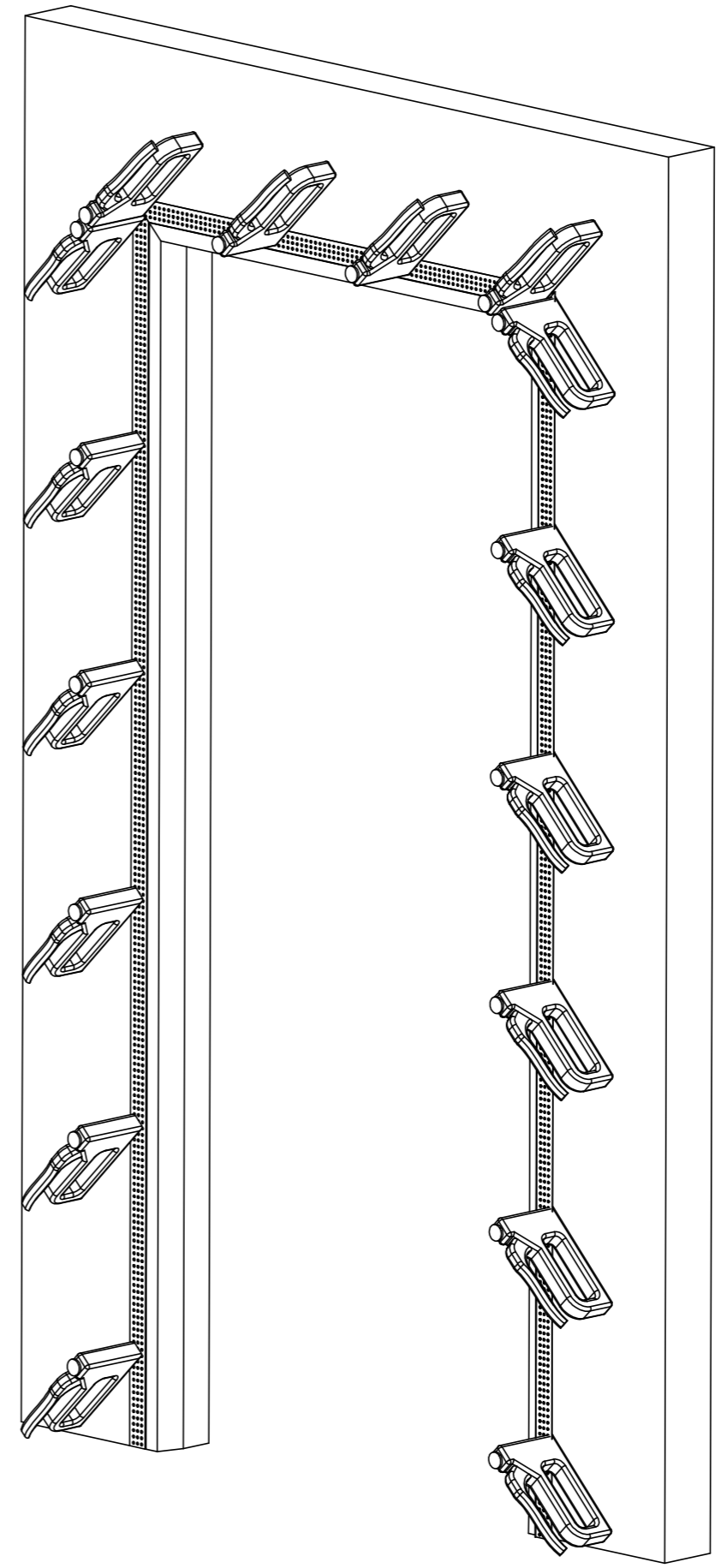
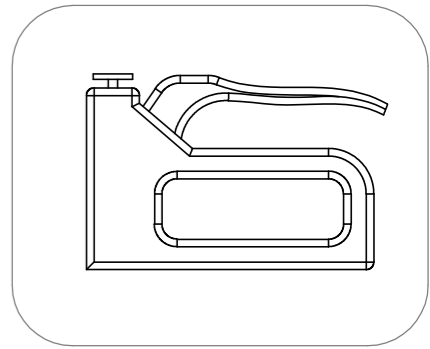
1.



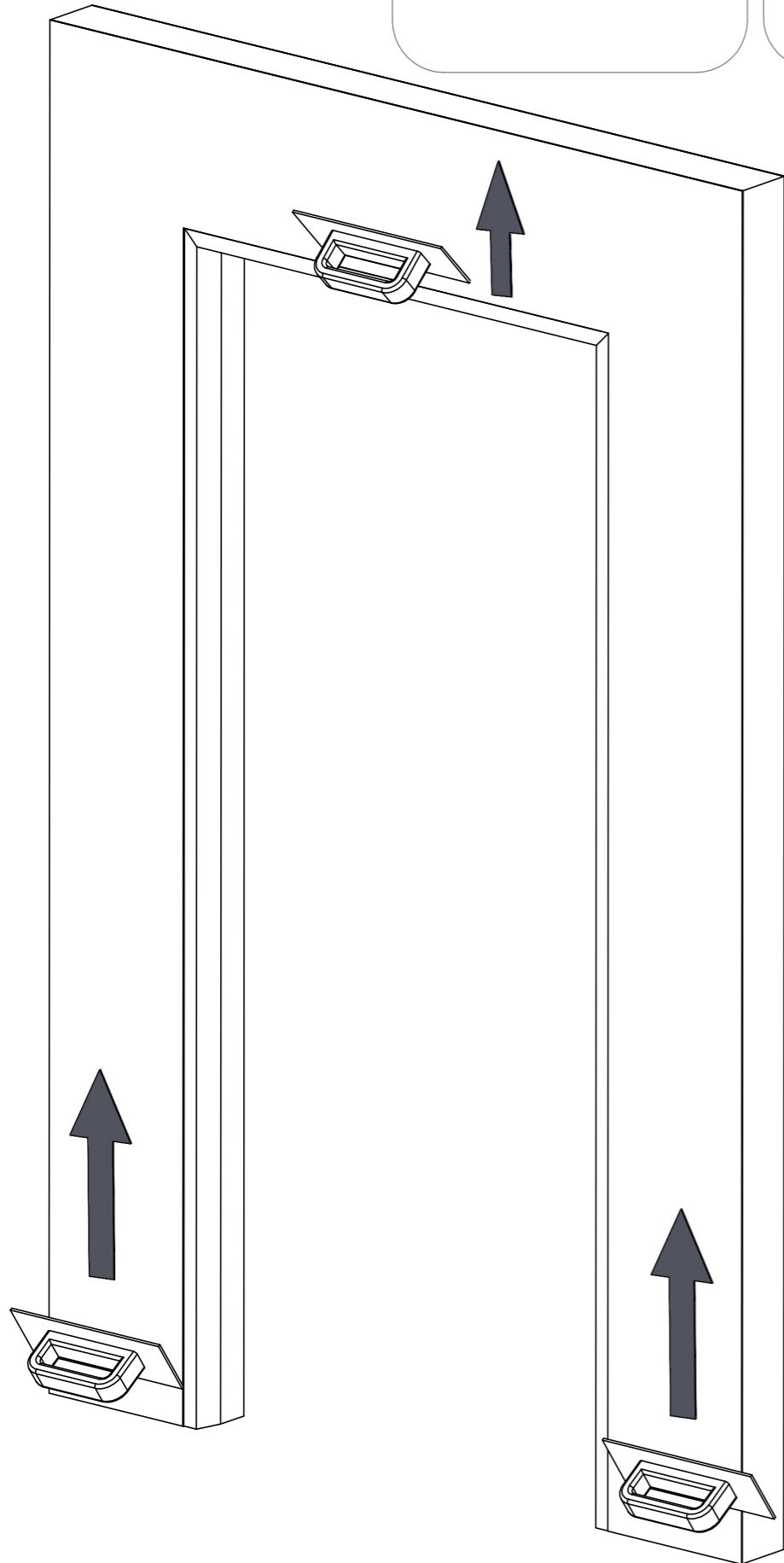
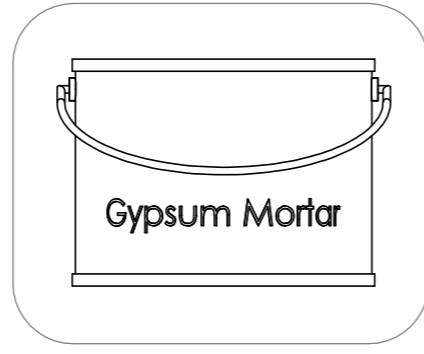
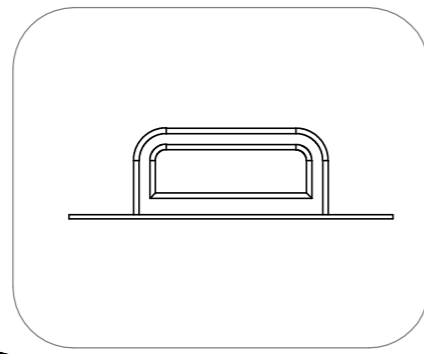
2.



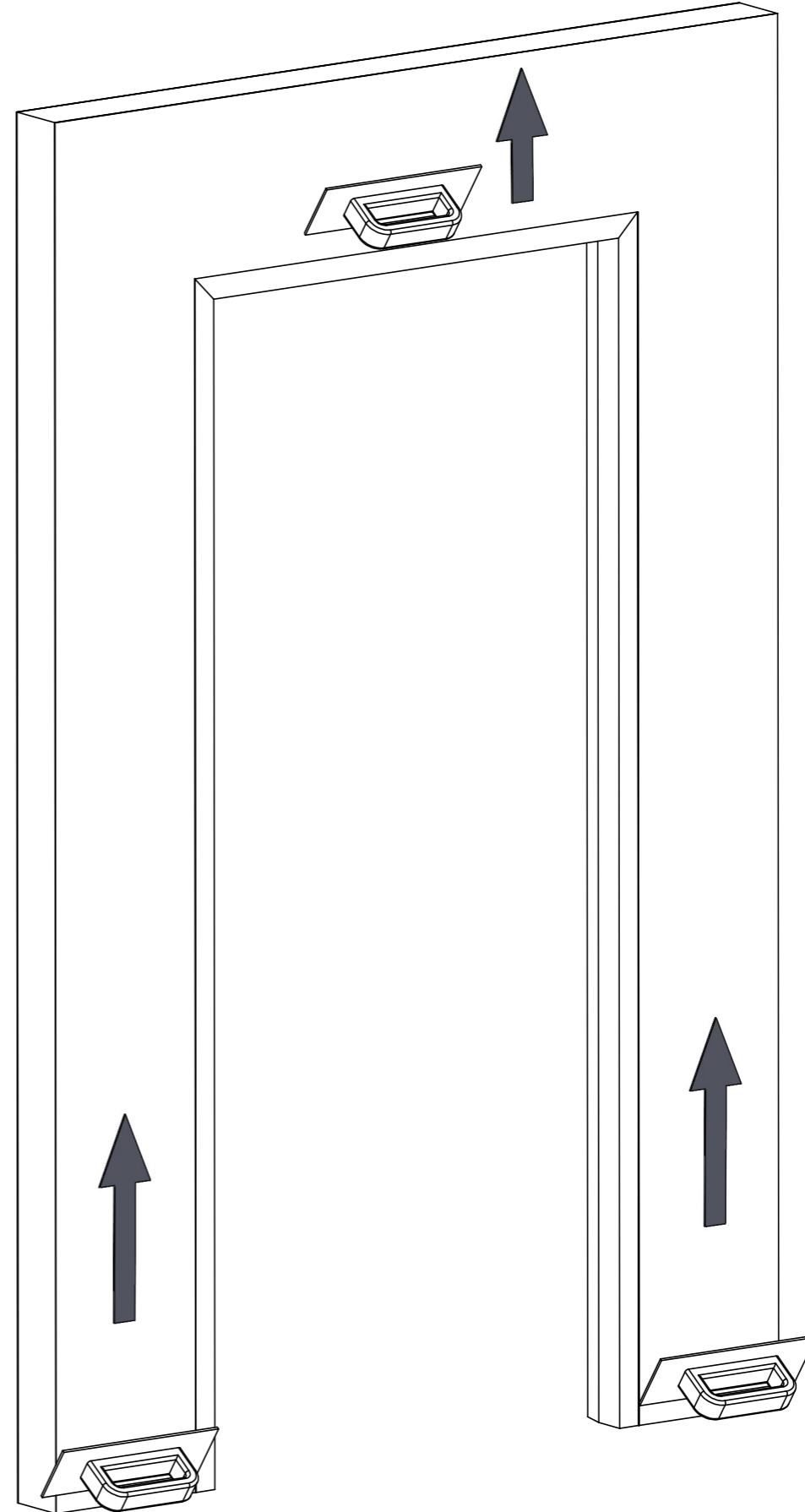
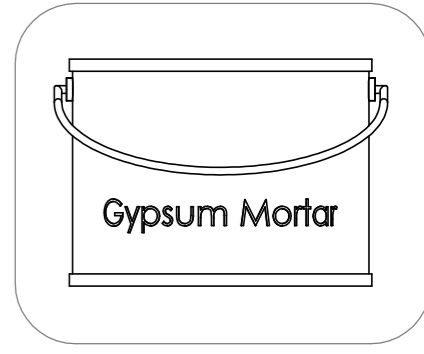
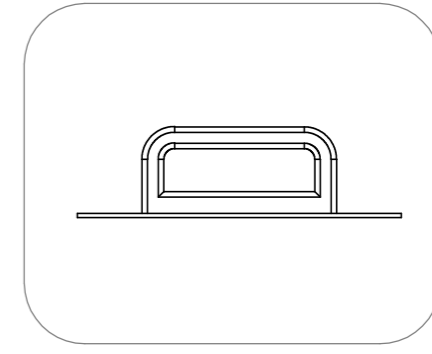
Step 22



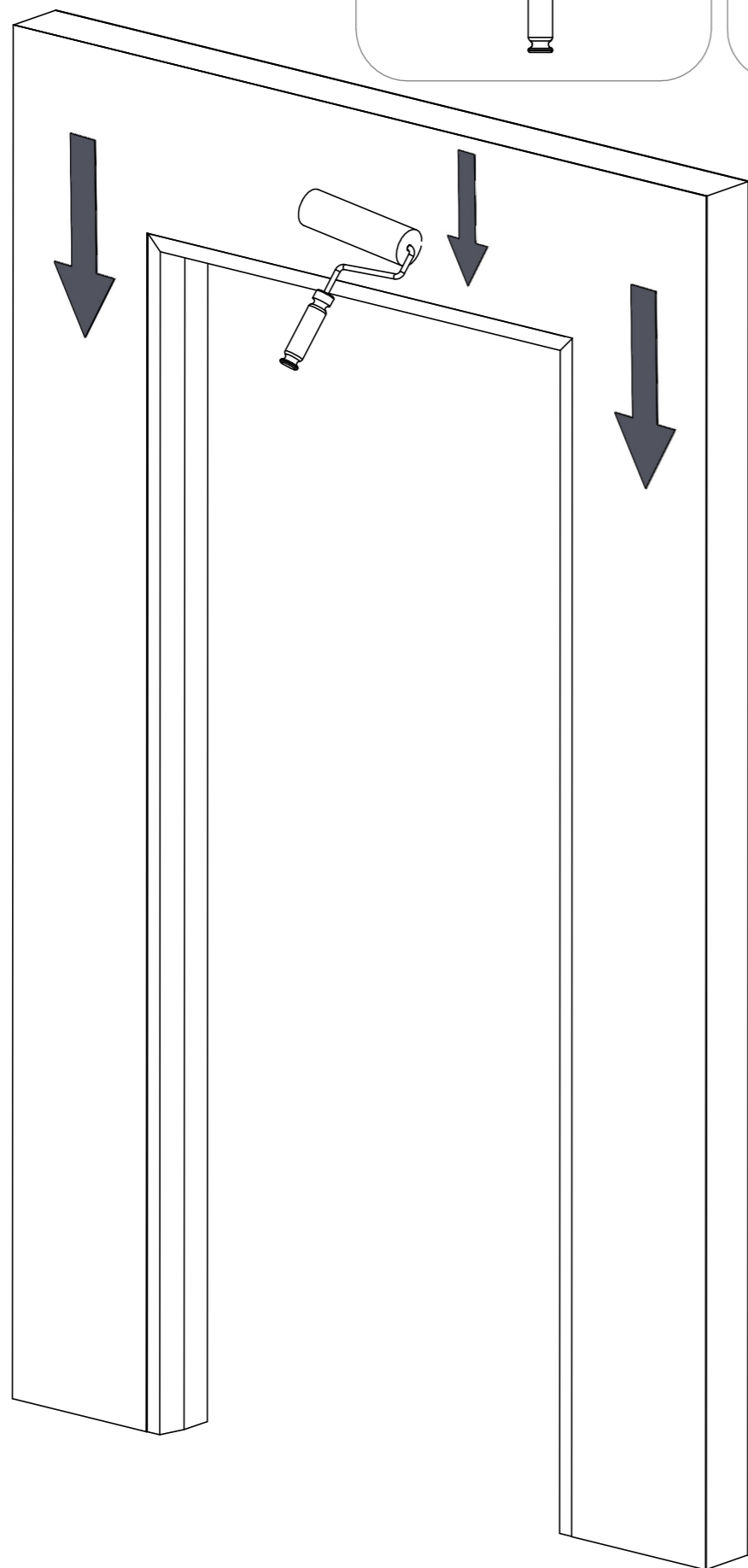
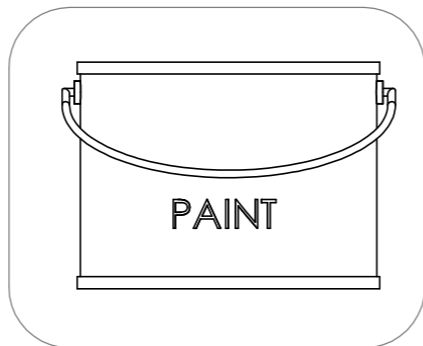
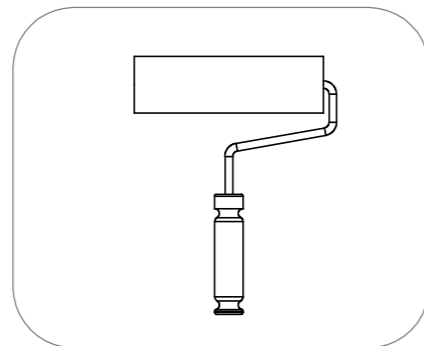
Step 23



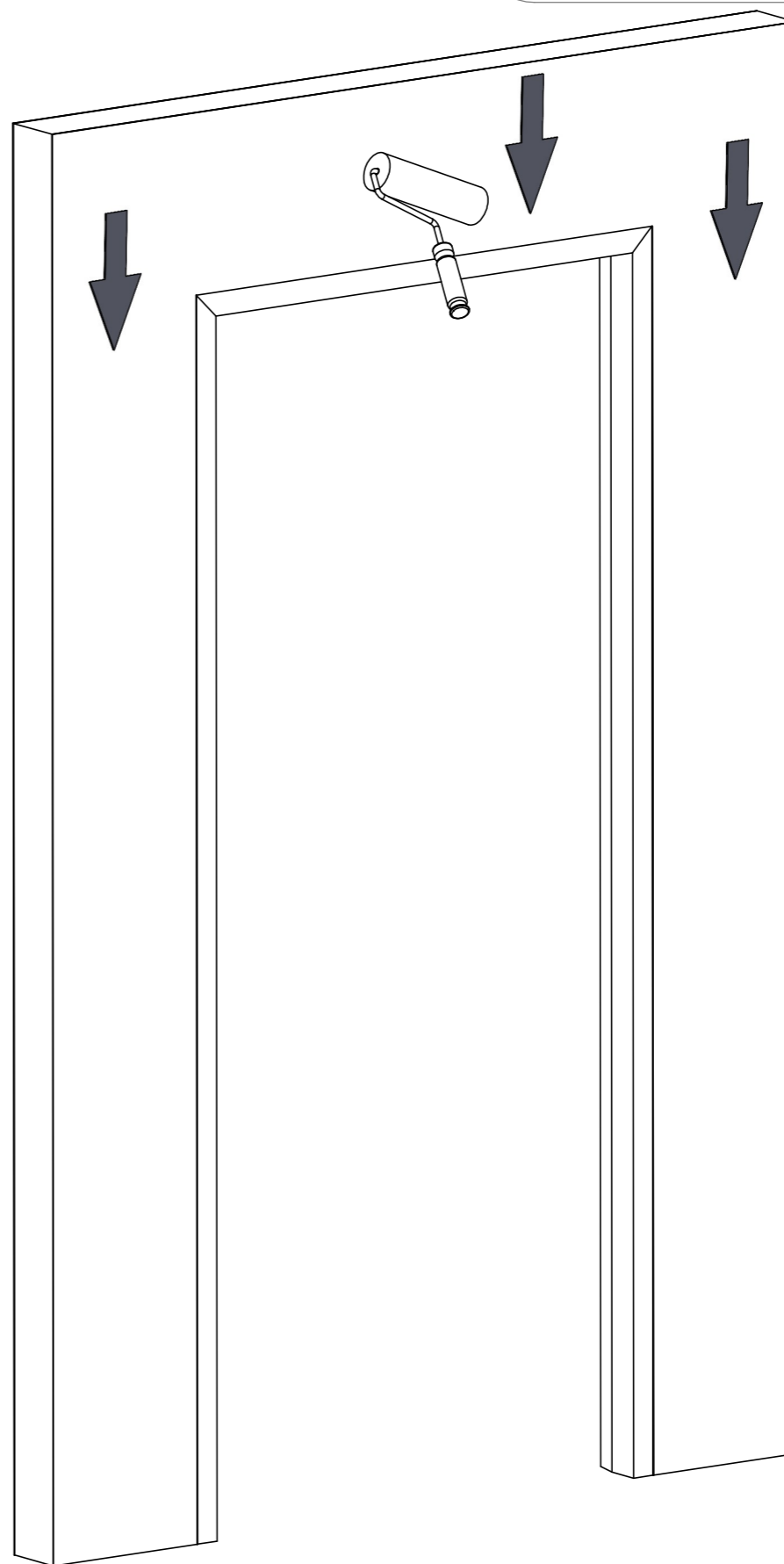
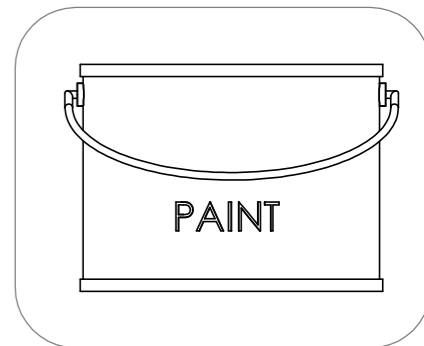
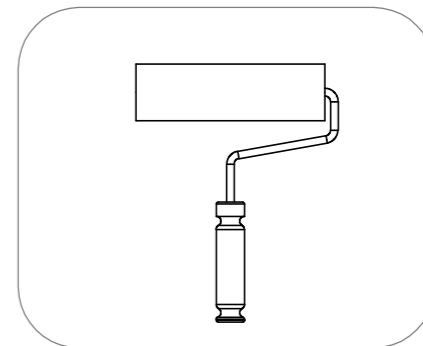
Step 24



Step 25



Step 26



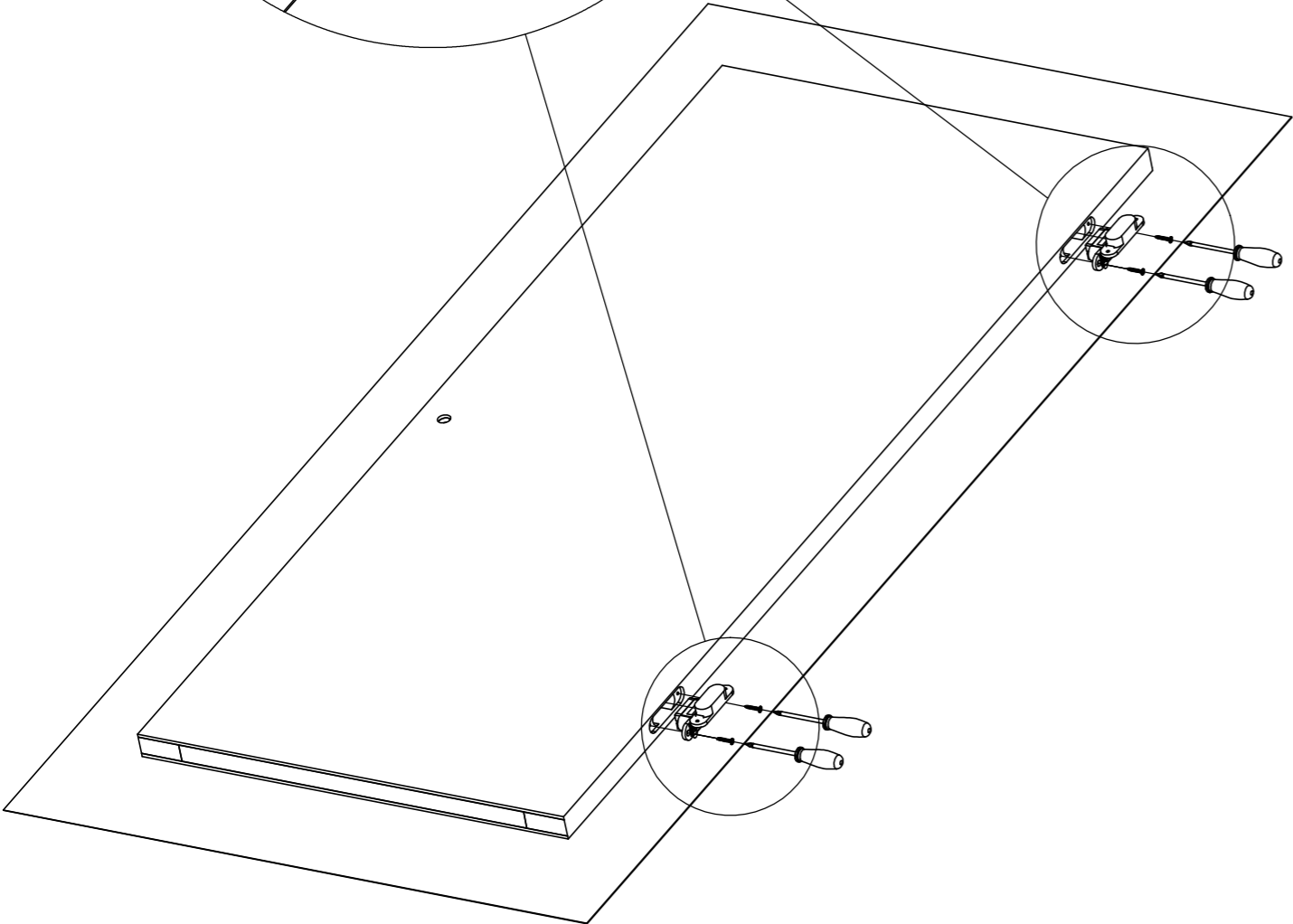
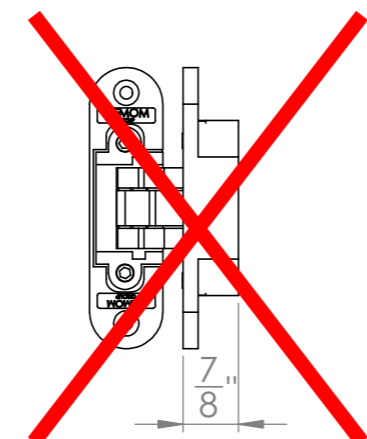
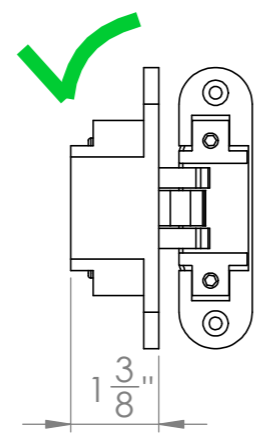
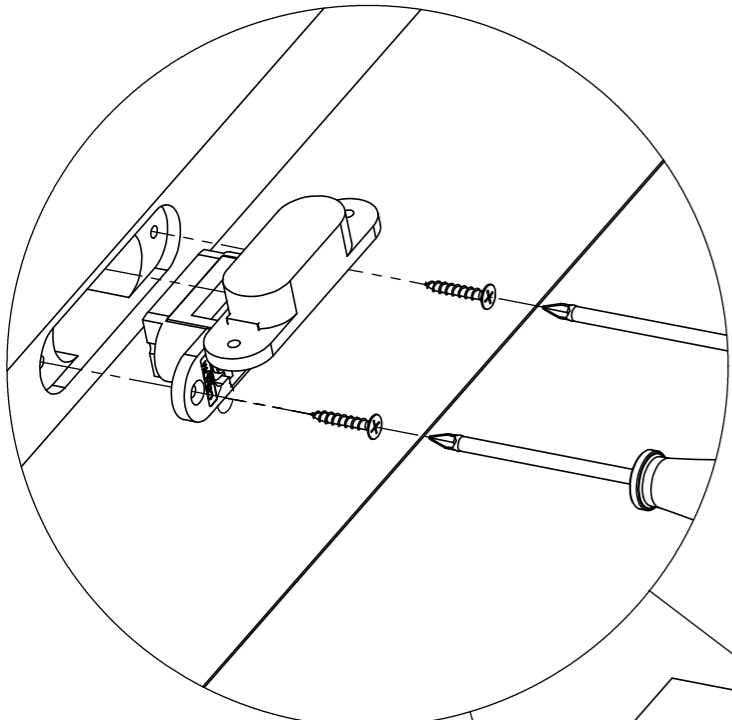
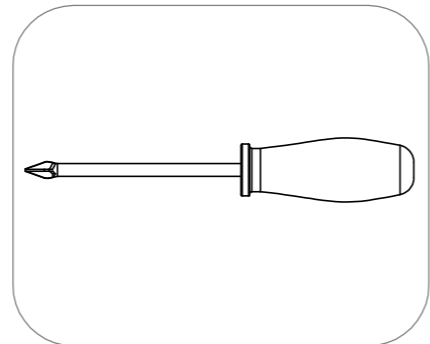
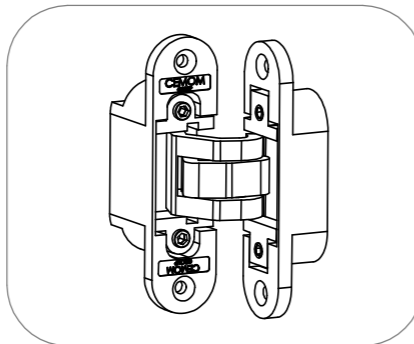
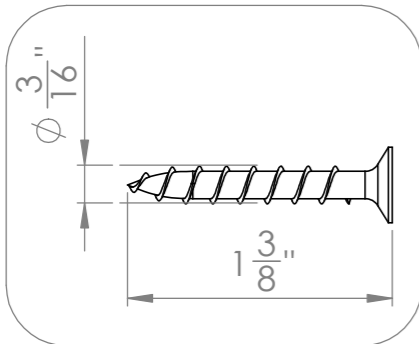
Step 27



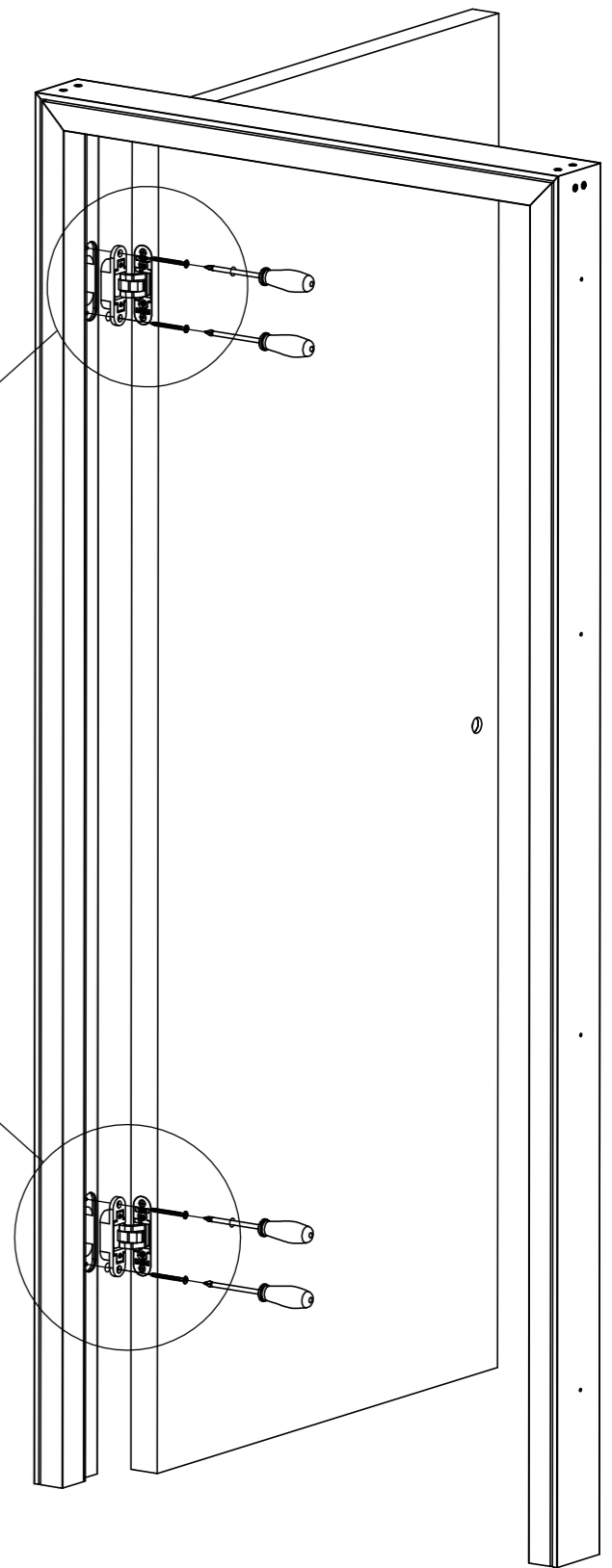
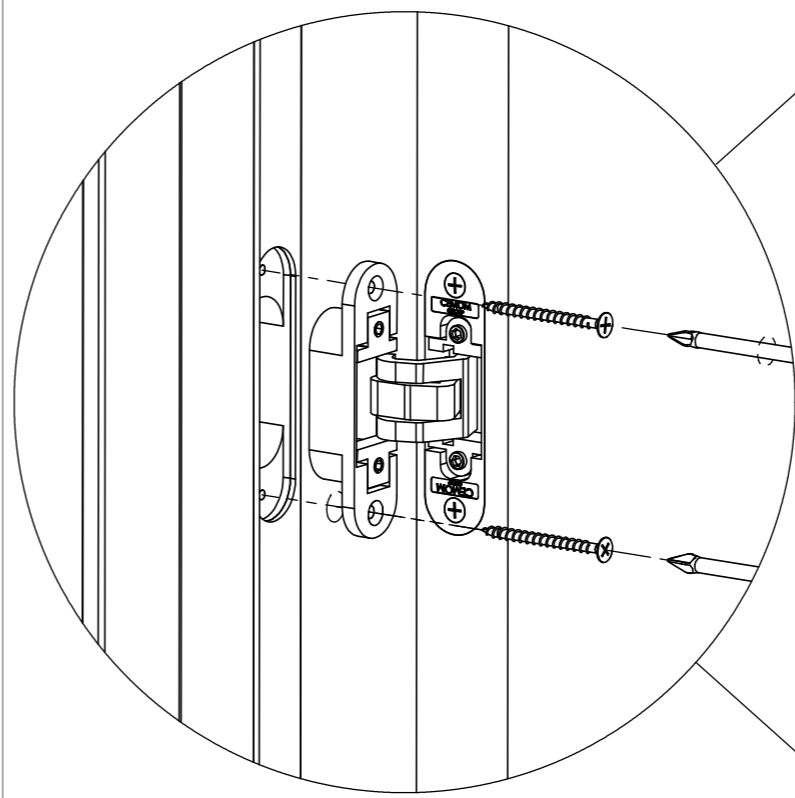
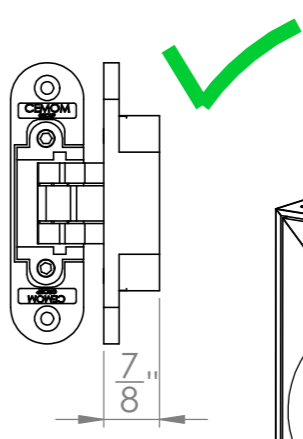
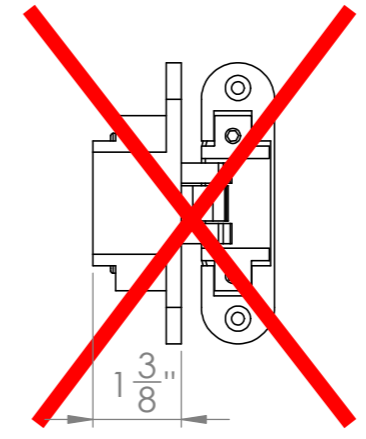
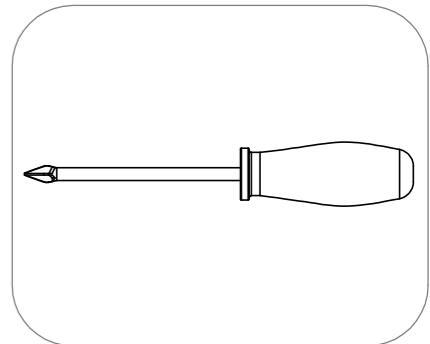
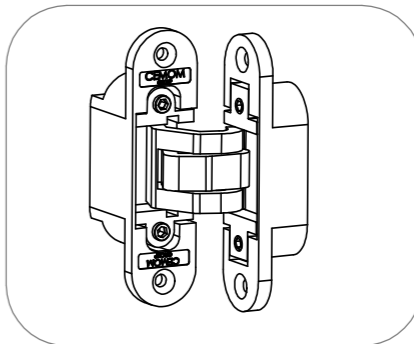
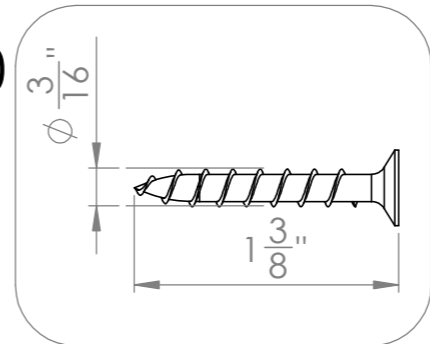
Step 28



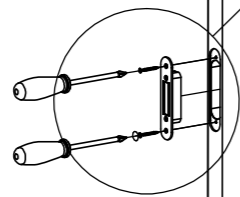
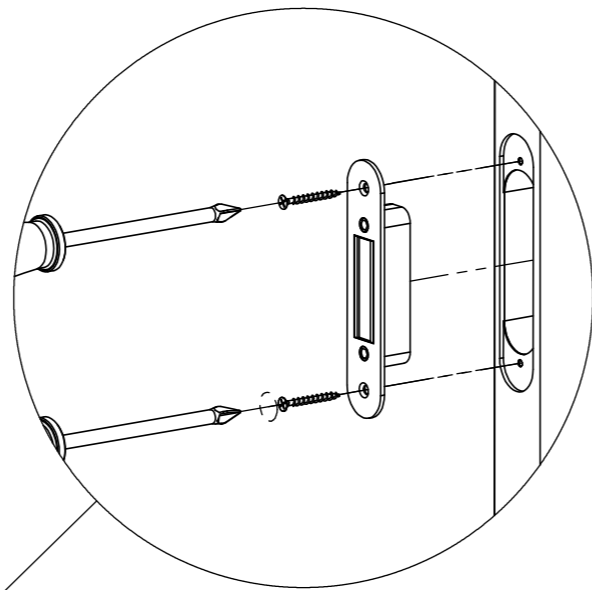
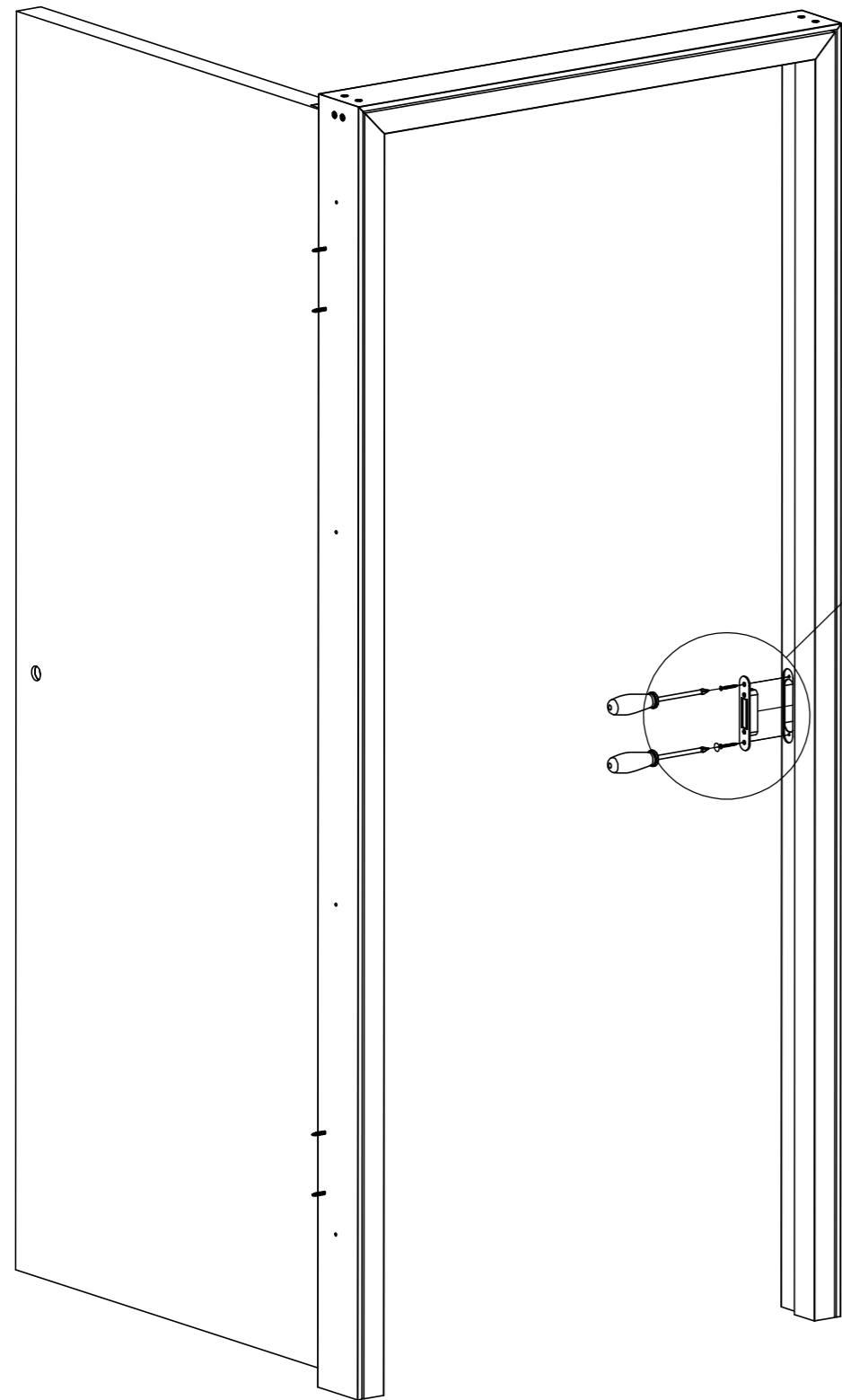
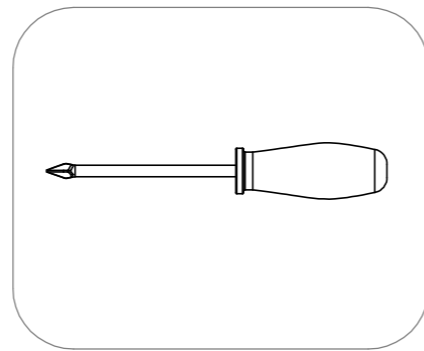
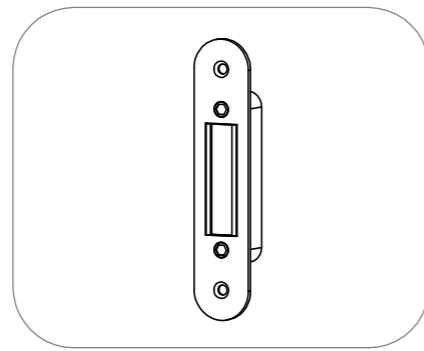
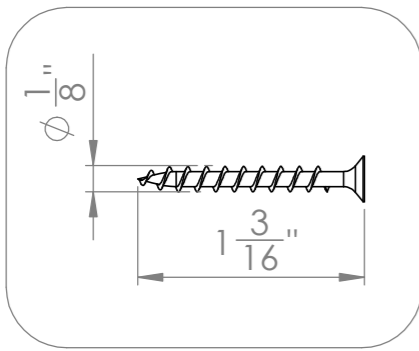
Step 29



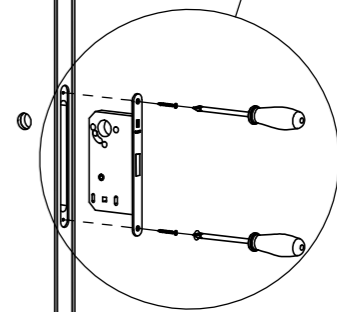
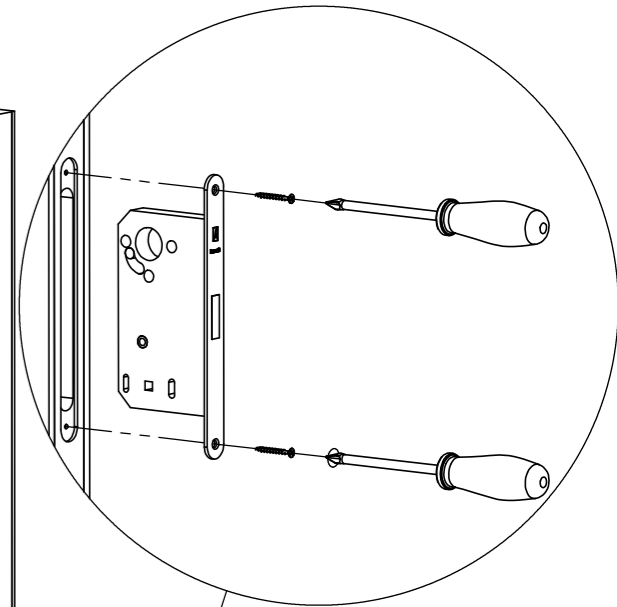
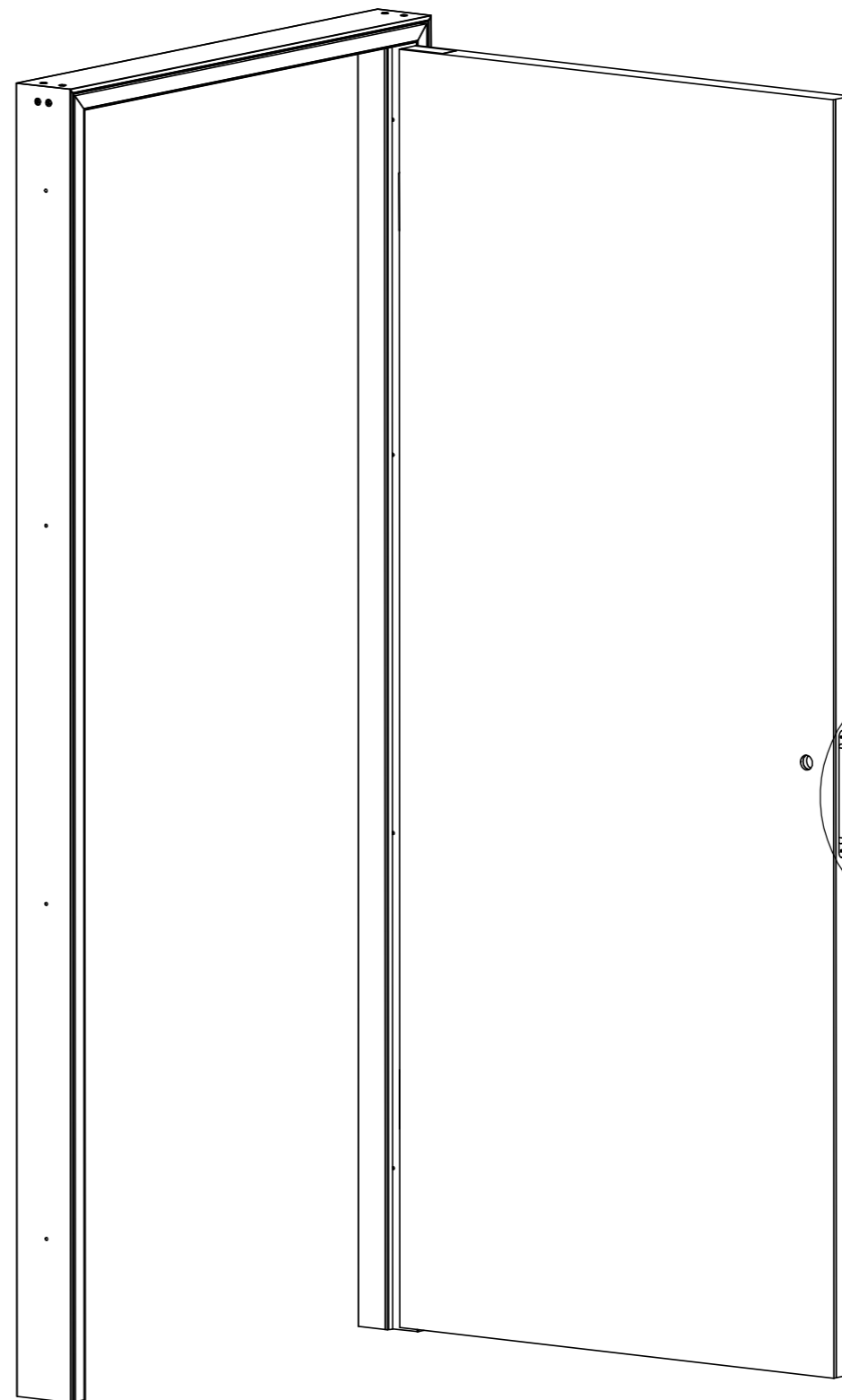
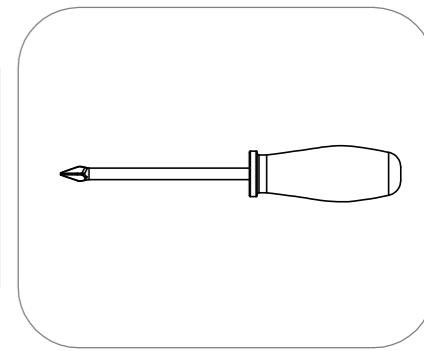
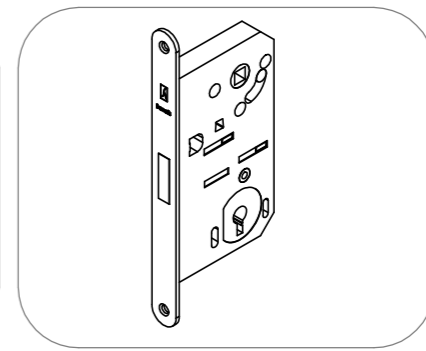
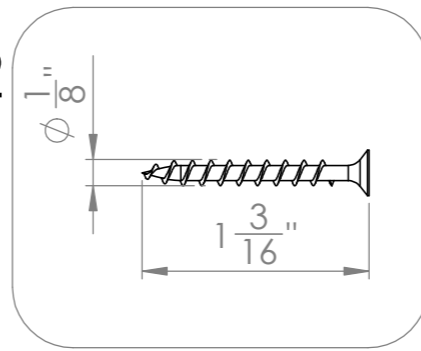
Step 30



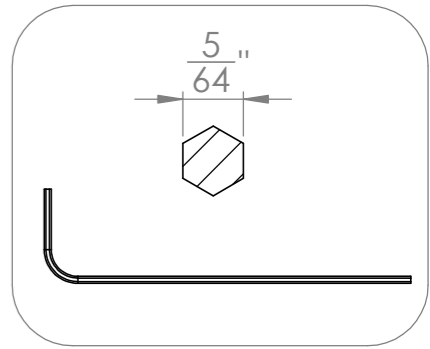
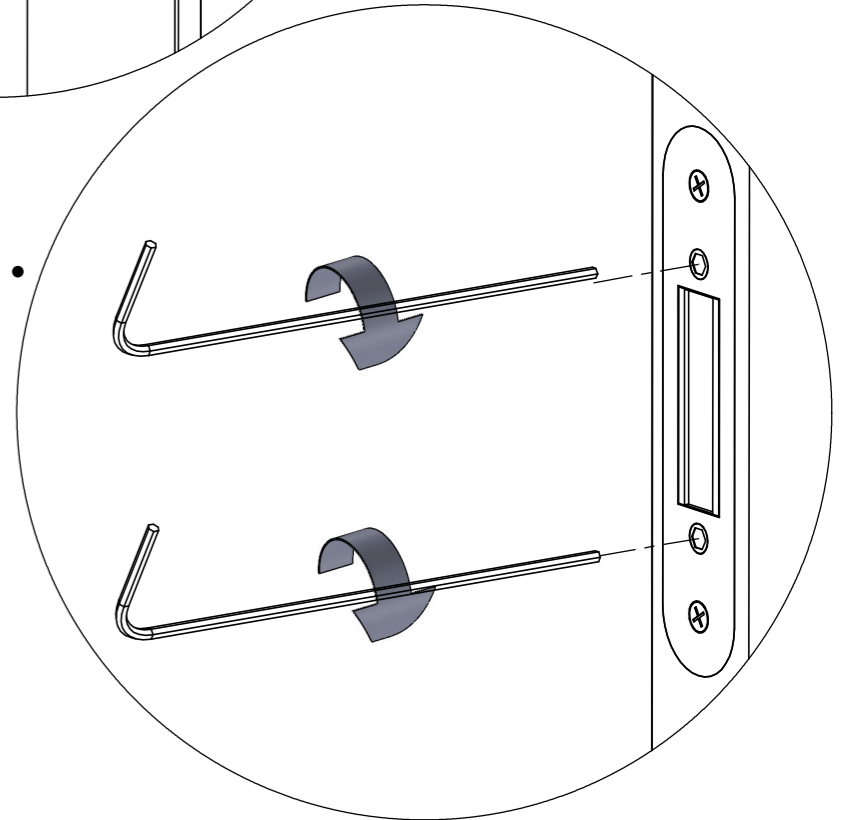
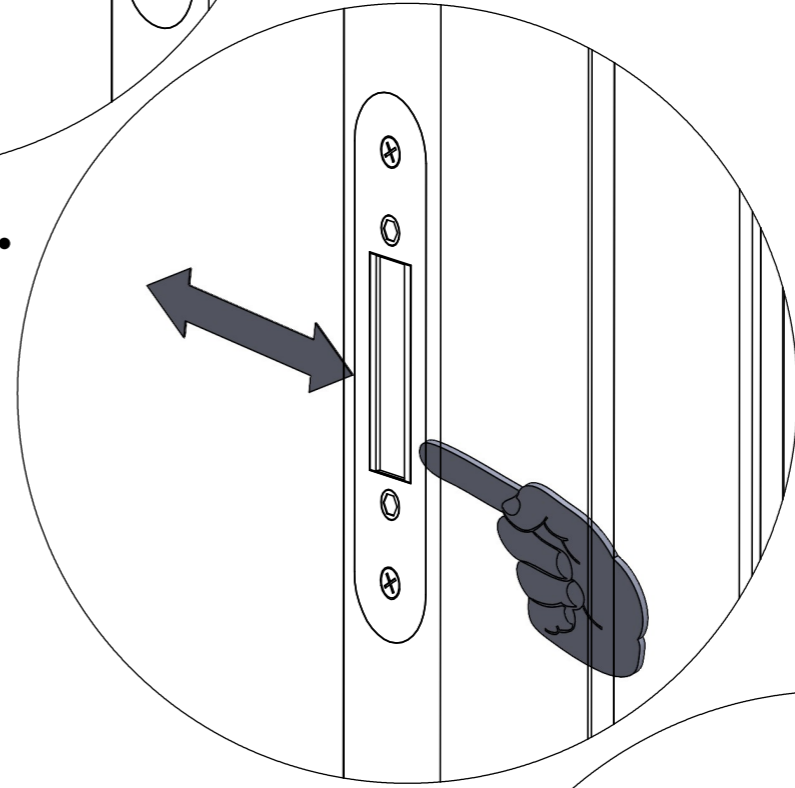
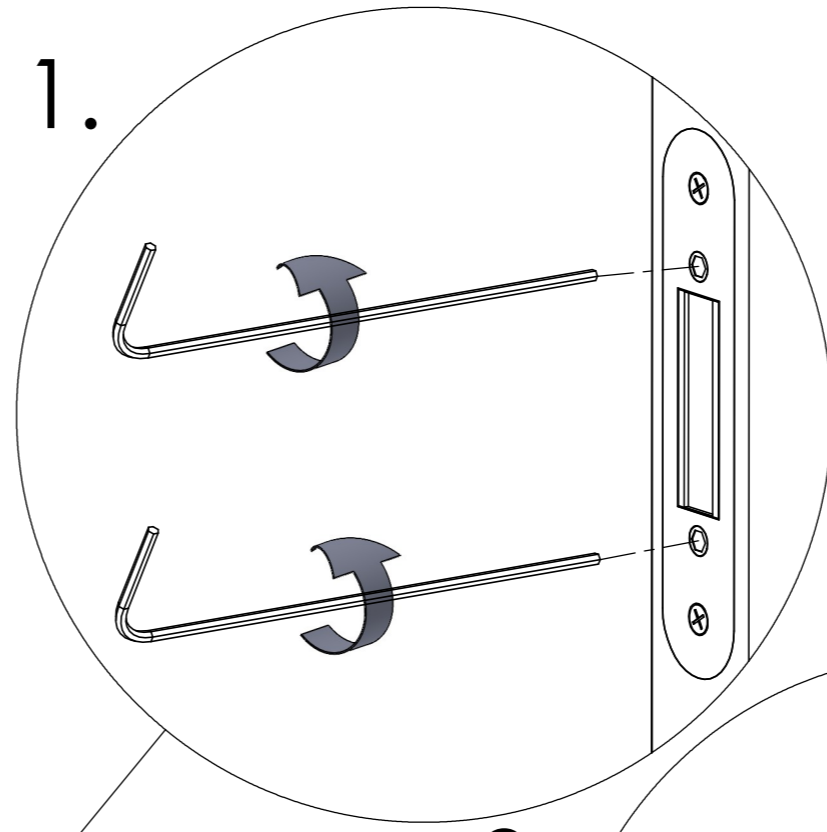
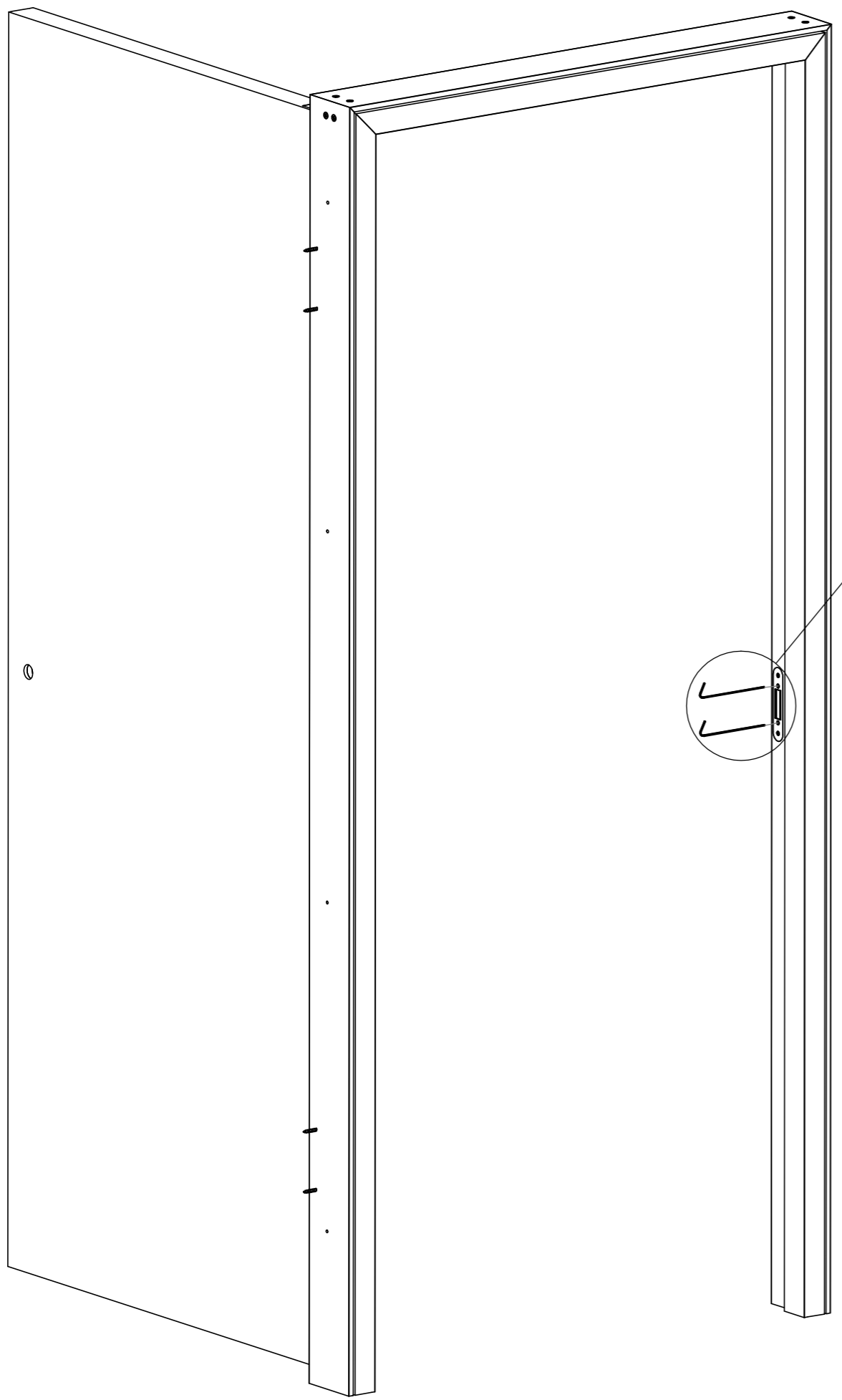
Step 31



Step 32

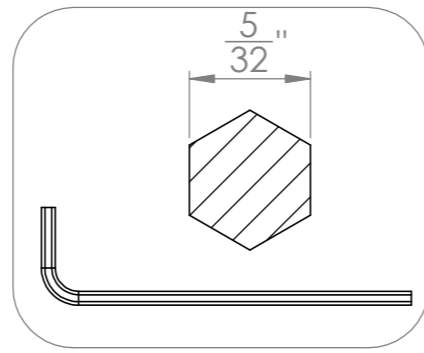
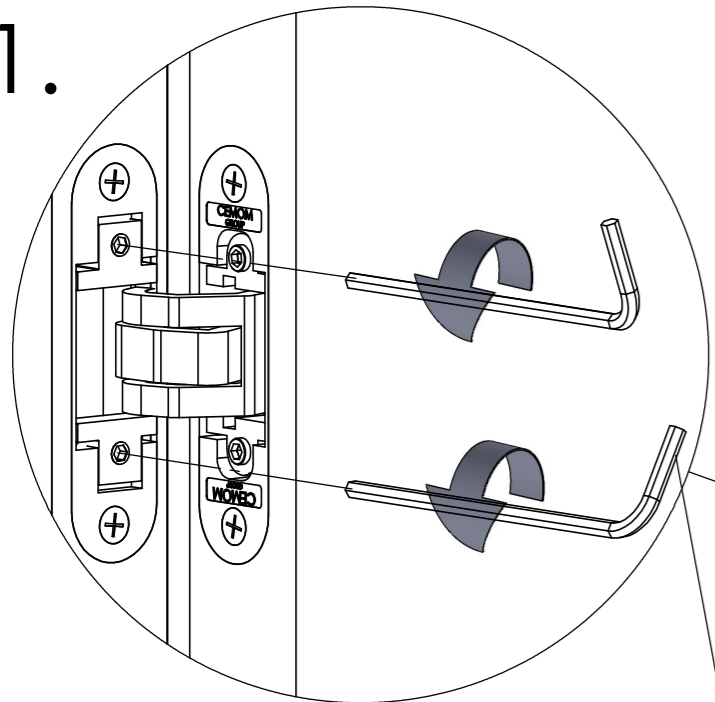


Step 33

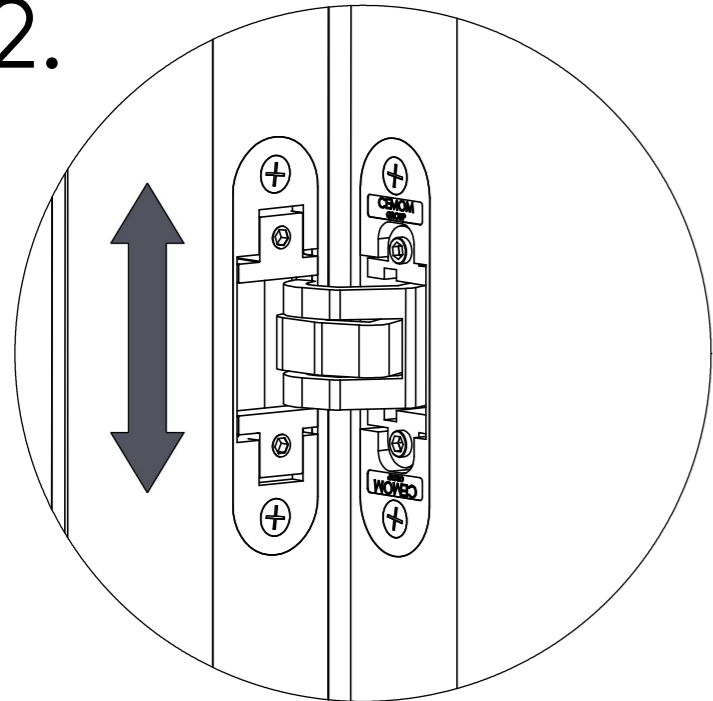


Step 34

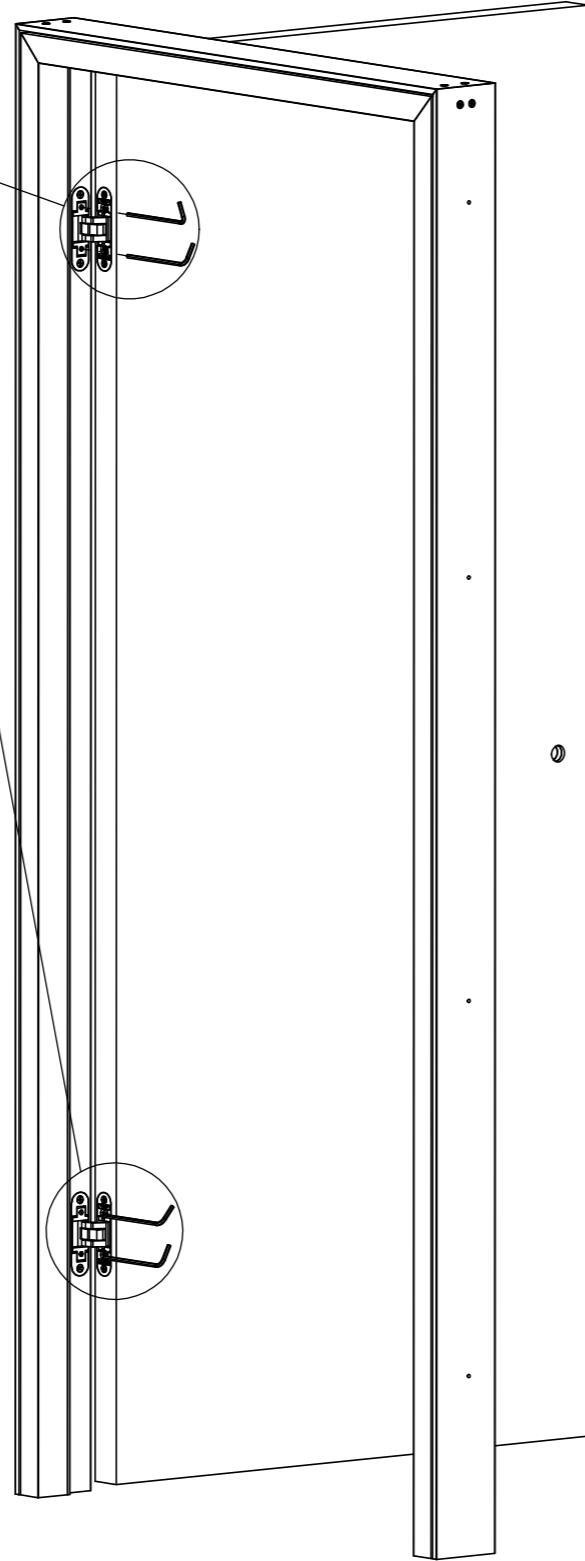
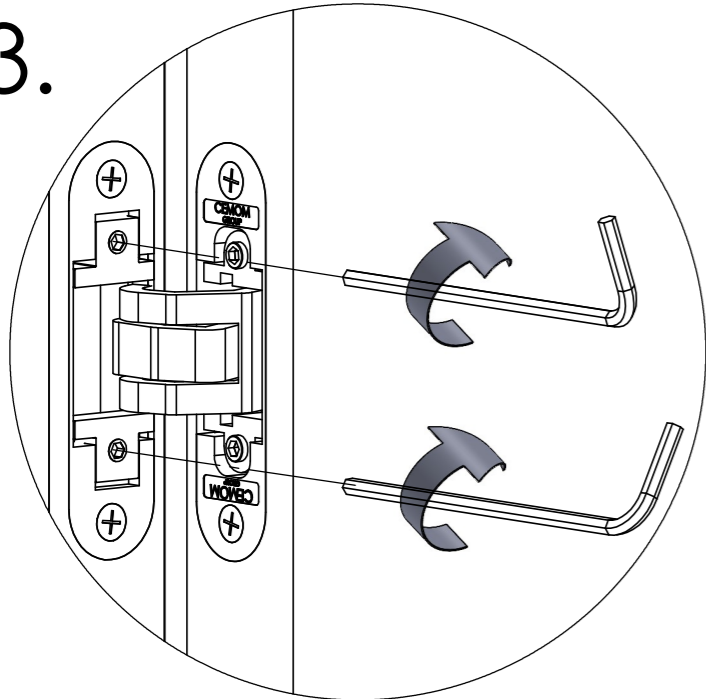
1.



2.

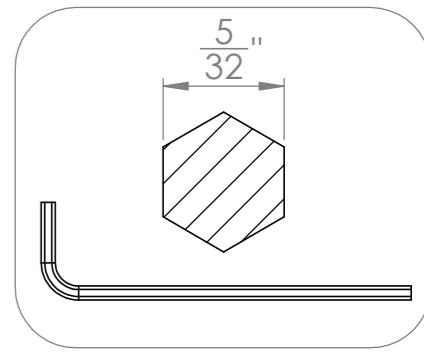
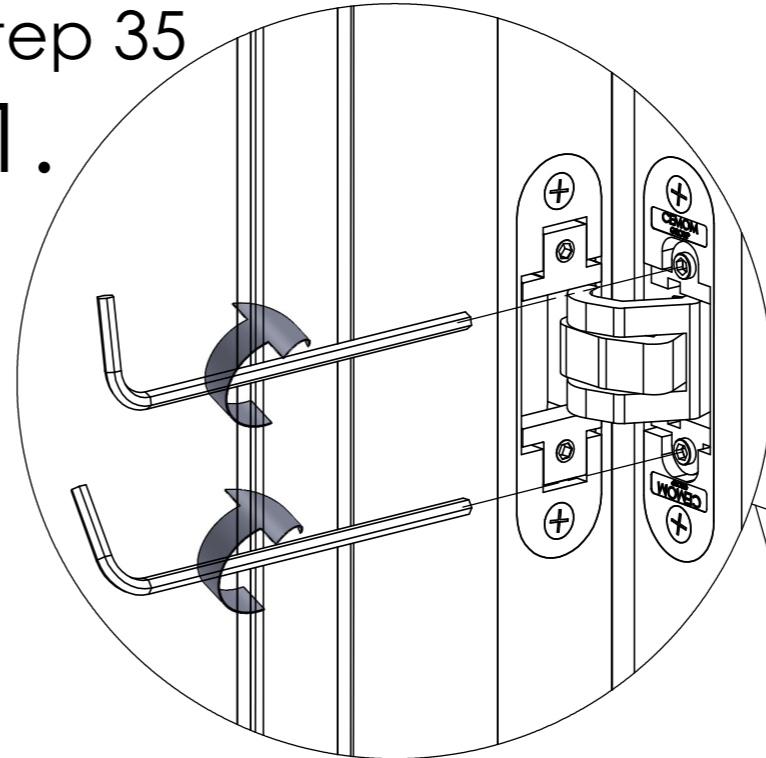


3.

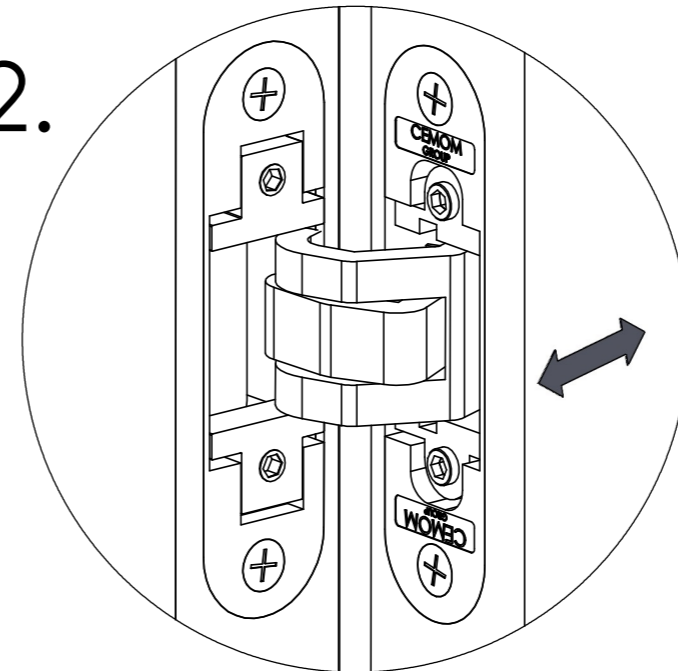


Step 35

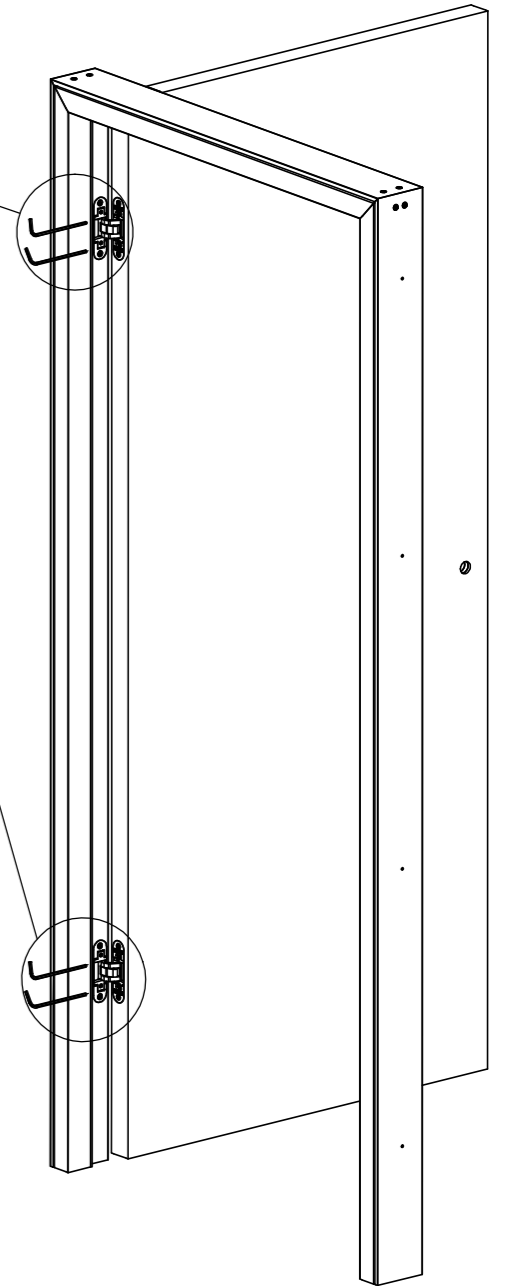
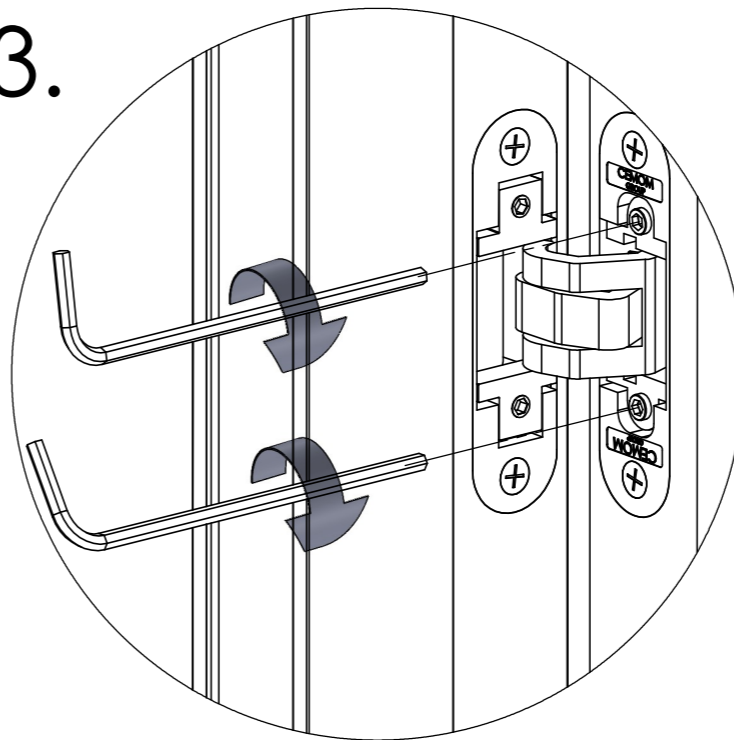
1.



2.



3.



Interior Door With L-Bead Jamb- Installation Guide

Tools and Materials Needed

- Spirit level
- Measuring tape
- Impact driver
- Screwdriver
- Screwdriver bit
- Trowel
- Allen keys (5/64", 5/32")
- Taker
- Torx T10 bit
- Protective tape
- Shims
- Gypsum mortar
- Paint & roller
- L-bead profiles
- Screws (3/16" x 1 3/8" and 3/16" x 3 1/8")
- Jamb assembly kit (optional)

Installation Steps

Frame Assembly & Preparation: Steps 1-6

1. Prepare the Jamb

- Assemble the jamb components: head, hinge side leg, and lock side leg by screwing the jamb pieces together in 4 different spots, per side.
- Remove the pre-installed gasket from the frame.
- If using a jamb assembly kit, install to secure joints.
- Ensure all cuts and edges are clean and precise.

Frame Installation: Steps 8-16

2. Dry Fit the Frame

- Position the fully assembled jamb into the door opening.
- Use shims as needed to align vertically and horizontally.
- Confirm the frame is plumb, level and square using a level and tape measure.

Dimensions Check: Ensure DIM1 = DIM2 = DIM3 for perfect jamb alignment.

3. Screw Frame to Wall

- Use drill bit to drill pilot holes through the frame and shim pieces- at least 4 on the left and right sides. We recommend this to avoid splitting the material.

Note: It is also best practice to install the fasteners under the gasket, to hide them from sight.

- Use screws (3/16" x 3 1/8") to secure jamb through pre-drilled holes into framing.
- Confirm alignment after each screw is installed.
- Install all screws before proceeding.
- Remove jamb assembly kit if in use and re-install the gasket, covering the fasteners.

Wall Finishing: Steps 17-28

4. Prepare for Wall Finishing

- Install protective tape over exposed wooden jamb pieces

5. Install L-Bead Profiles

- Attach L-bead profiles around the frame using a taker.
- Ensure a tight and flush fit to the wall and jamb.

6. Apply Gypsum Mortar

- Fill any voids between wall and jamb using gypsum mortar.
- Smooth out using a trowel.
- Allow time for mortar to cure.

7. Paint the Wall

- Paint over the wall surface and L-bead for a seamless look.
- Let the paint dry completely before continuing.
- Carefully remove protective tape after the paint has completely dried.

Final Steps: Steps 29-35

8. Insert Hinges

- Install concealed hinges into the pre-machined cutouts of the slab.

9. Install Door Slab

- Hang the door by attaching the hinges to the concealed hinge side of the jamb.

10. Install Lock

- Insert the magnetic lock into the door jamb and the door slab (if not pre-installed).
- Secure the lock using screws and appropriate Allen key size (5/64" or 5/32") depending on the lock type:
 1. Privacy
 2. Passage
 3. Cylinder/keyed

11. Secure Lock Strike Plate

- Align and secure the lock strike plate on the jamb leg.
- Ensure smooth latching and closing.

12. Adjust Hinges

- Use the Allen key to fine-tune hinge positioning:
 1. Depth
 2. Vertical alignment
 3. Horizontal alignment

13. Final Check

- Open and close the door multiple times to ensure smooth operation.

- Verify all screws are tight and no components are loose.
 - Clean any fingerprints or debris.
-

Notes

- **Always follow local building codes and regulations.**

For assistance, contact Glenview Doors customer support.

Email: service@bmdmfg.com

Phone: 800-334-4263