

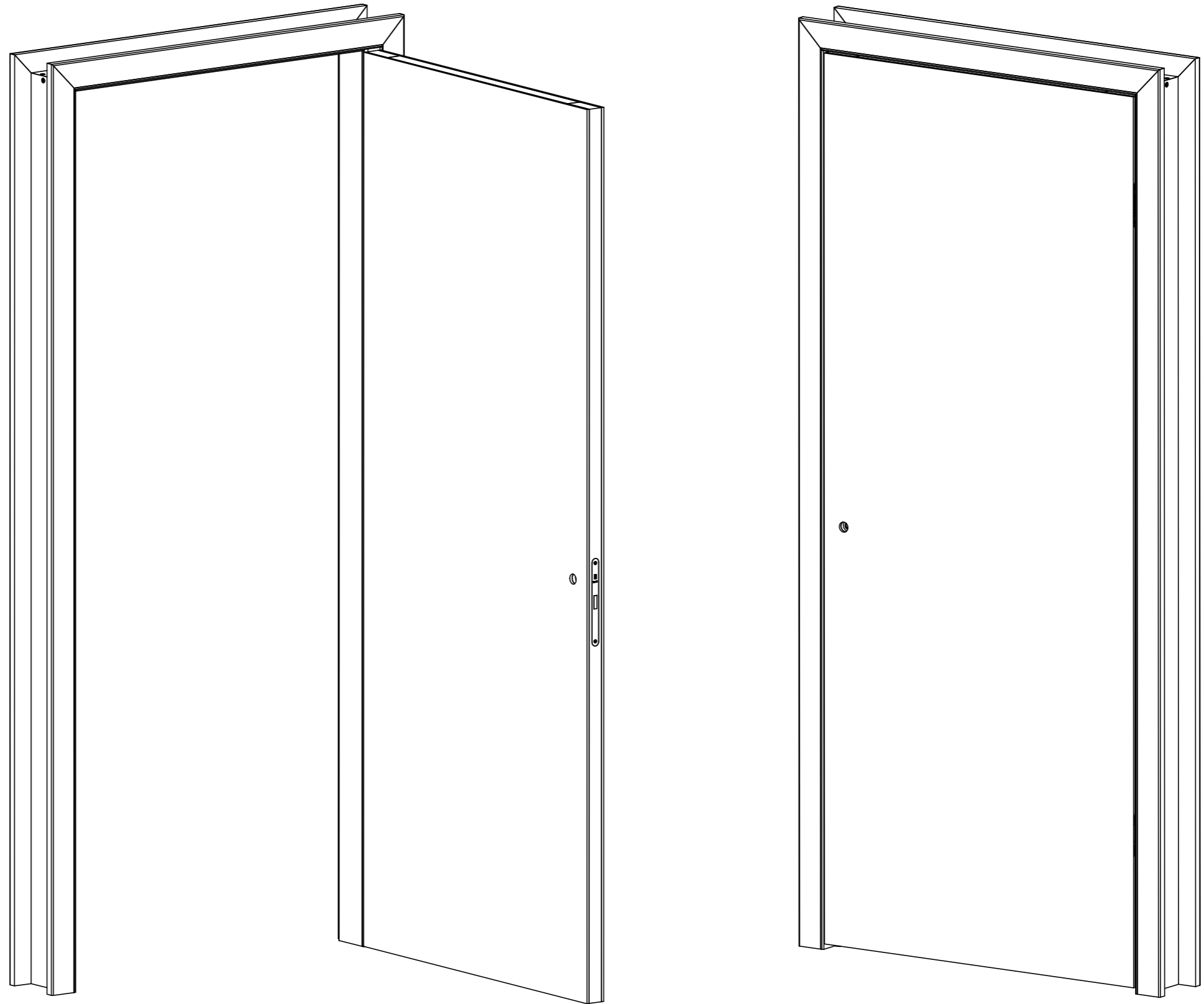
BMD

EMPLOYEE OWNED. BUILDING PARTNERS.

MANUFACTURING

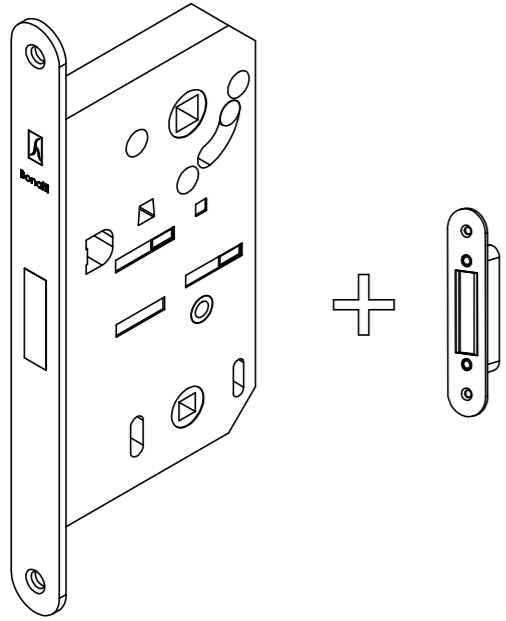
Glenview
DOORS®

Interior Door With Casing Jamb Installation Guide

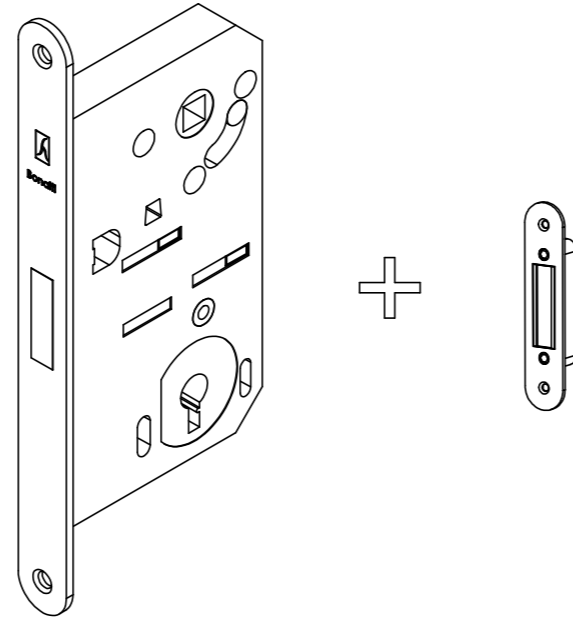


LOCK TYPES

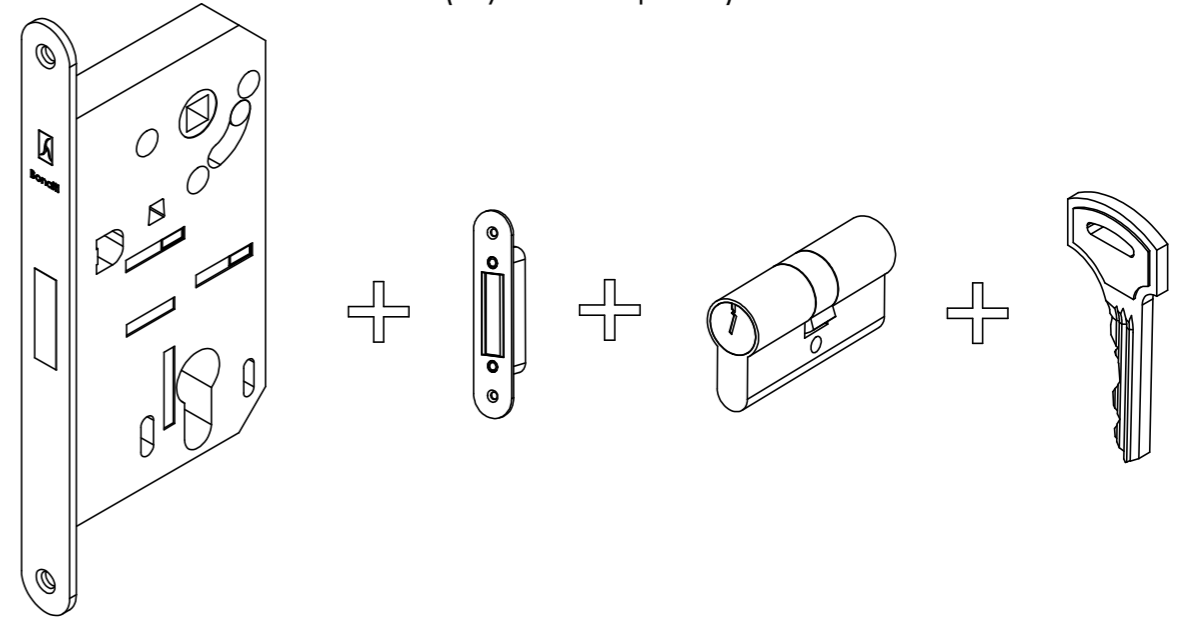
Bonaiti Lock
With Privacy Function



Bonaiti Lock
With Passage Function

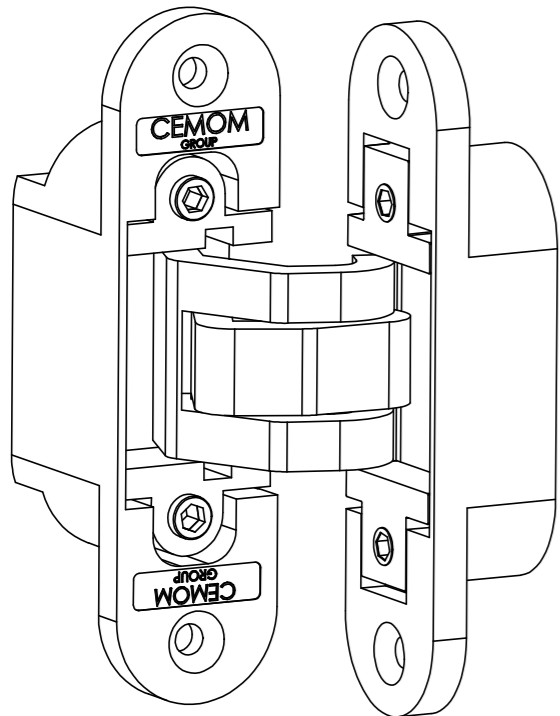


Bonaiti Lock
With Key Function
(Cylinder Option)



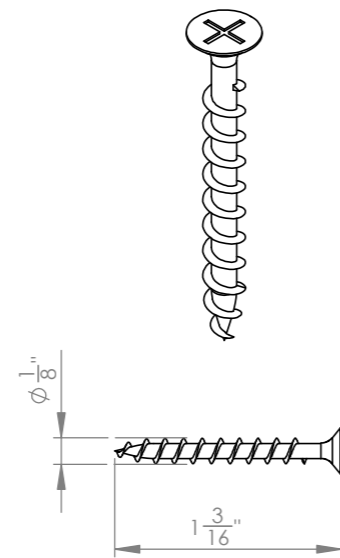
CONCEALED HINGE

Polsoft Estetic 80

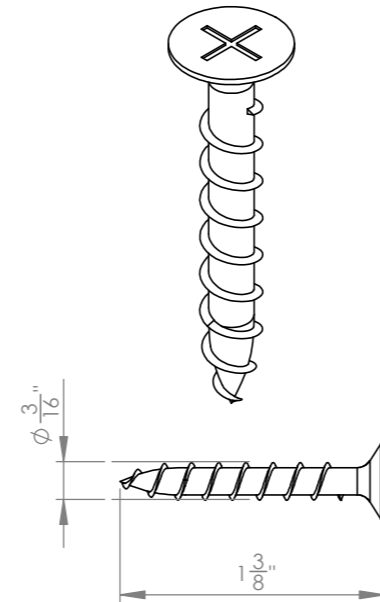


SCREWS

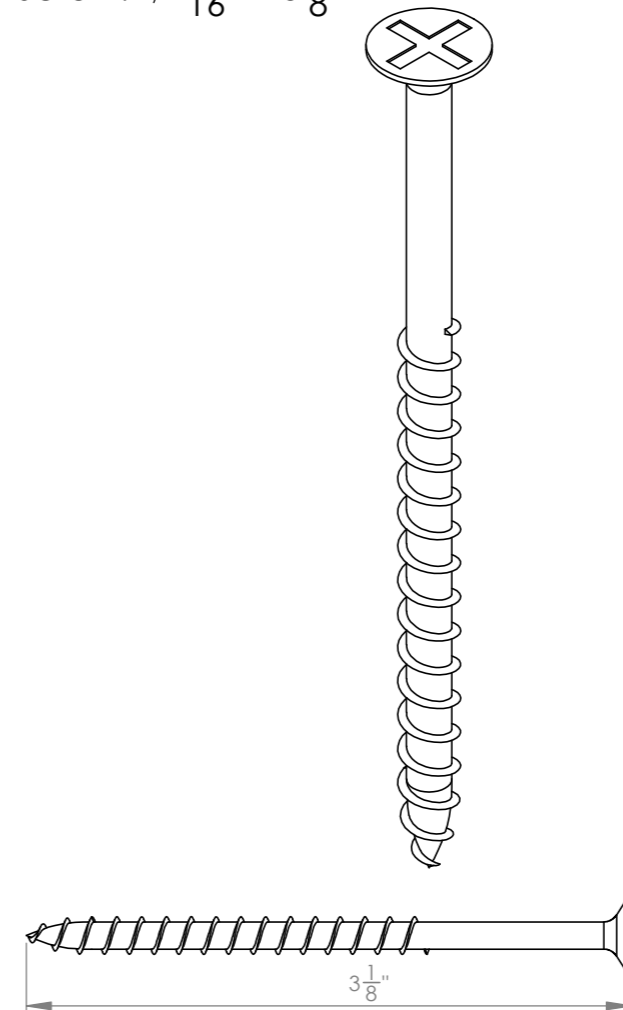
Screw: $\phi \frac{1}{8}'' \times 1 \frac{3}{16}''$



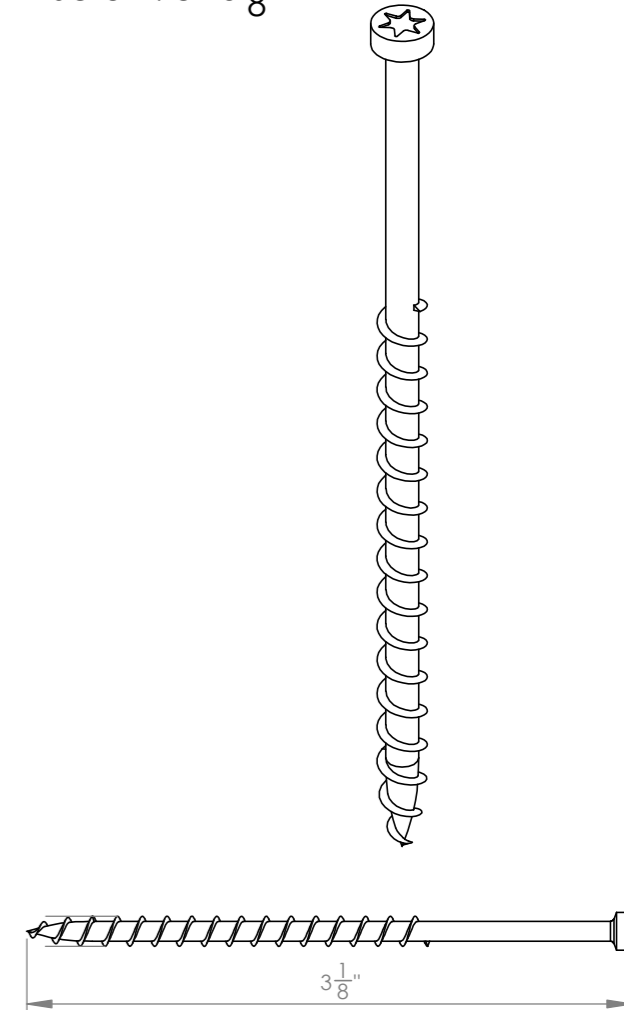
Screw: $\phi \frac{3}{16}'' \times 1 \frac{3}{8}''$



Screw: $\phi \frac{3}{16}'' \times 3 \frac{1}{8}''$

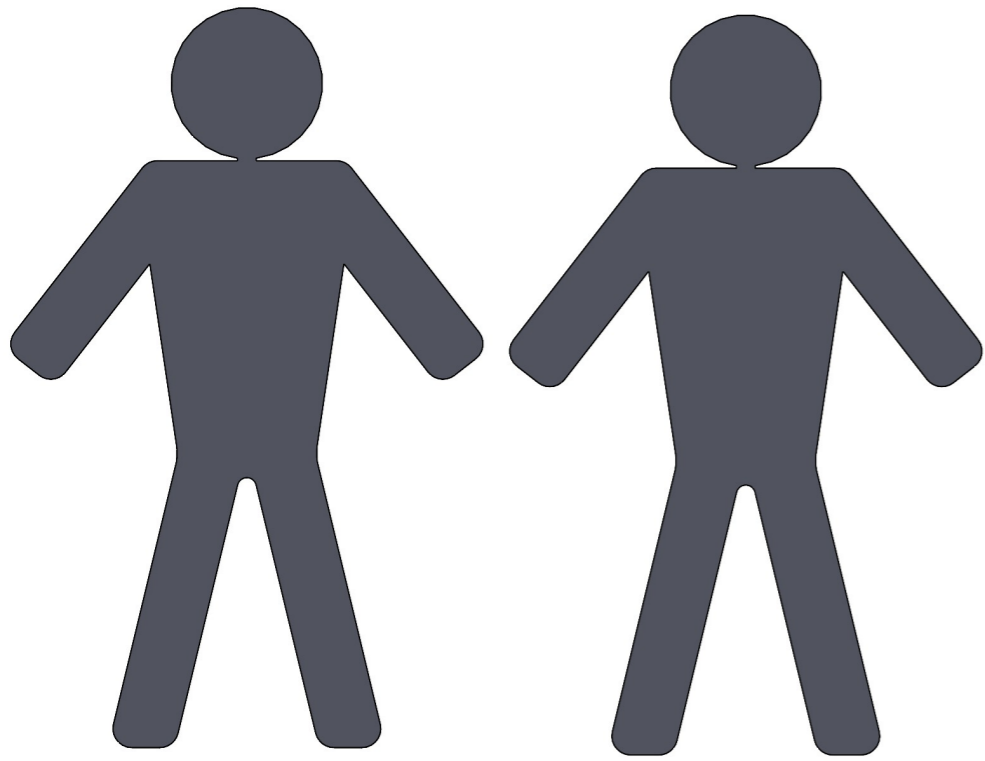


Screw: $8 \times 3 \frac{1}{8}''$

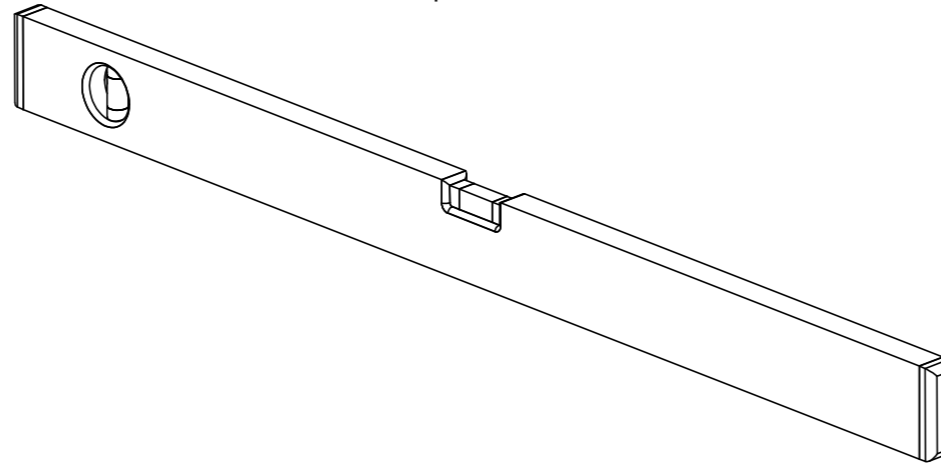


Gasket

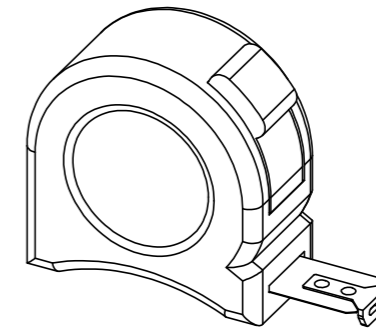




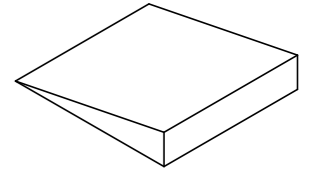
Spirit Level



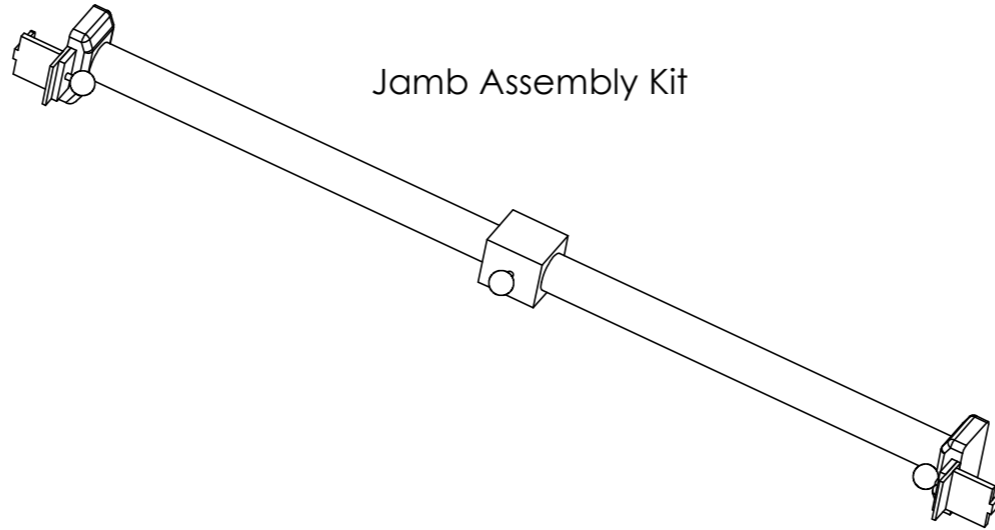
Measure Tape



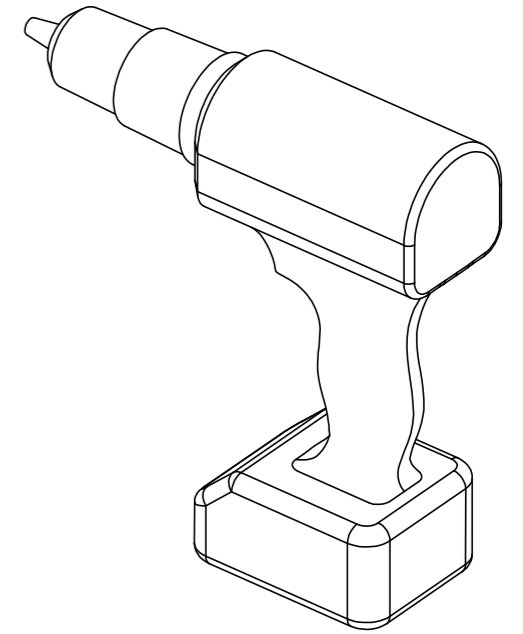
Shim



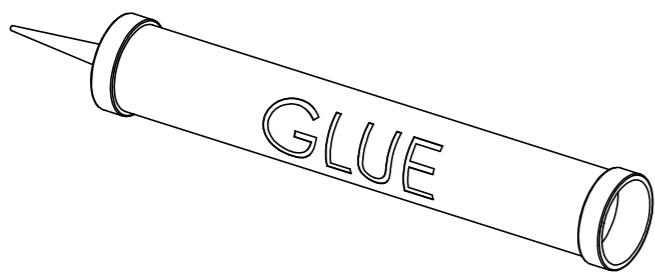
Jamb Assembly Kit



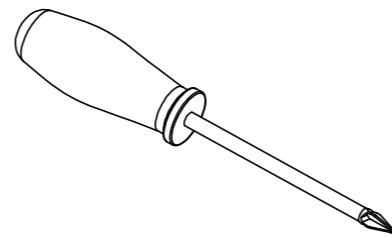
Impact Driver



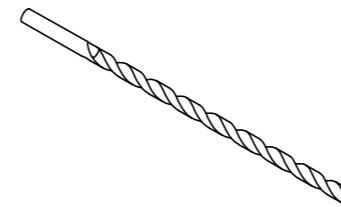
Glue



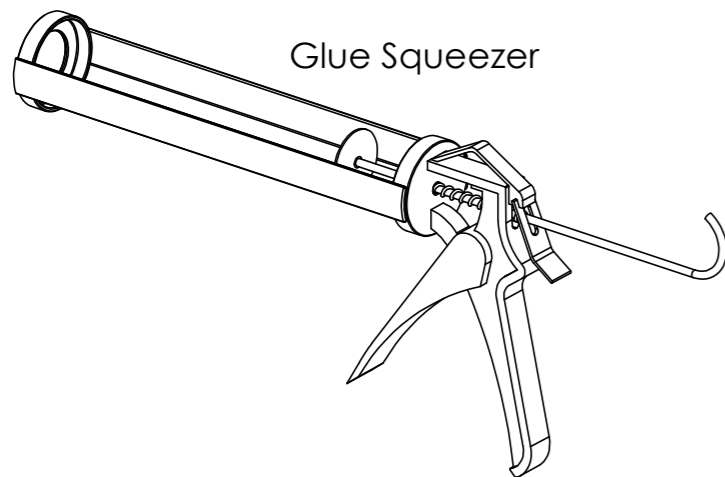
Screwdriver



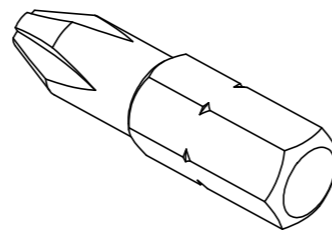
Drill



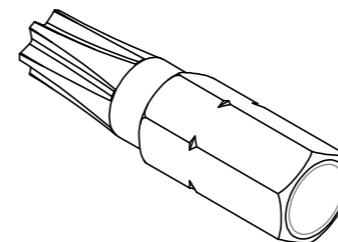
Glue Squeezer



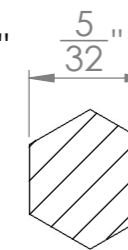
Screwdriver Bit



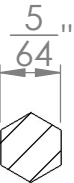
Torx T10



Allen Key 5/32"

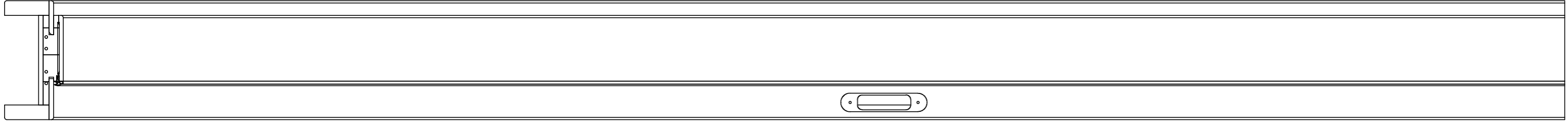


Allen Key 5/64"

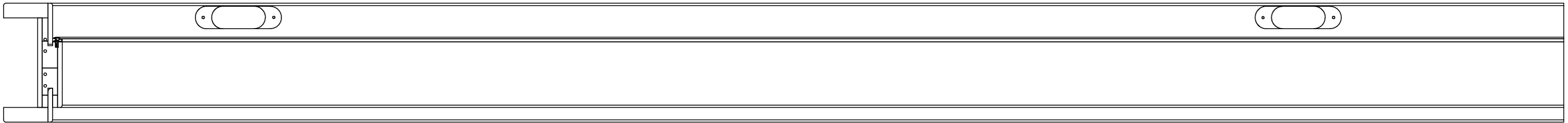


DOOR ELEMENTS

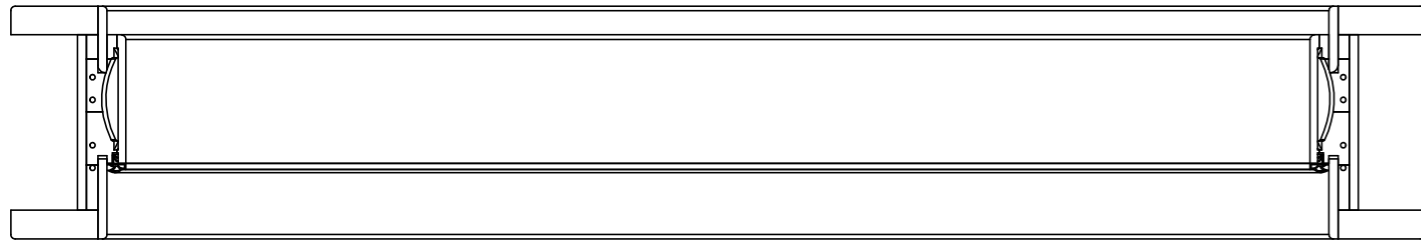
Jamb Leg With Lock Plate Preparation



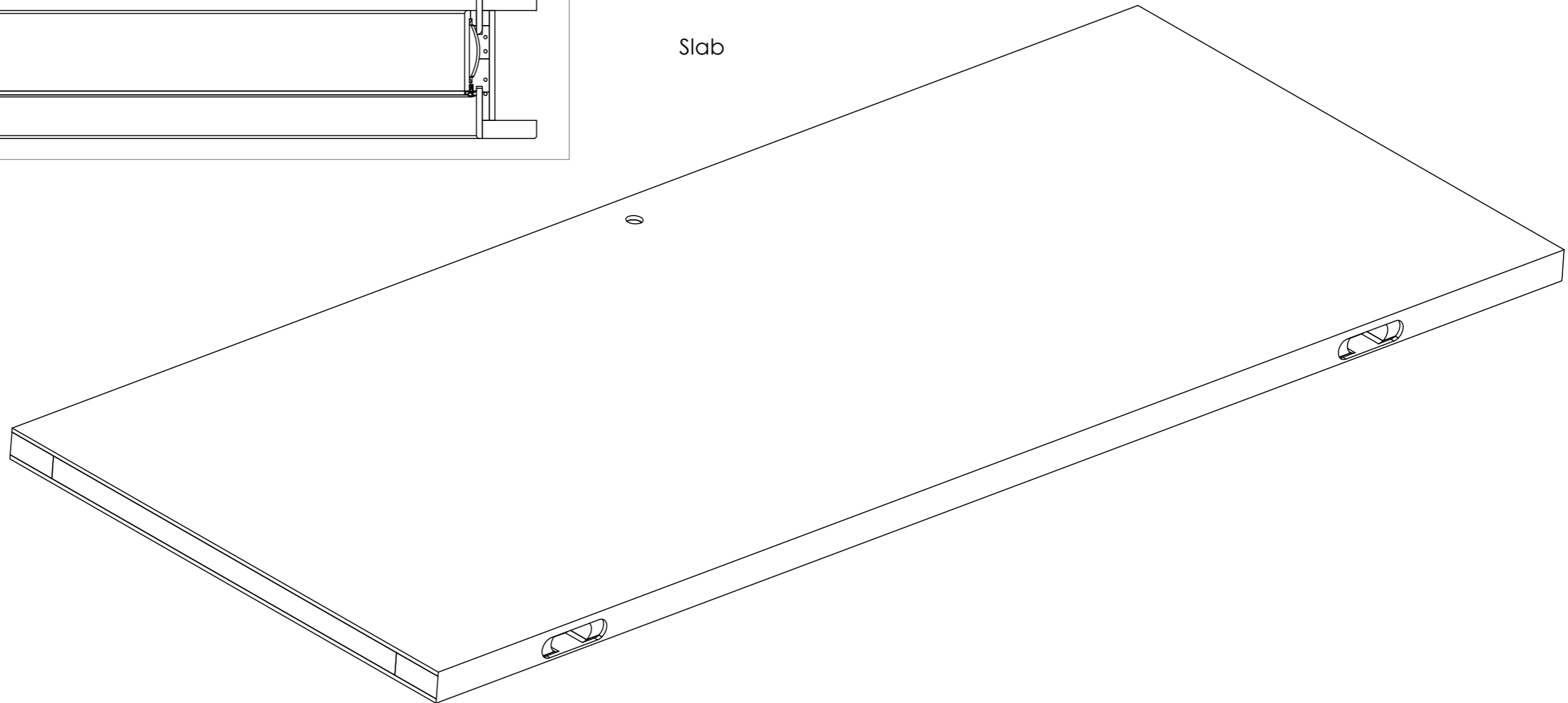
Jamb Leg With Hinge Preparation



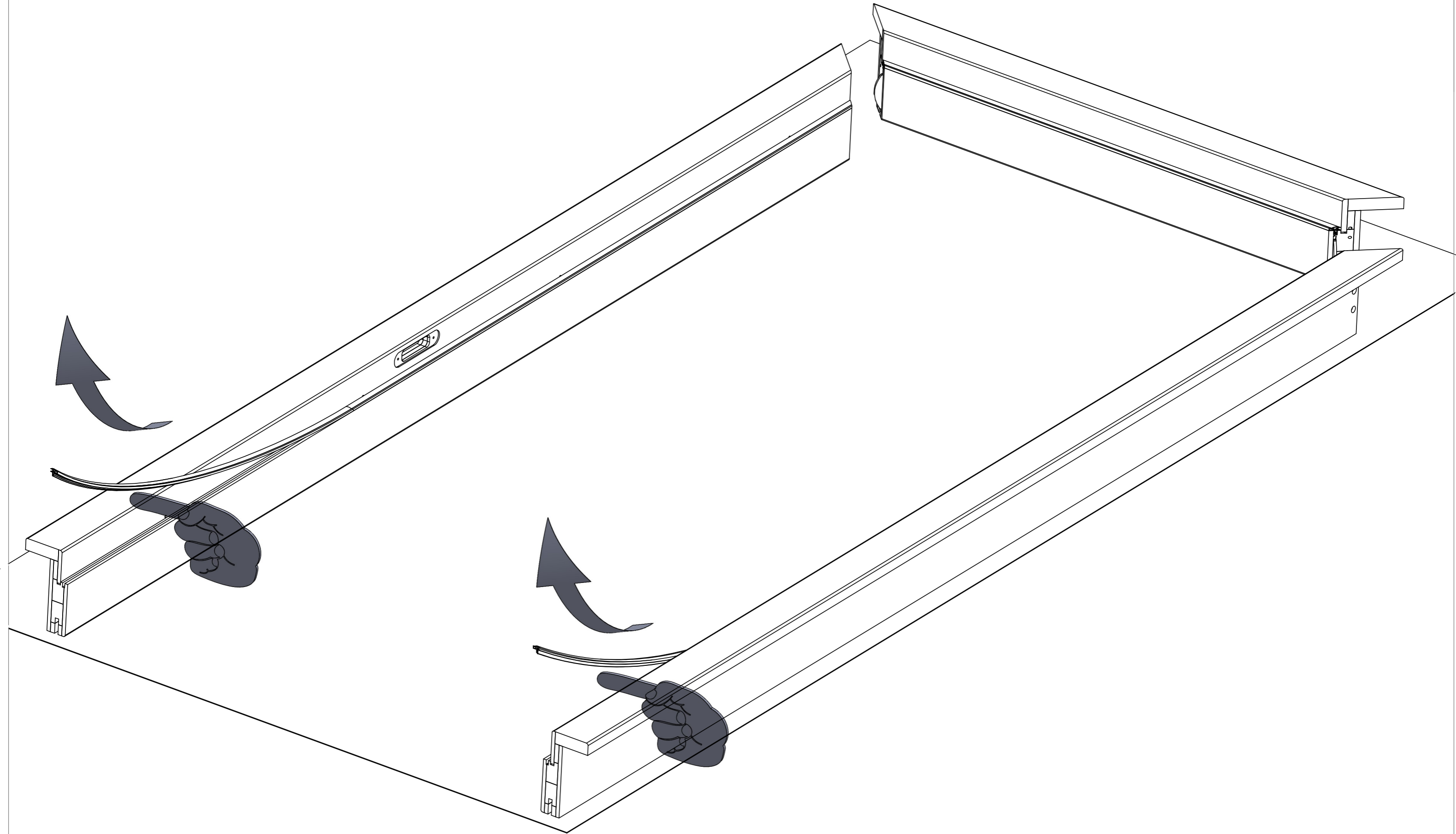
Jamb Head



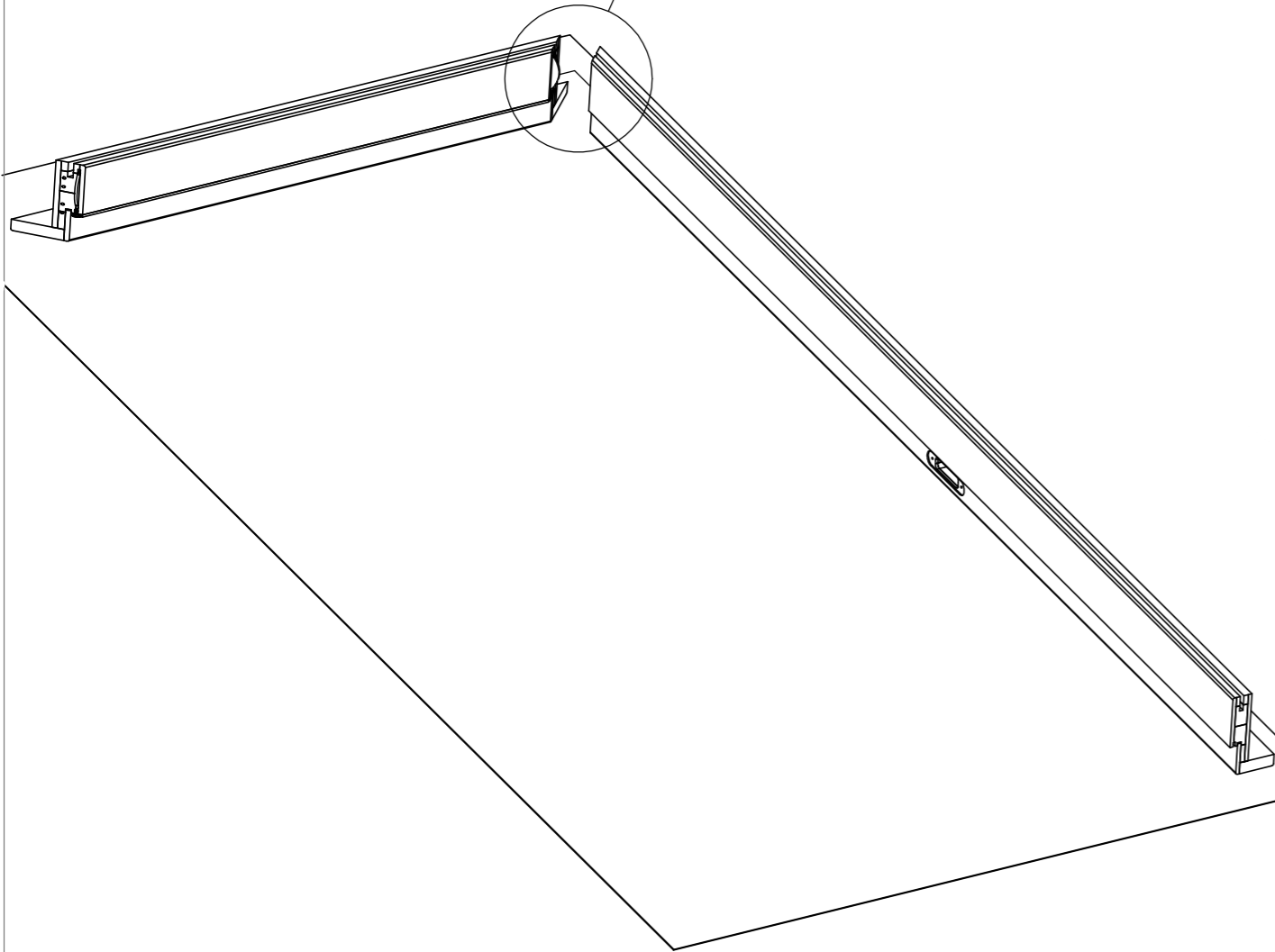
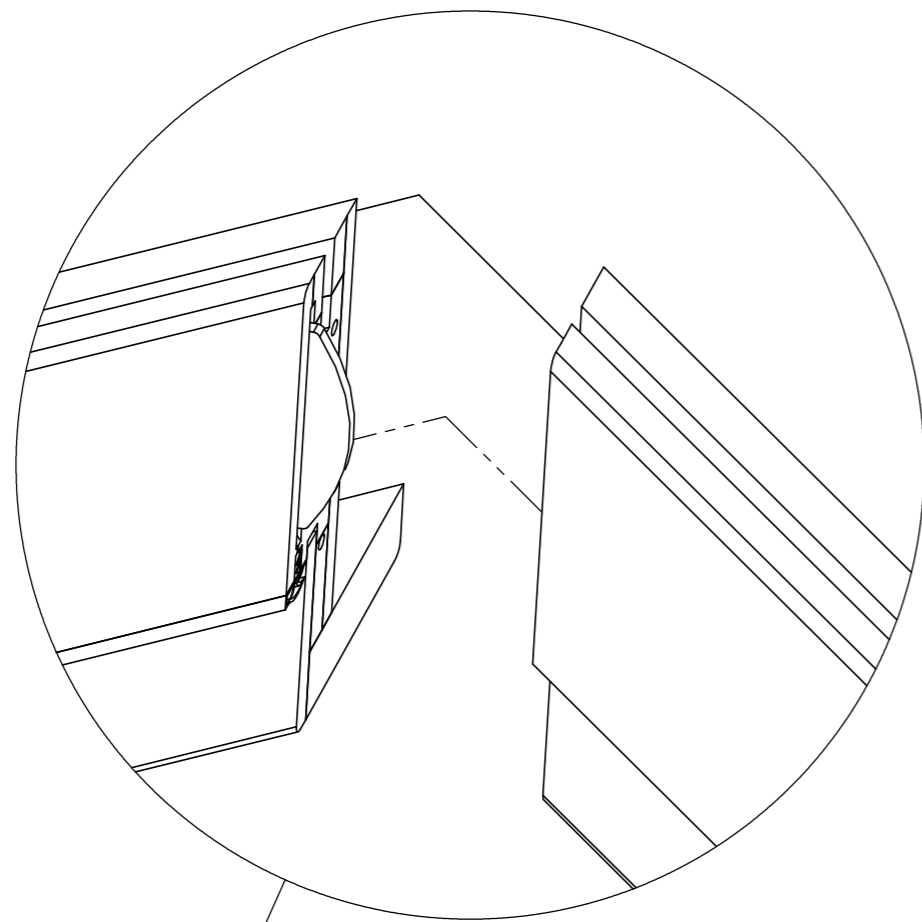
Slab



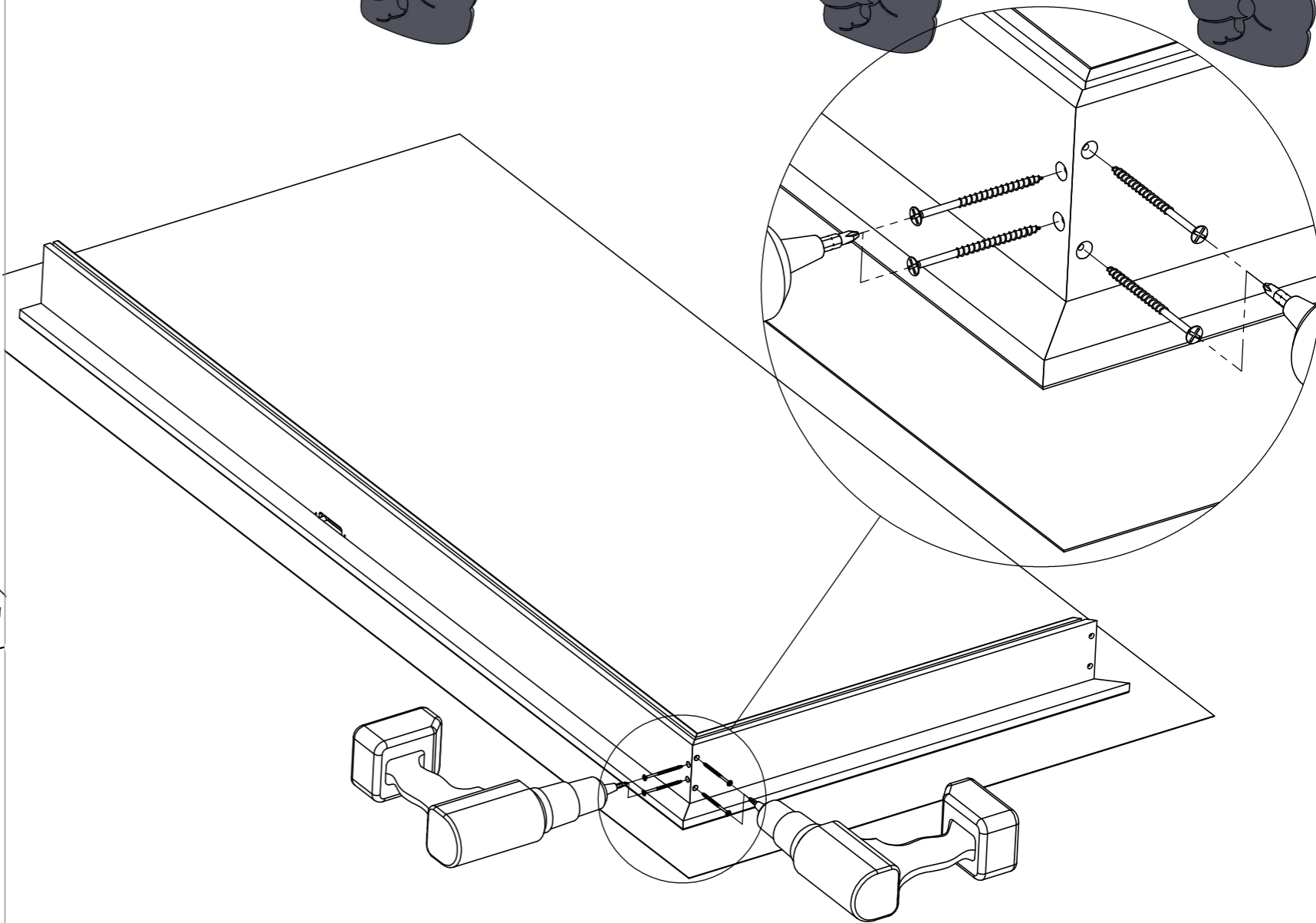
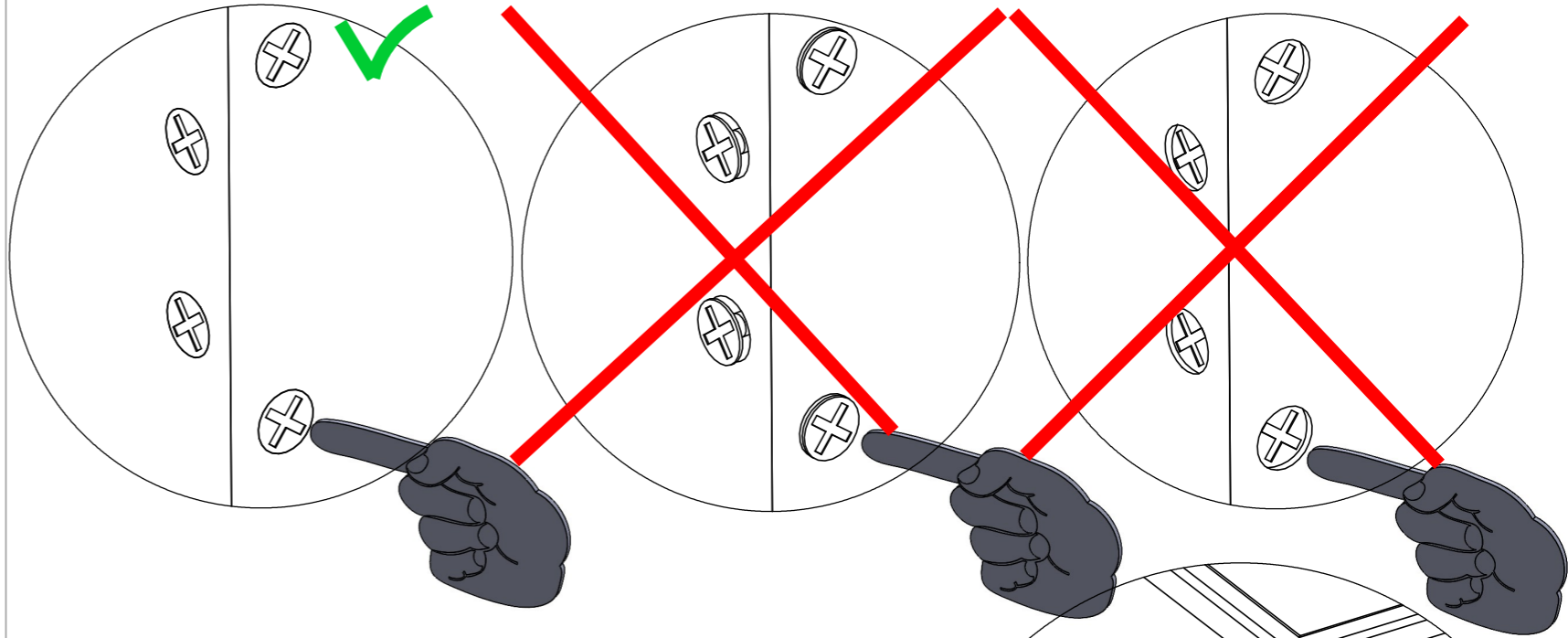
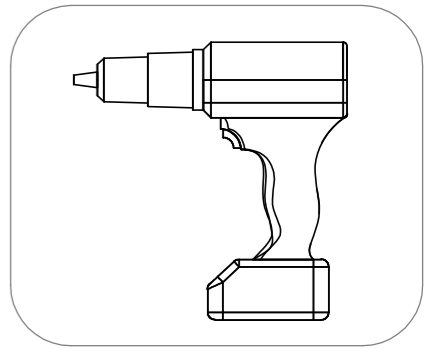
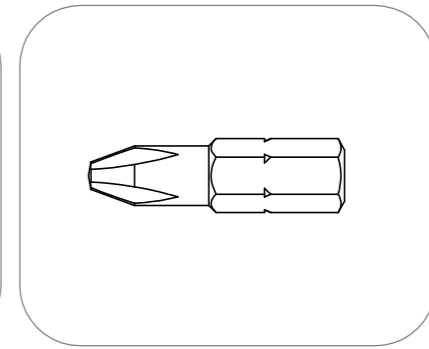
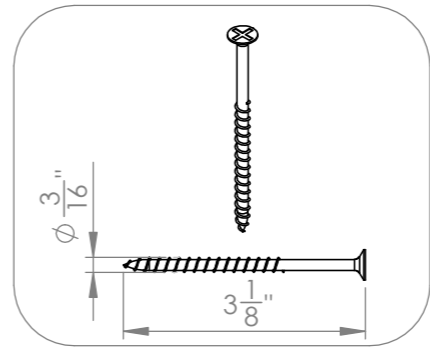
Step 1



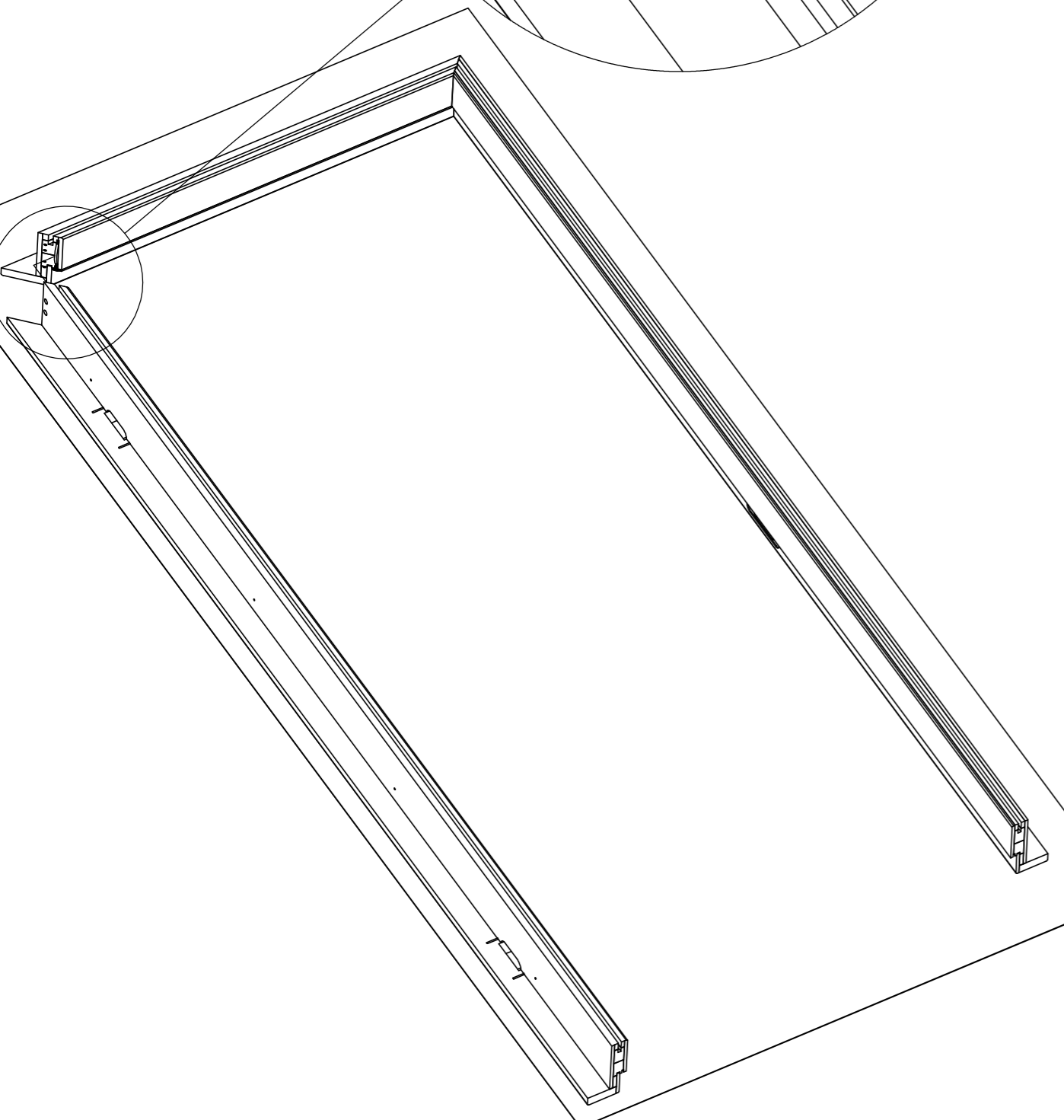
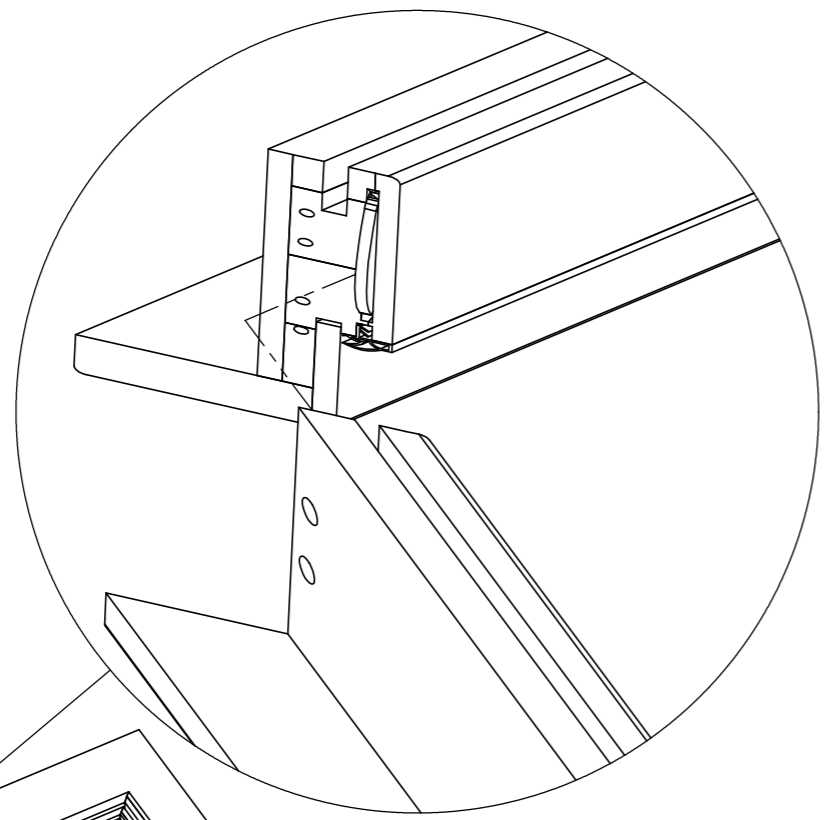
Step 2



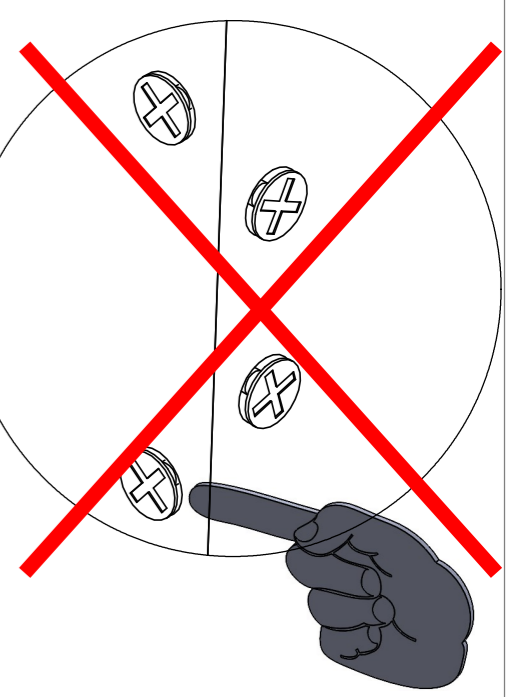
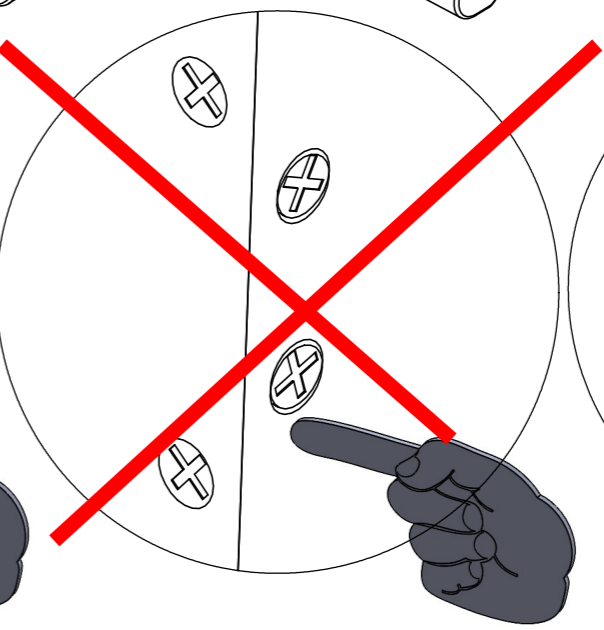
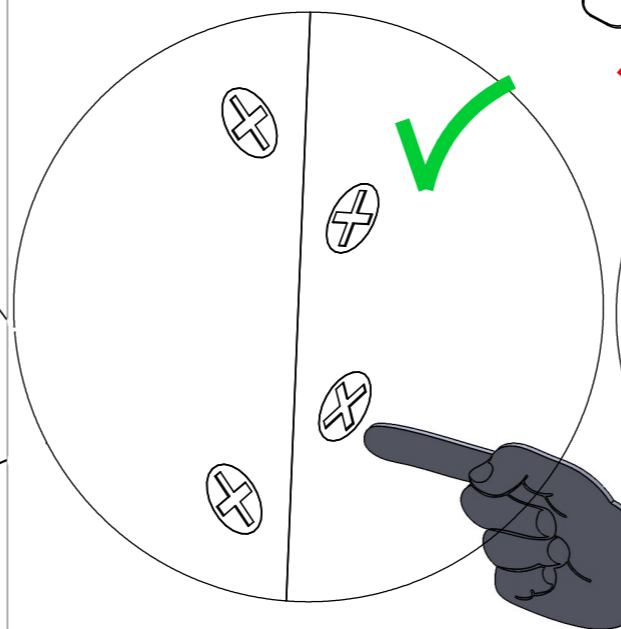
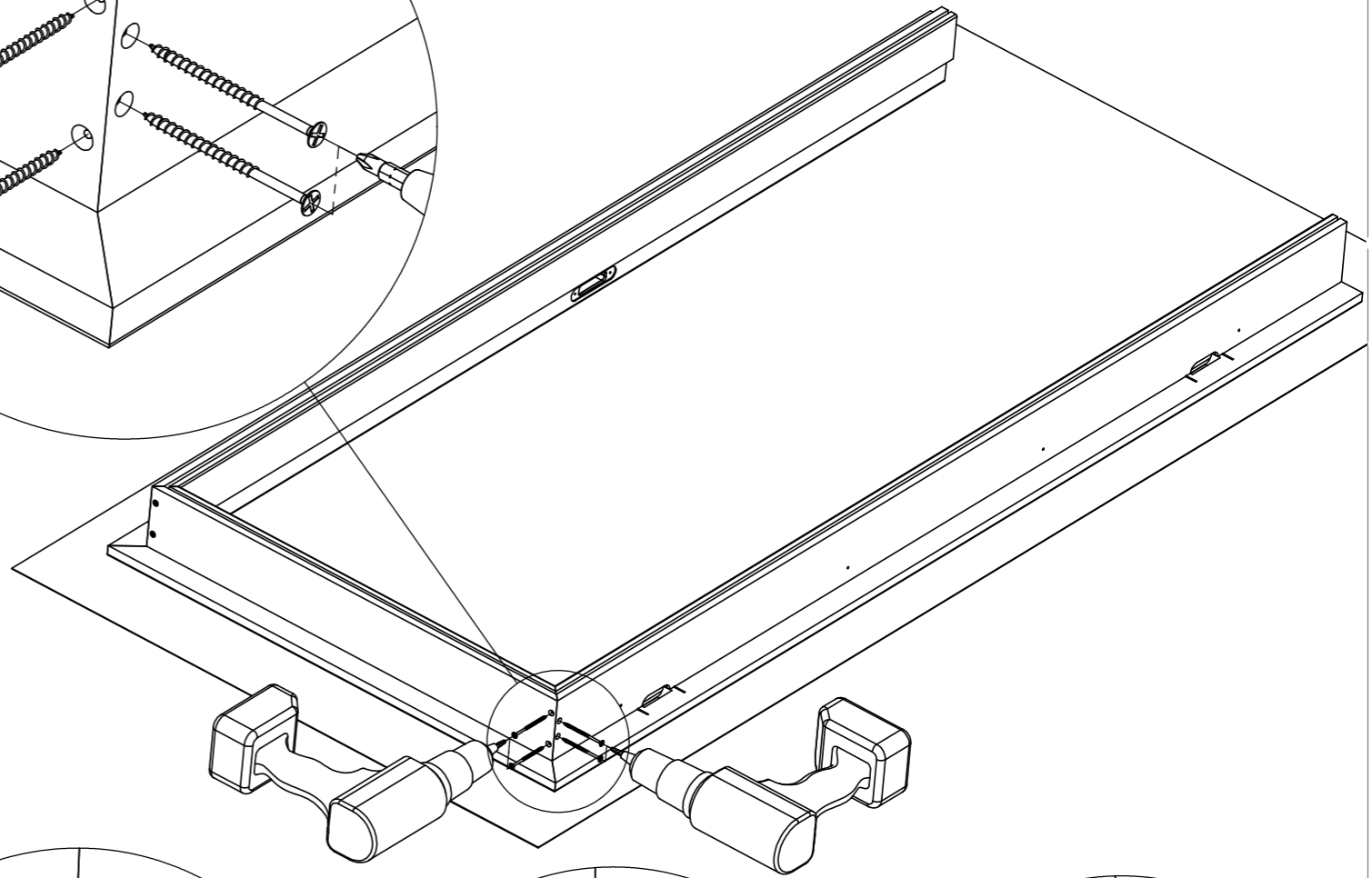
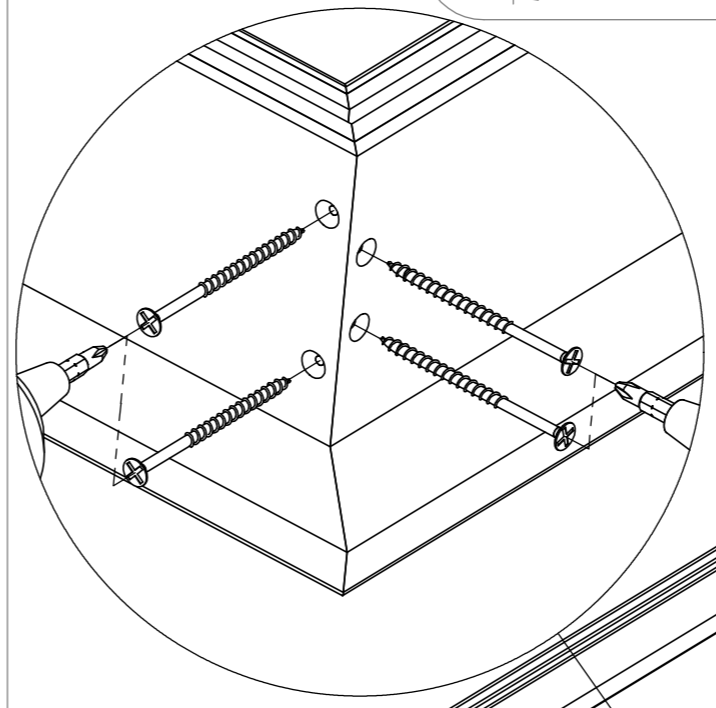
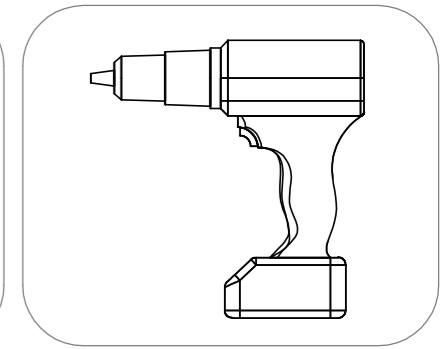
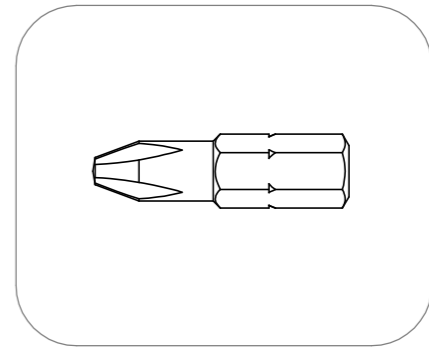
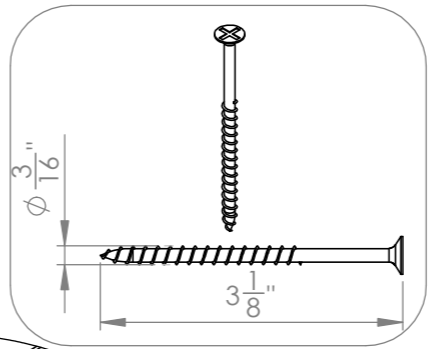
Step 3



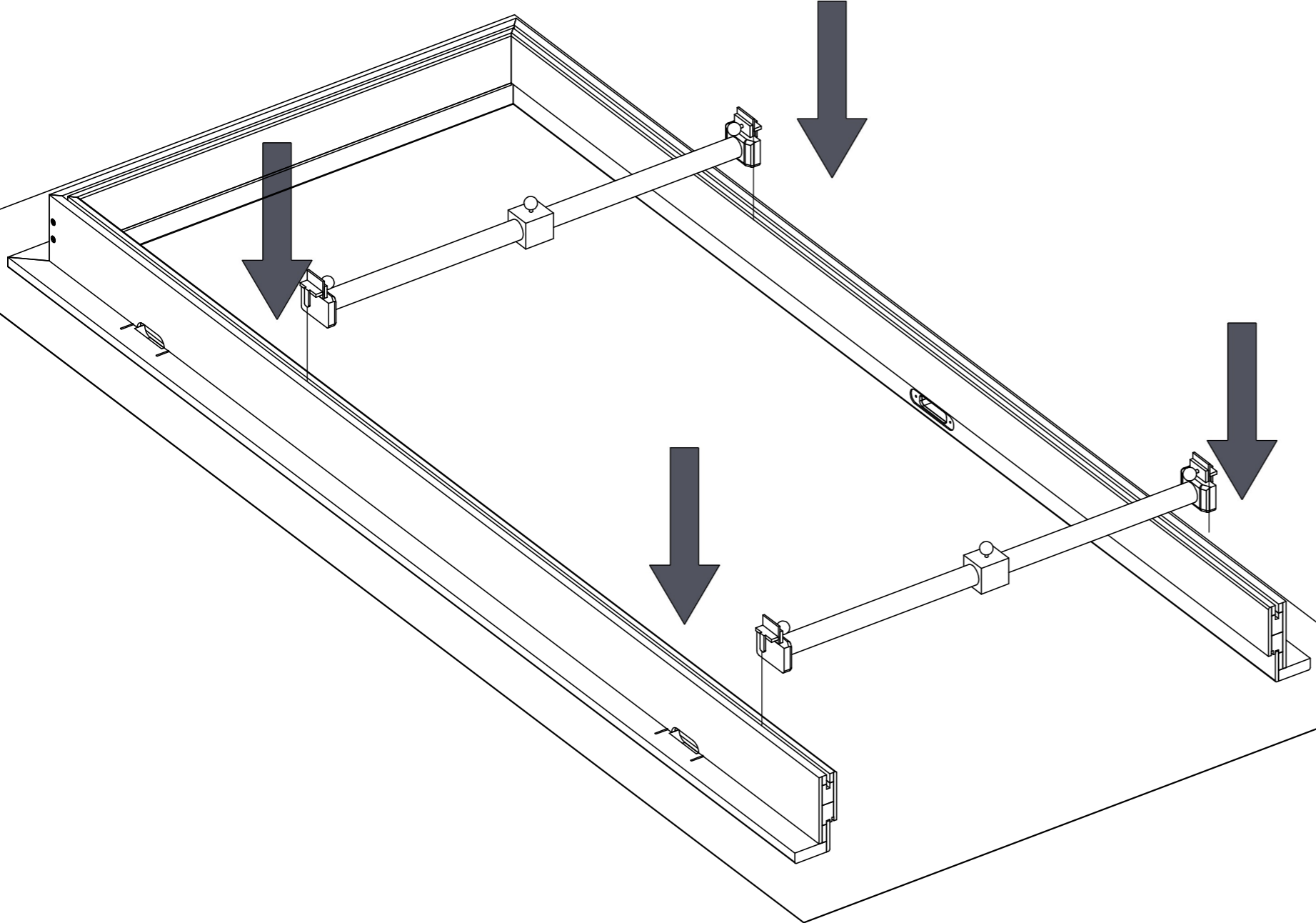
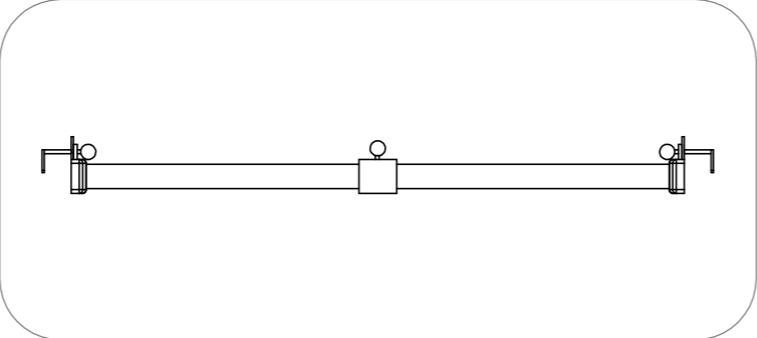
Step 4



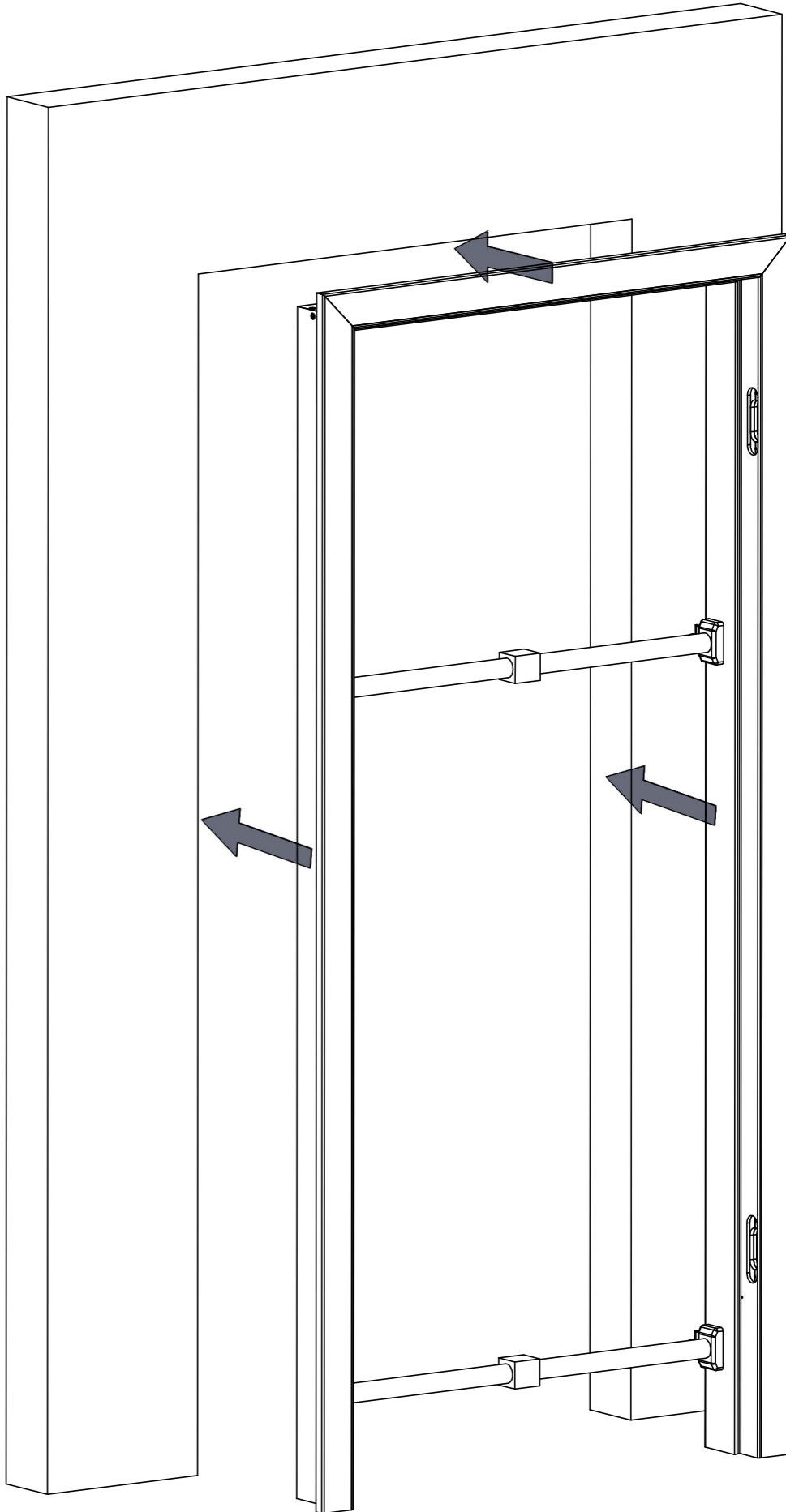
Step 5



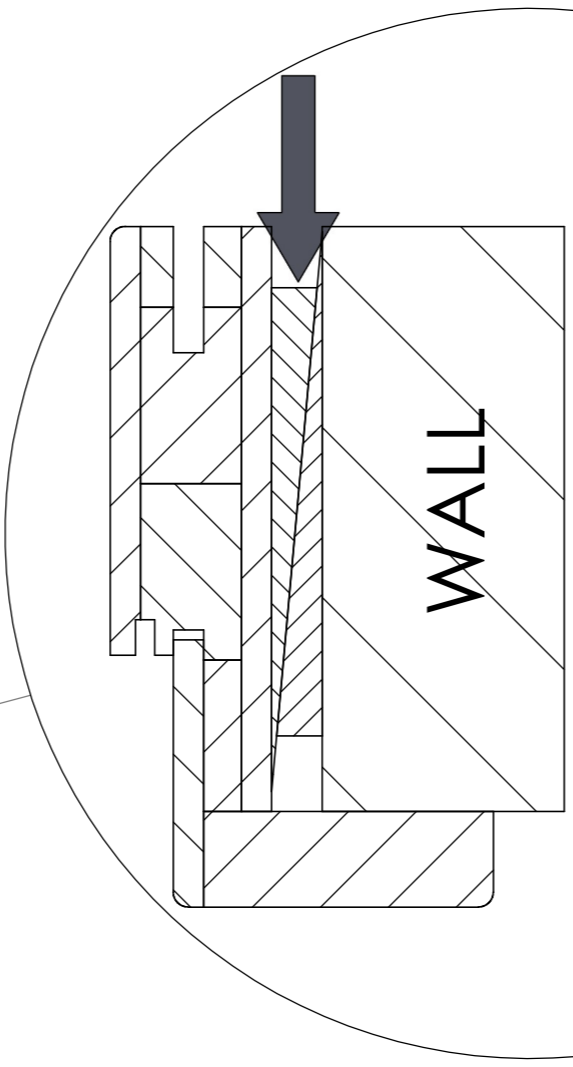
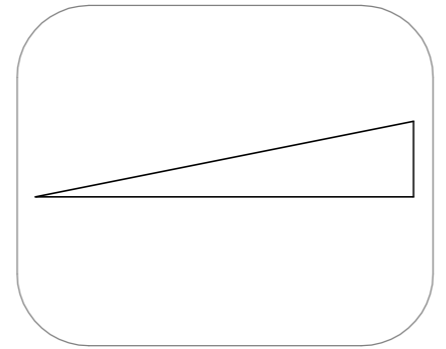
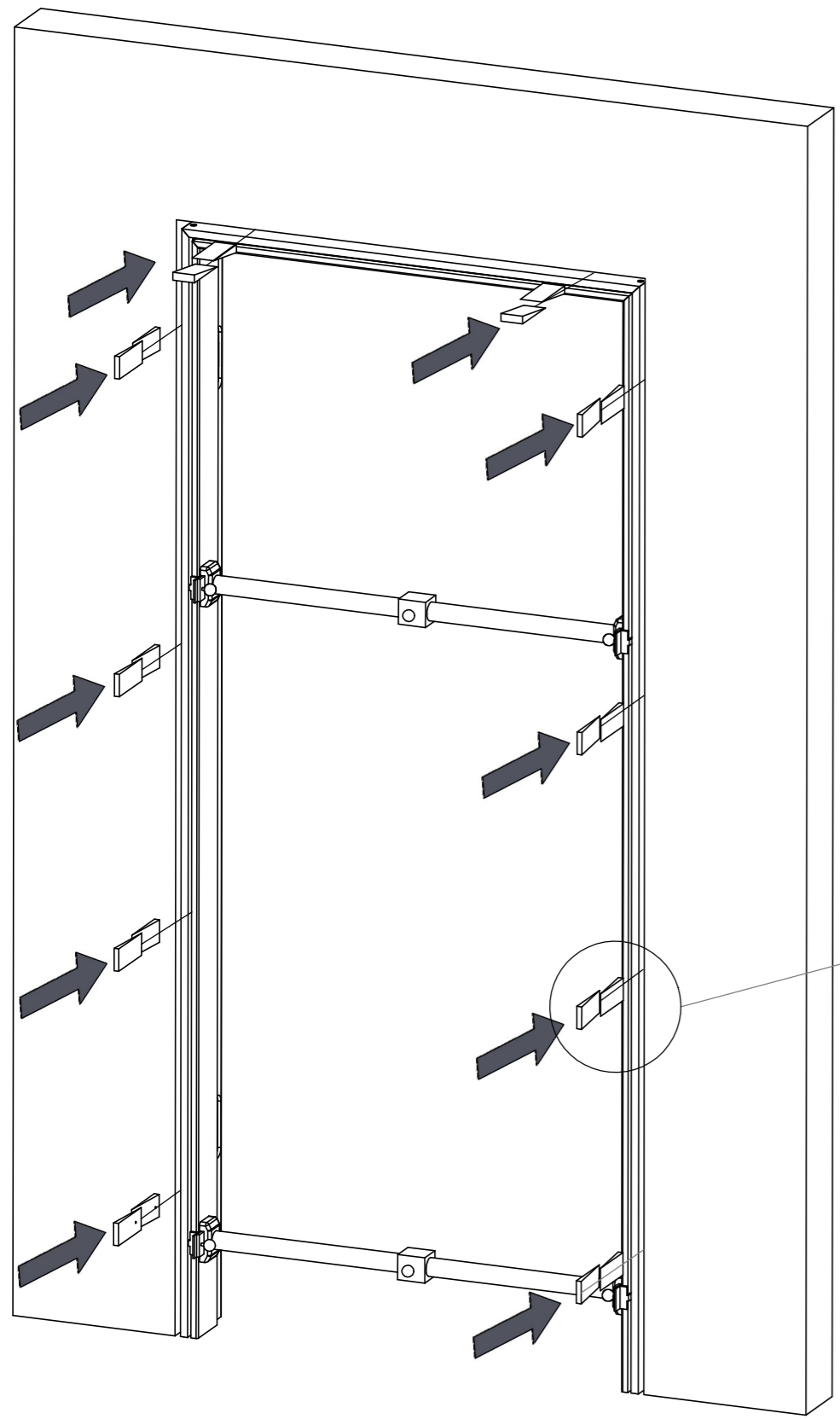
Step 6



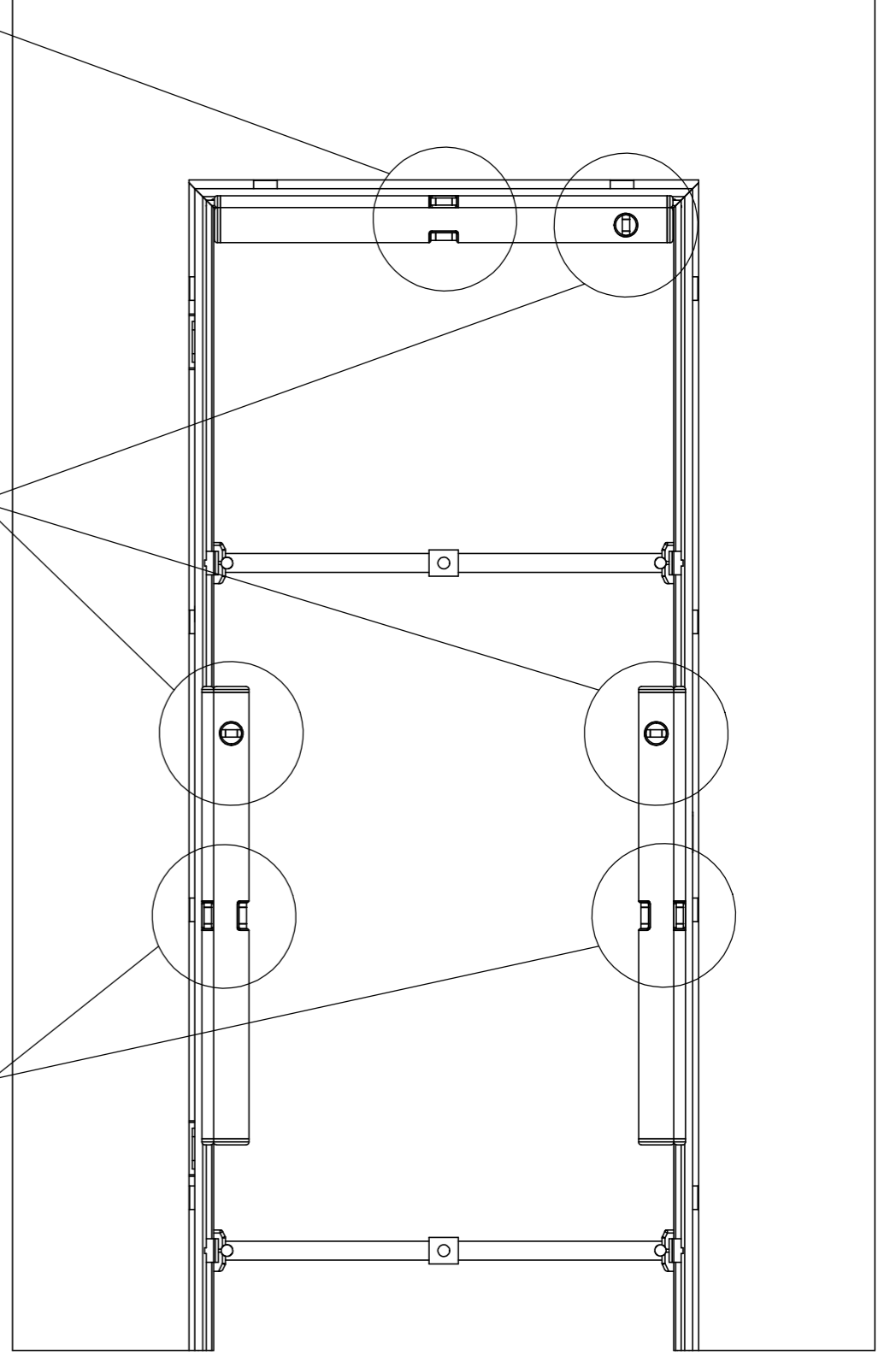
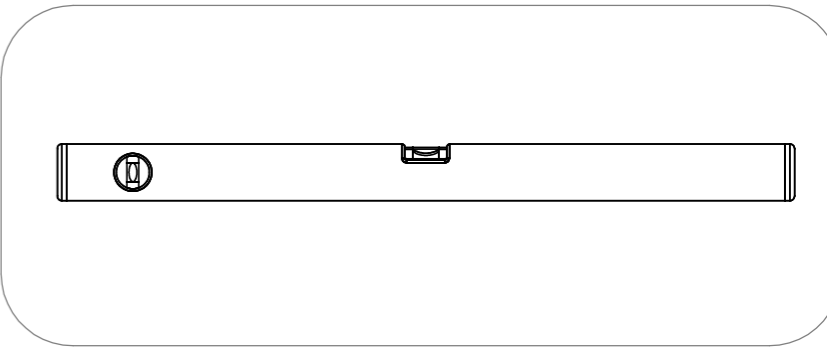
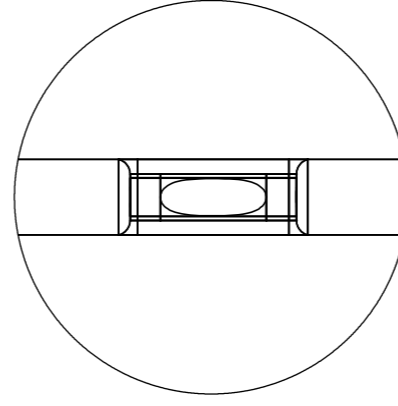
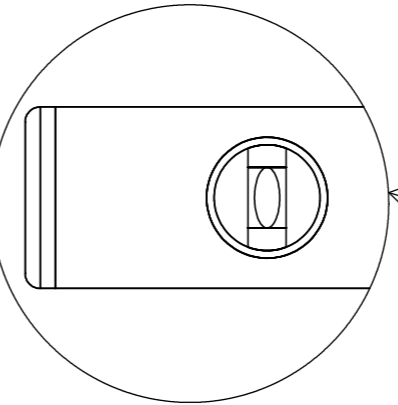
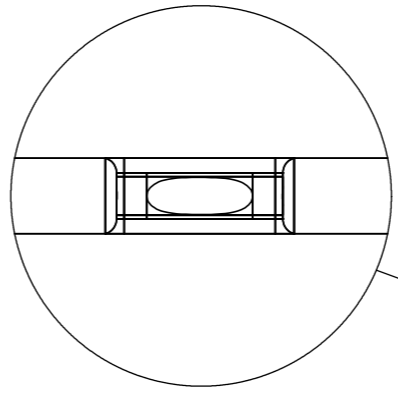
Step 7



Step 8

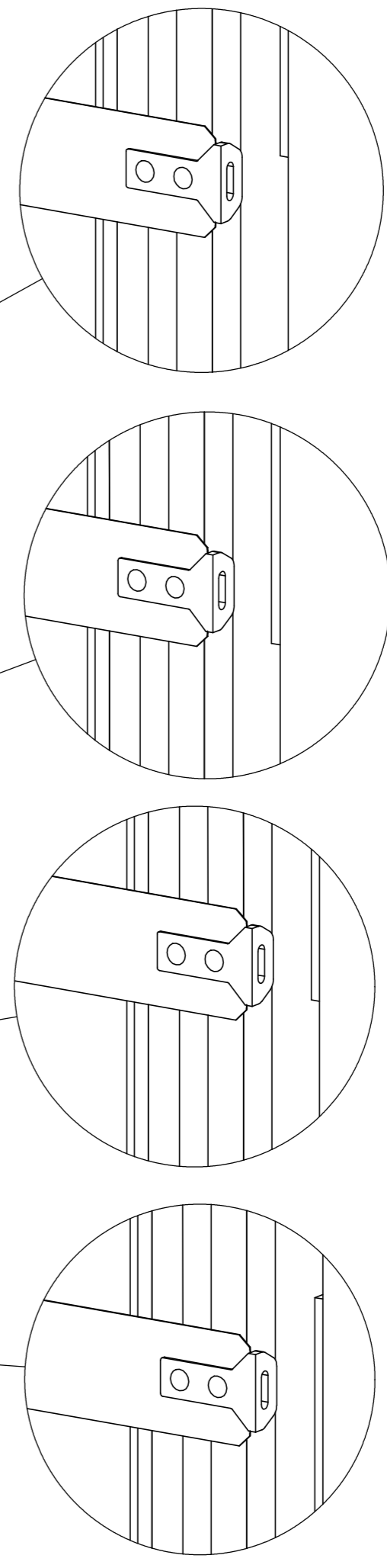
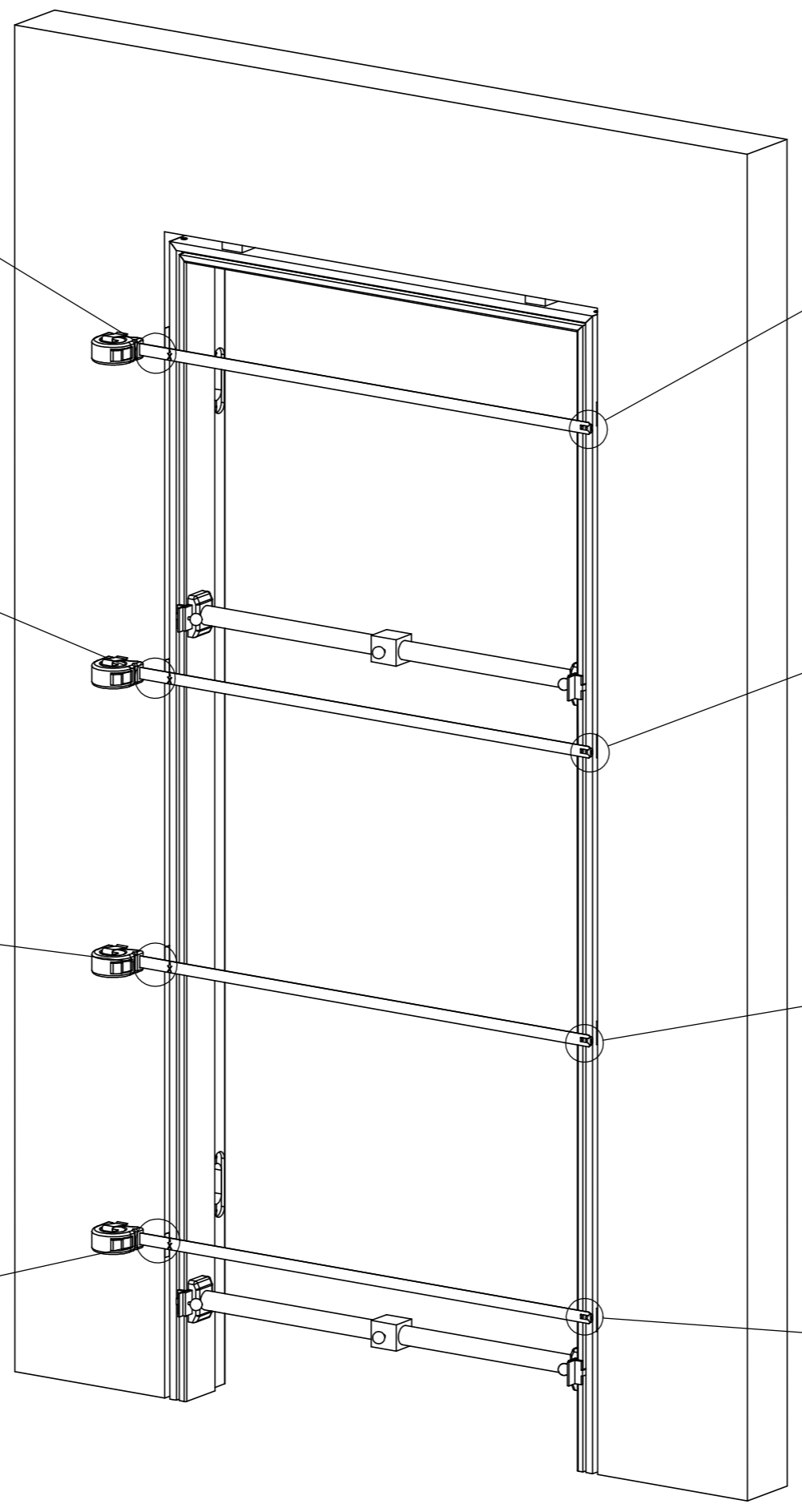
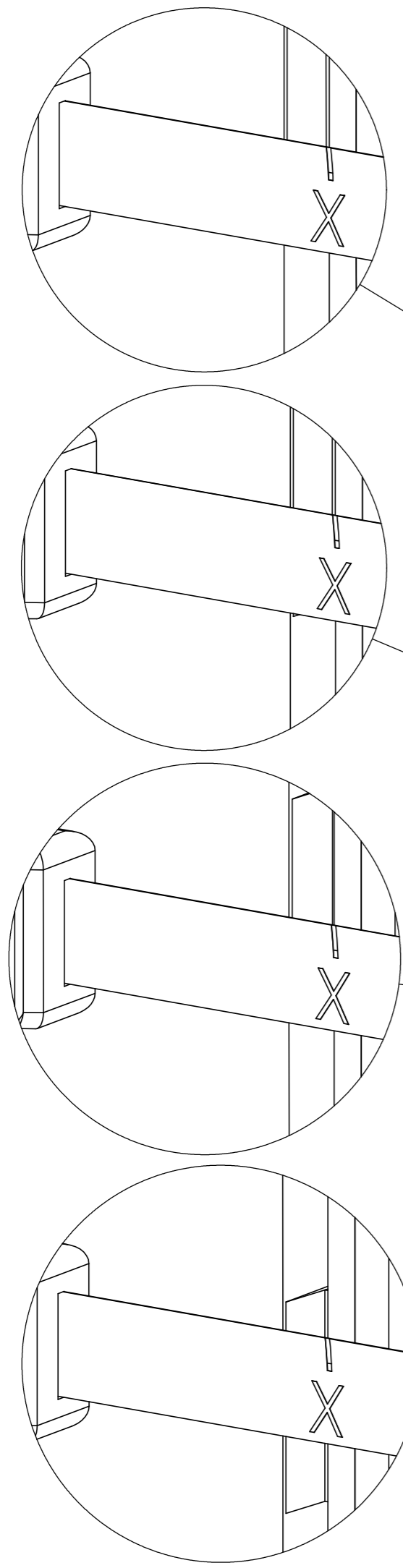
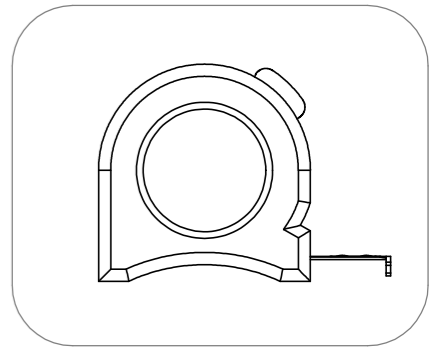


Step 9

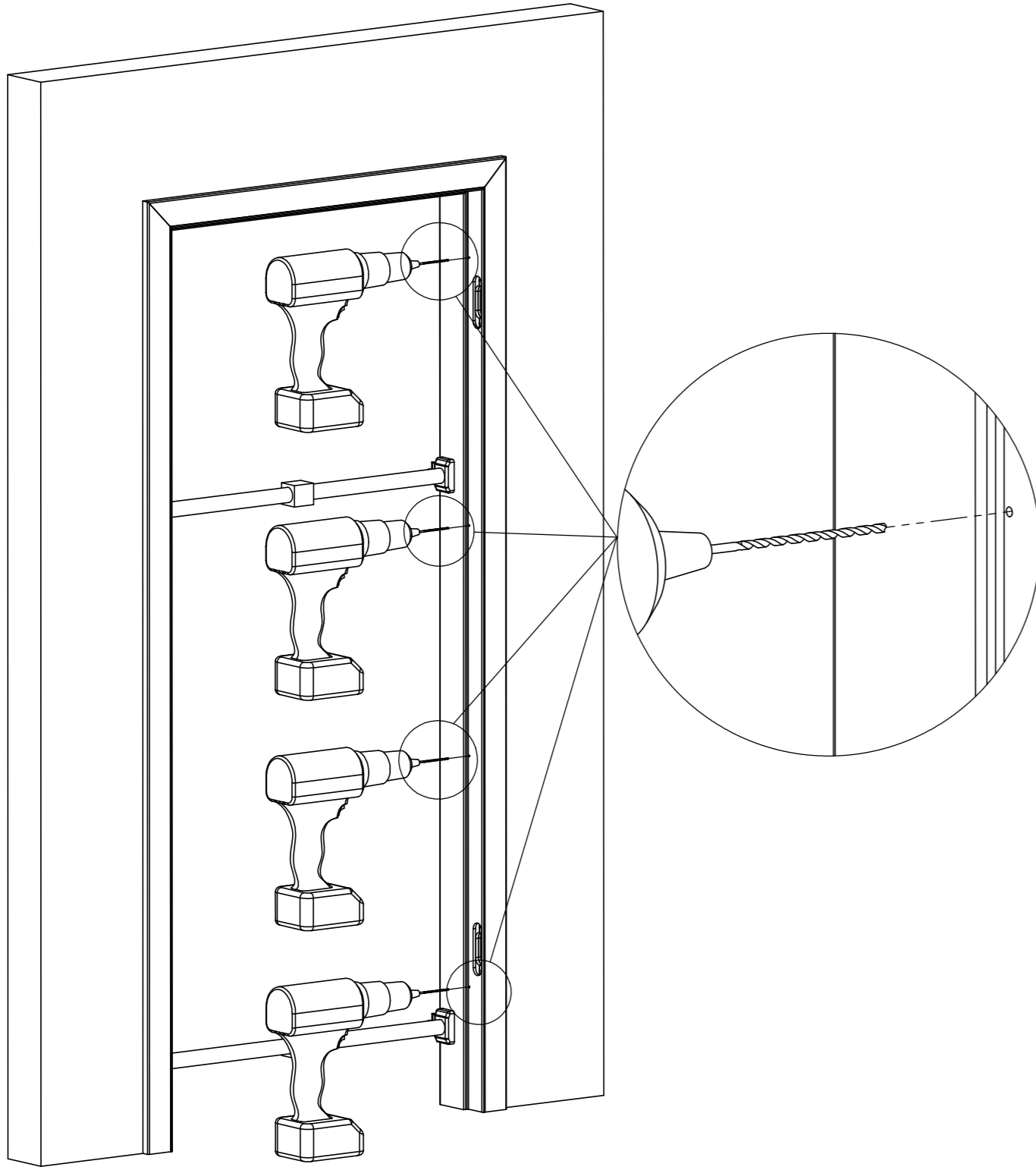
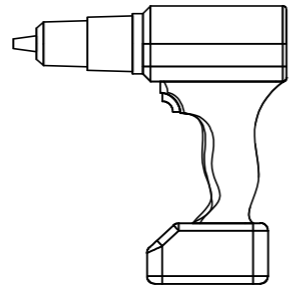
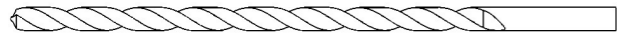


Step 10

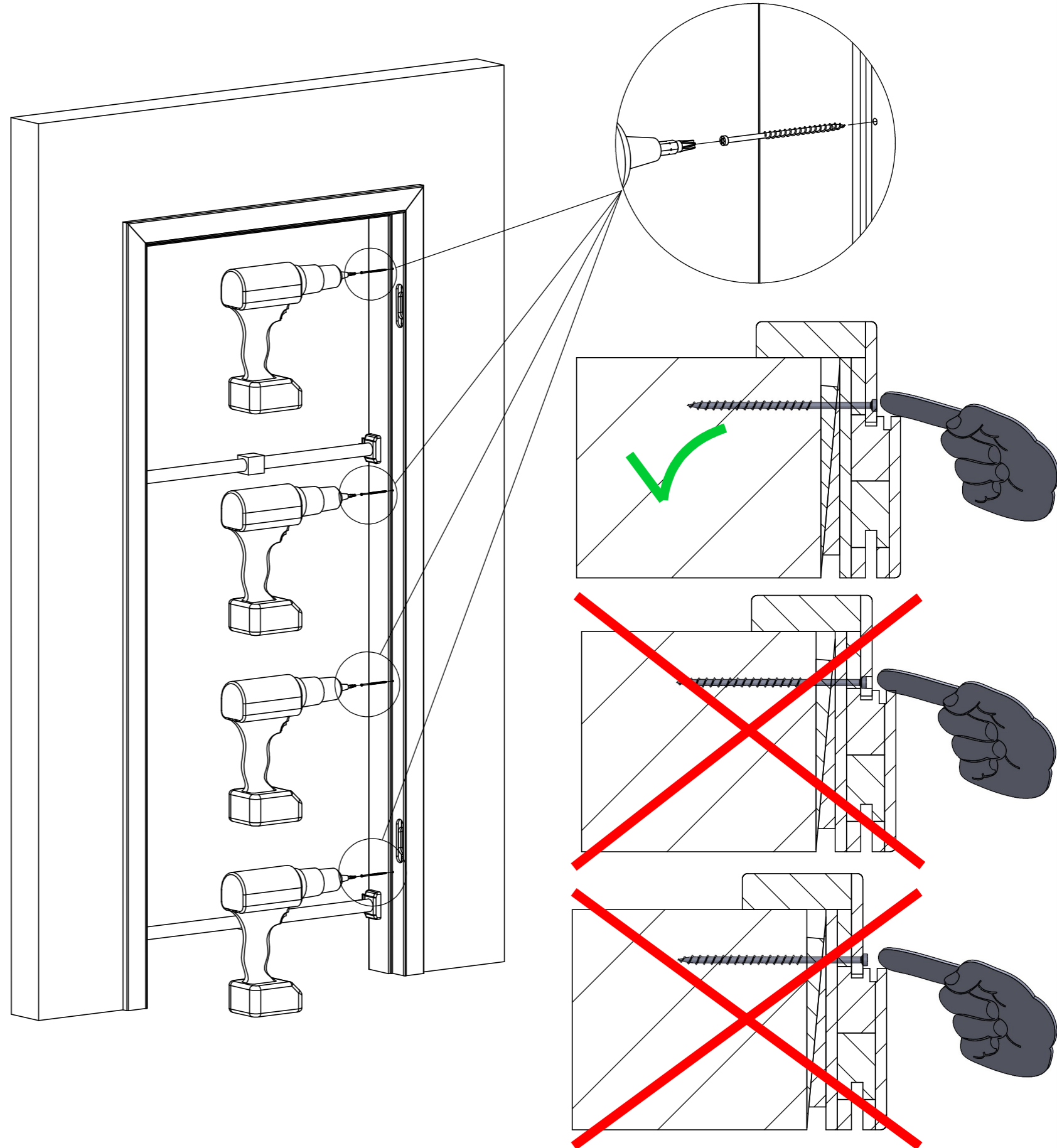
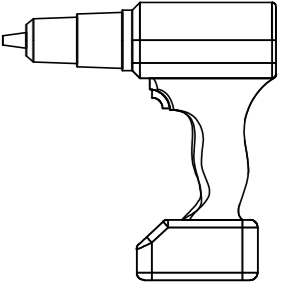
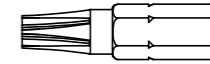
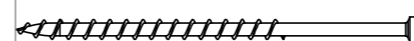
DIM1=DIM2=DIM3=DIM4 !!!



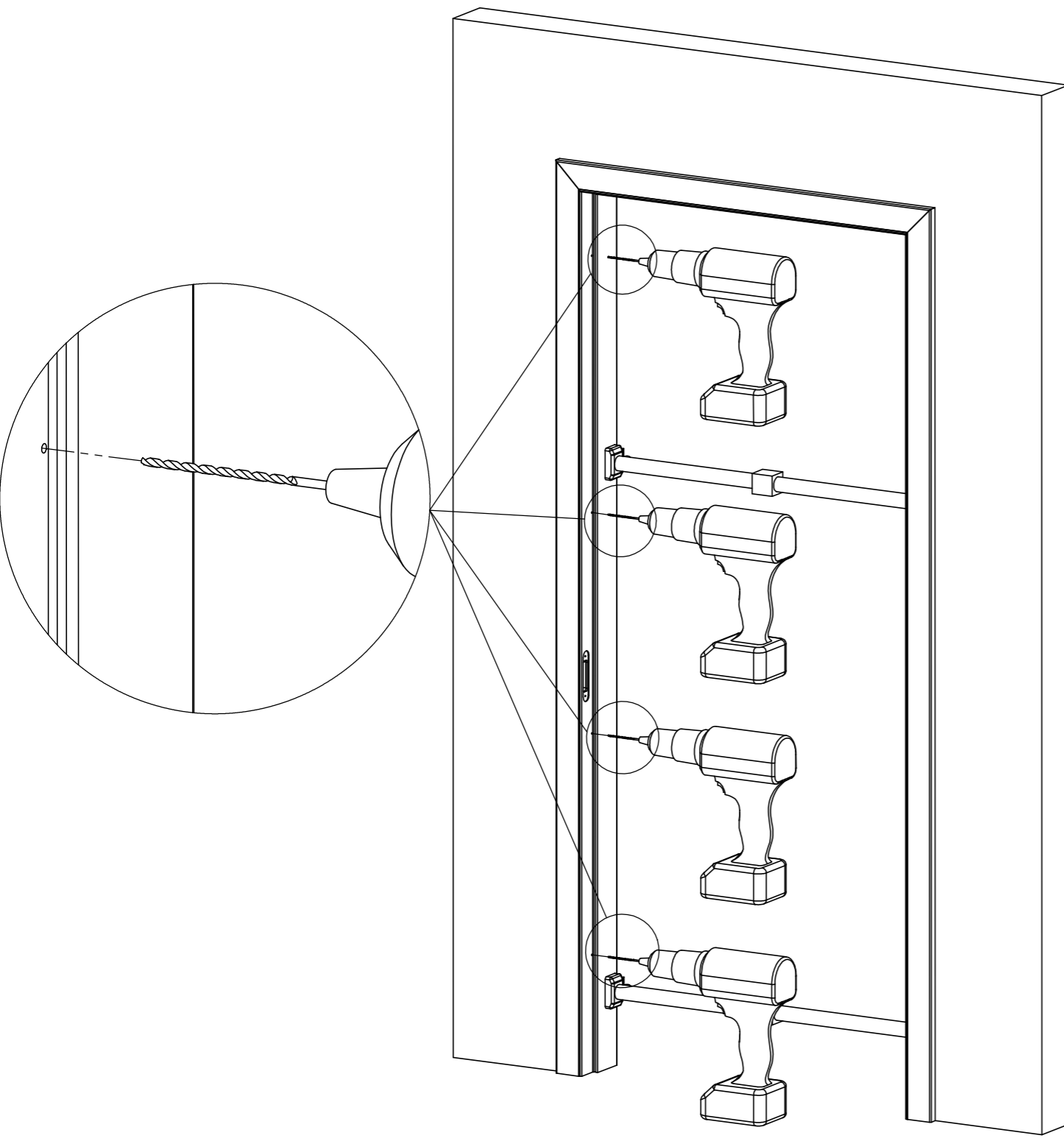
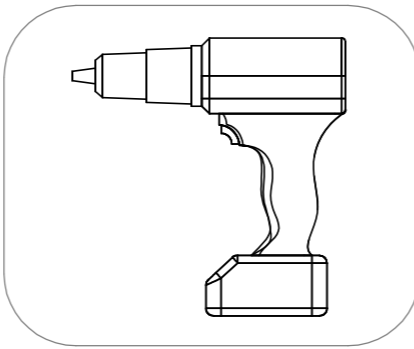
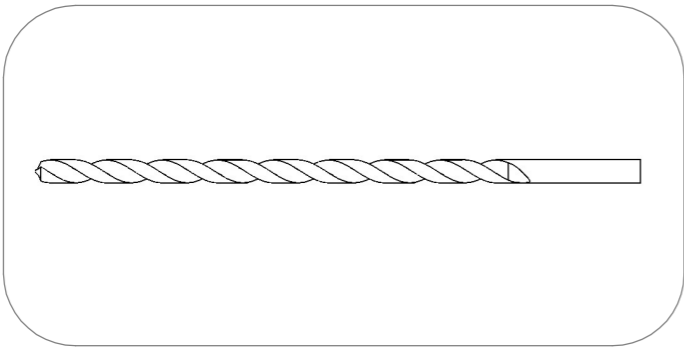
Step 11



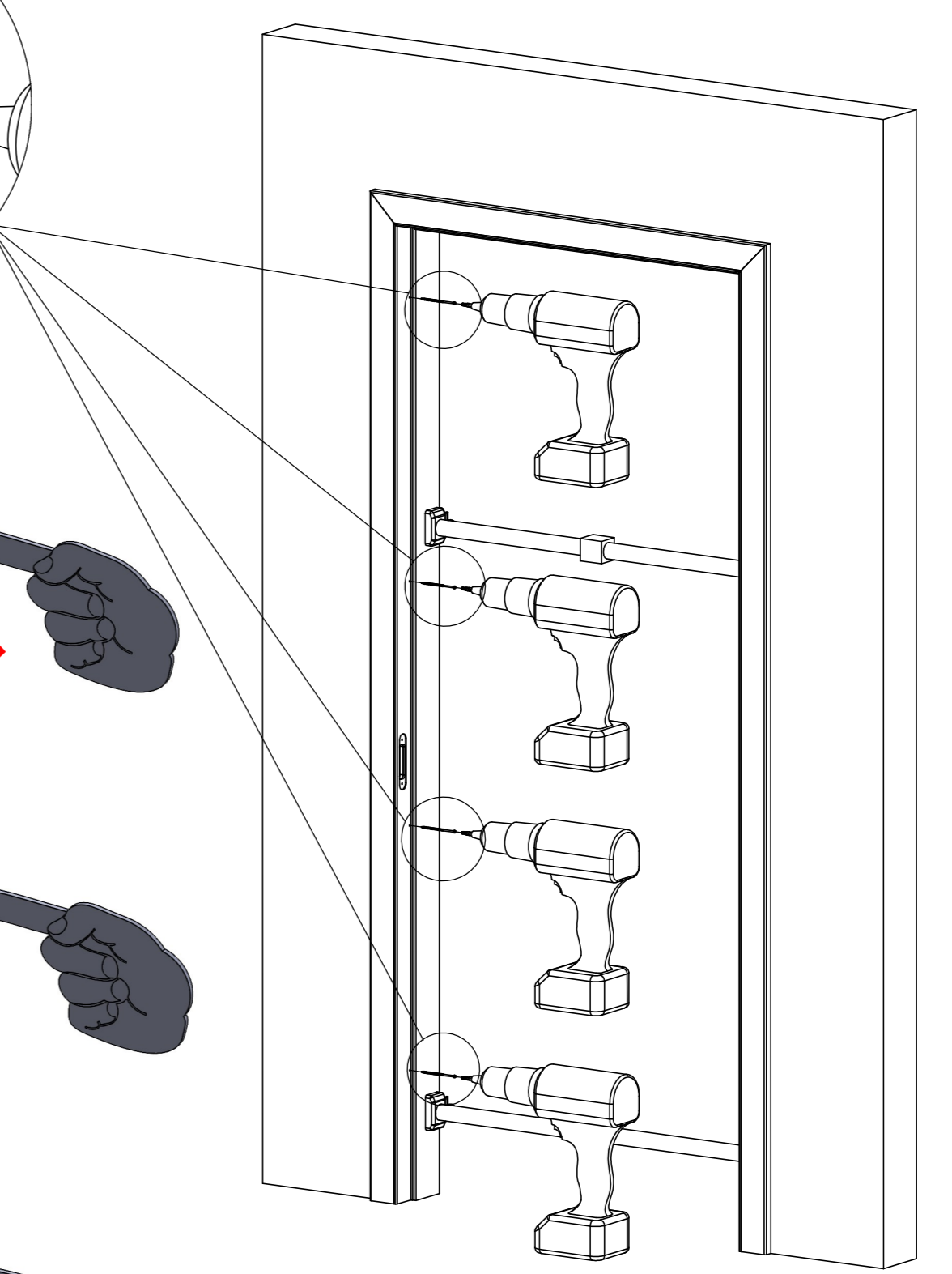
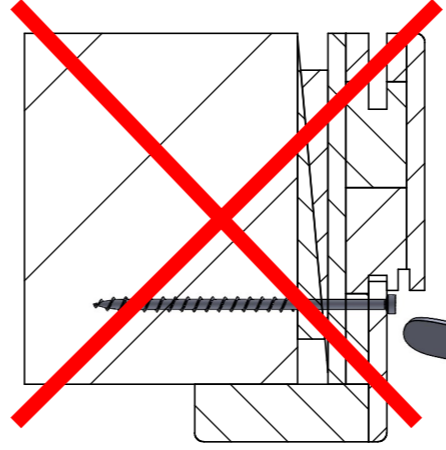
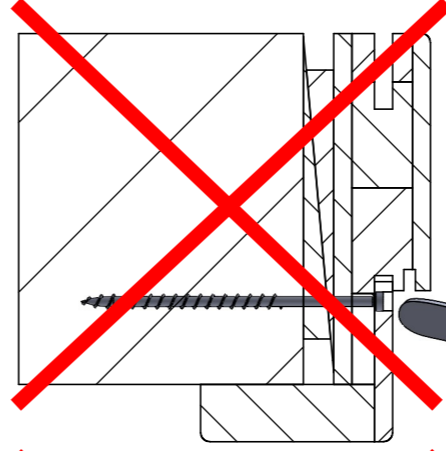
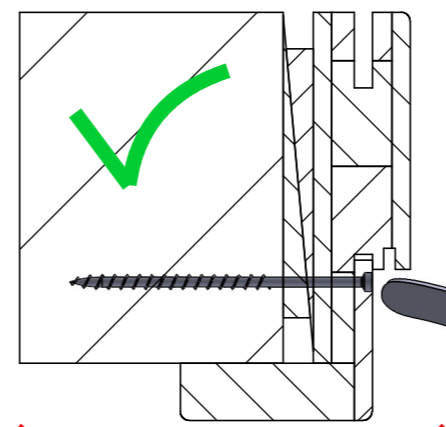
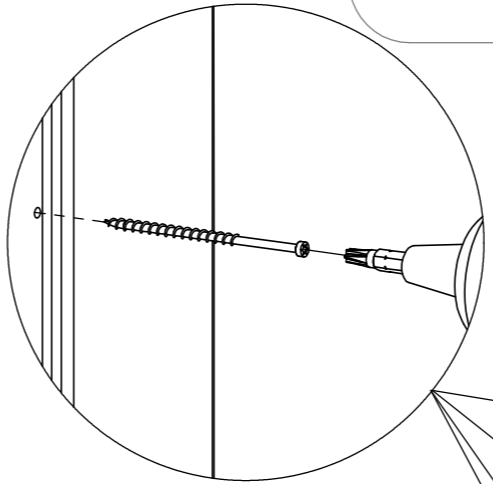
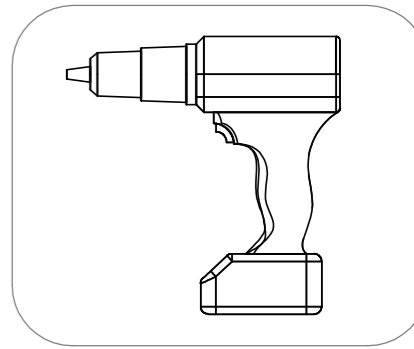
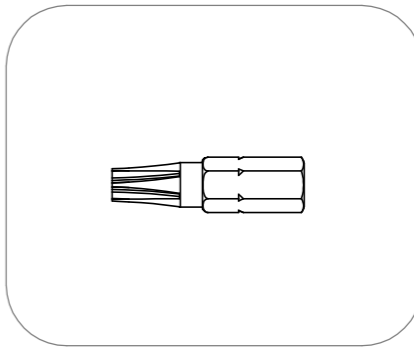
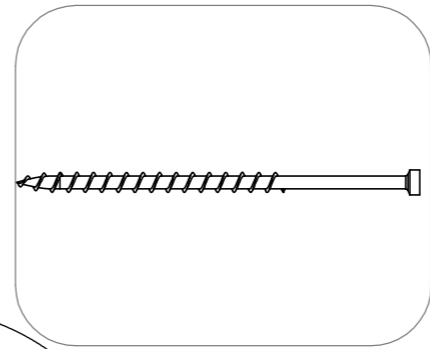
Step 12



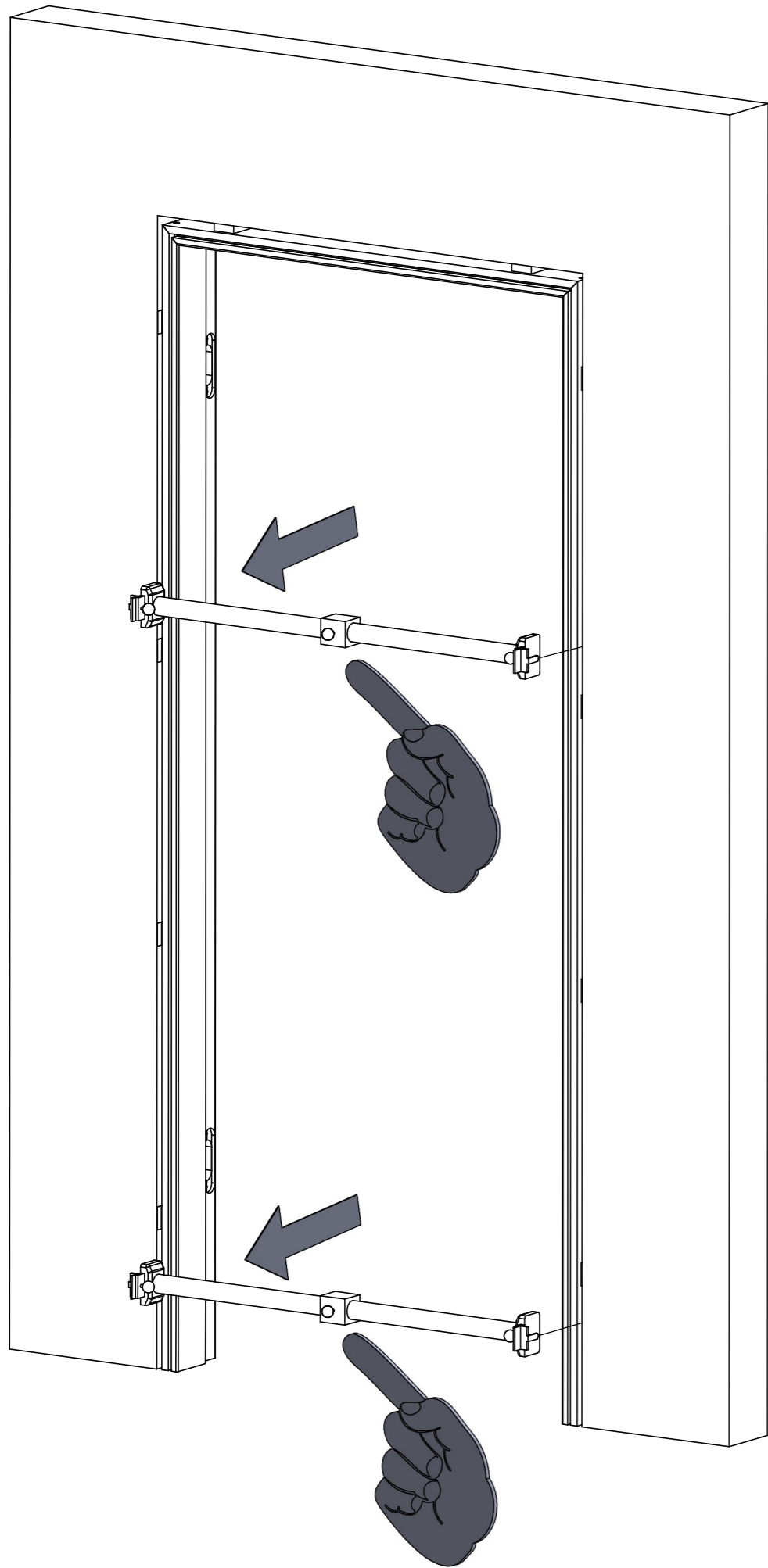
Step 13



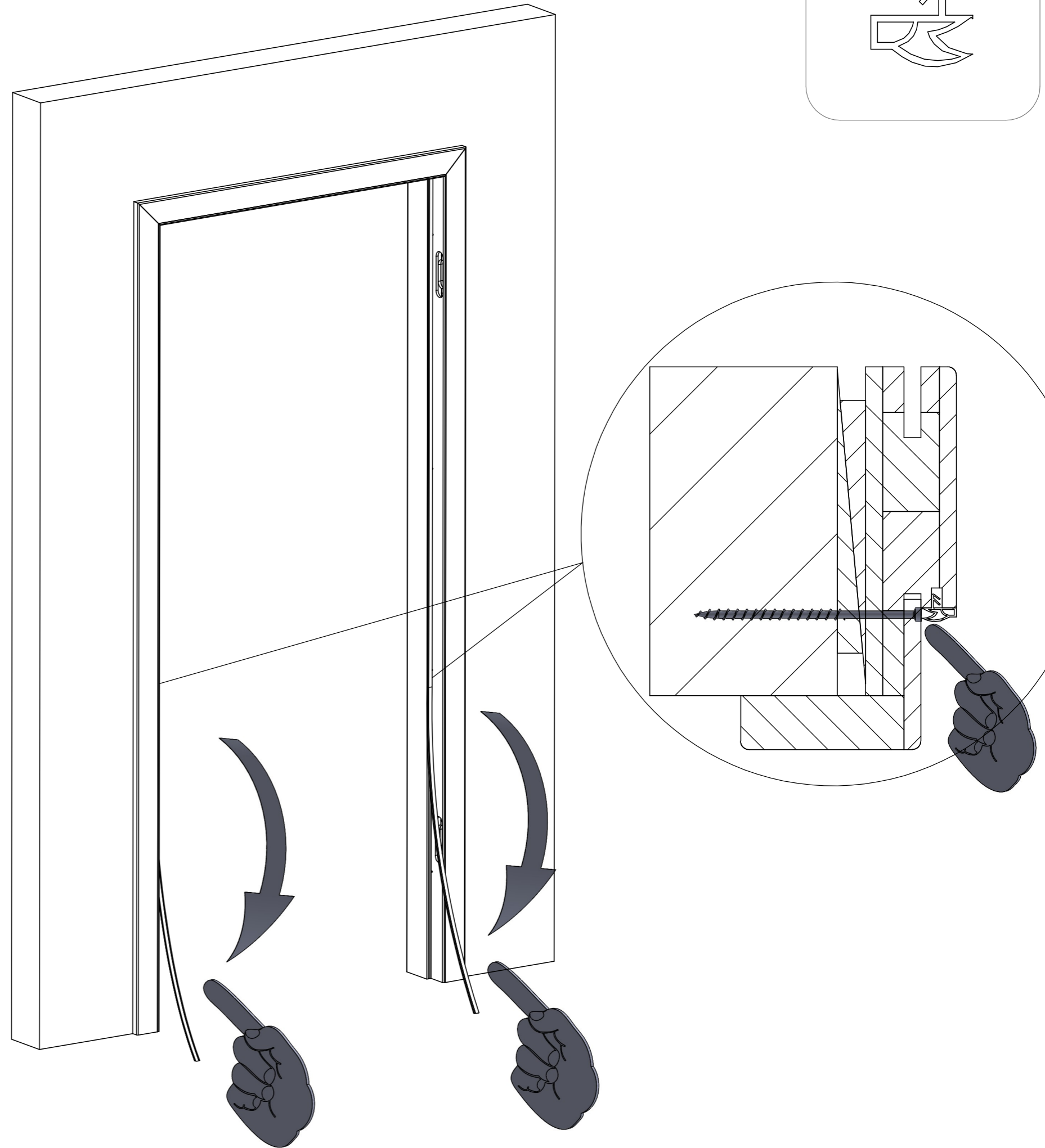
Step 14



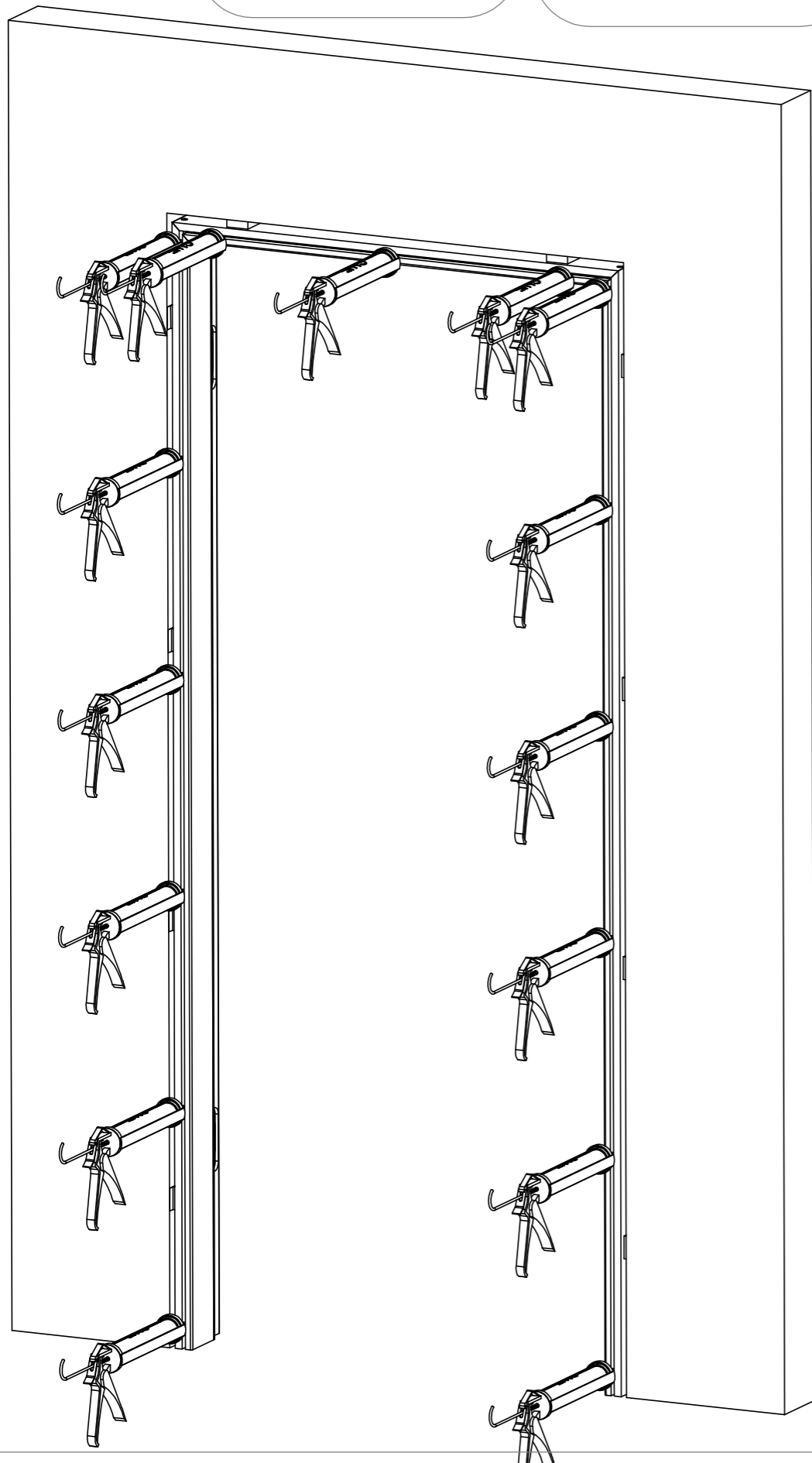
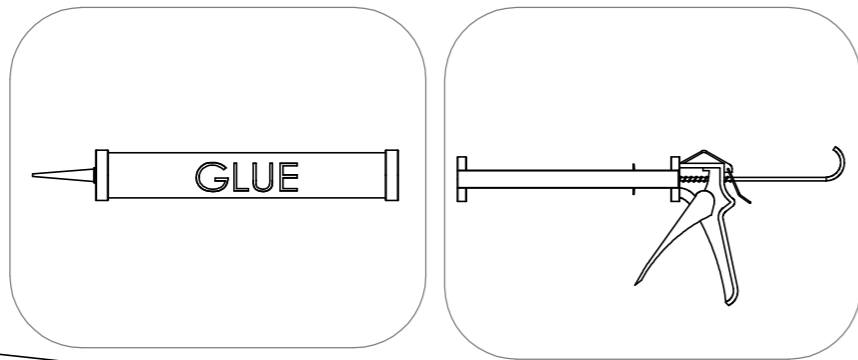
Step 15



Step 16

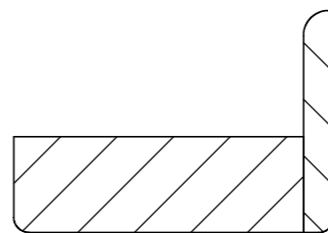
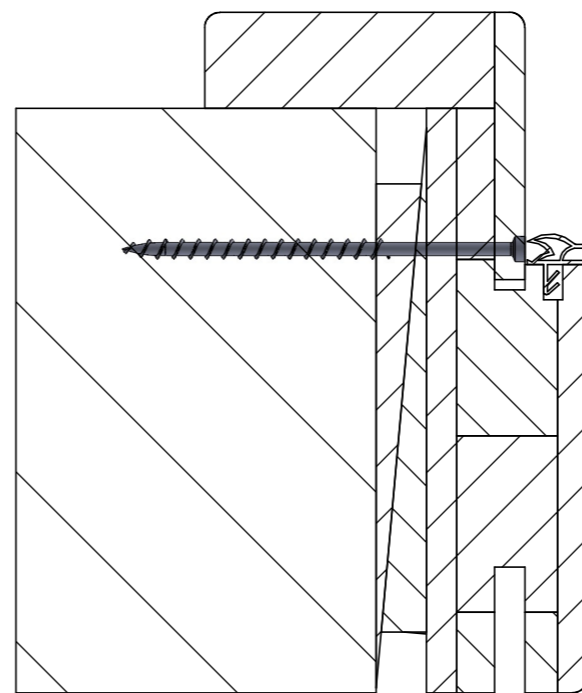


Step 17

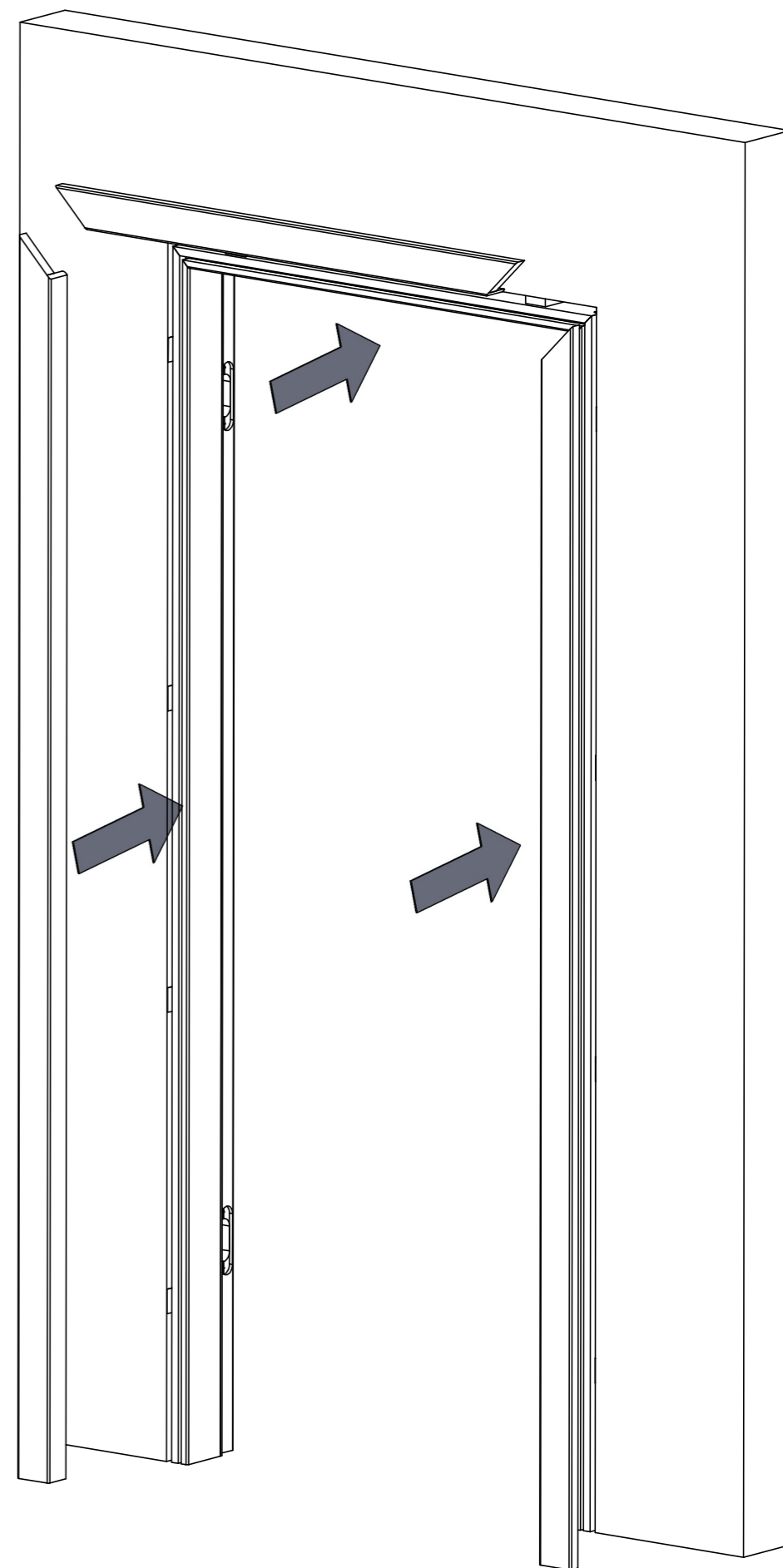
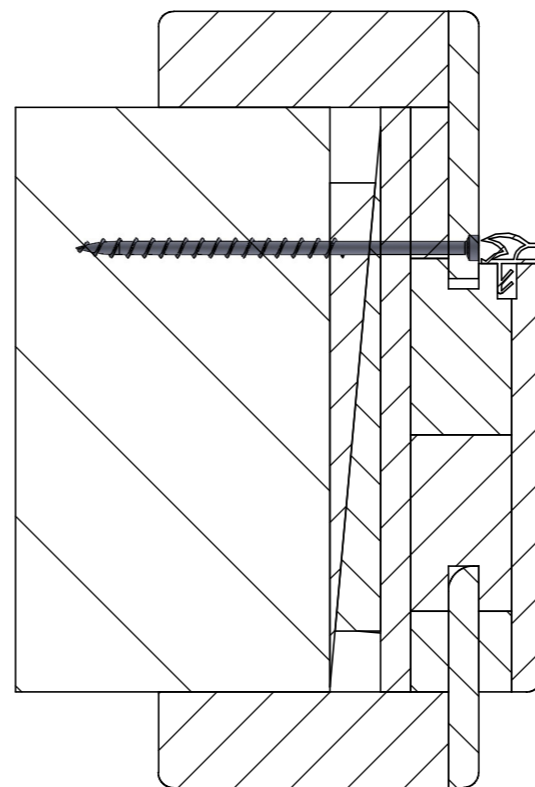


Step 18

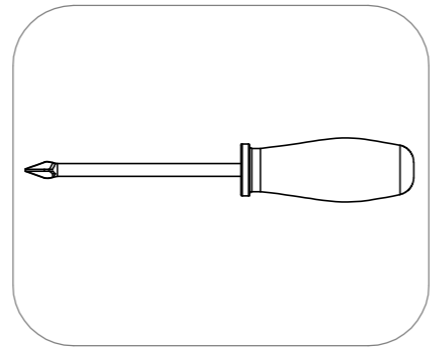
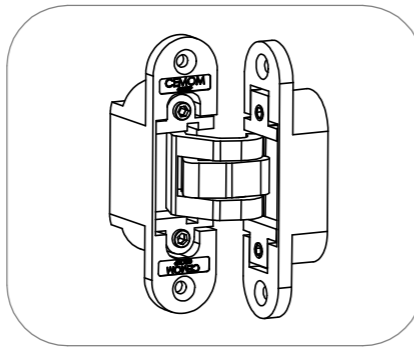
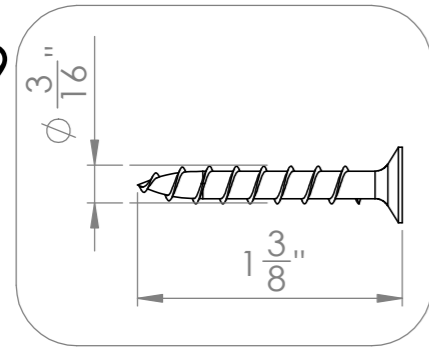
1.



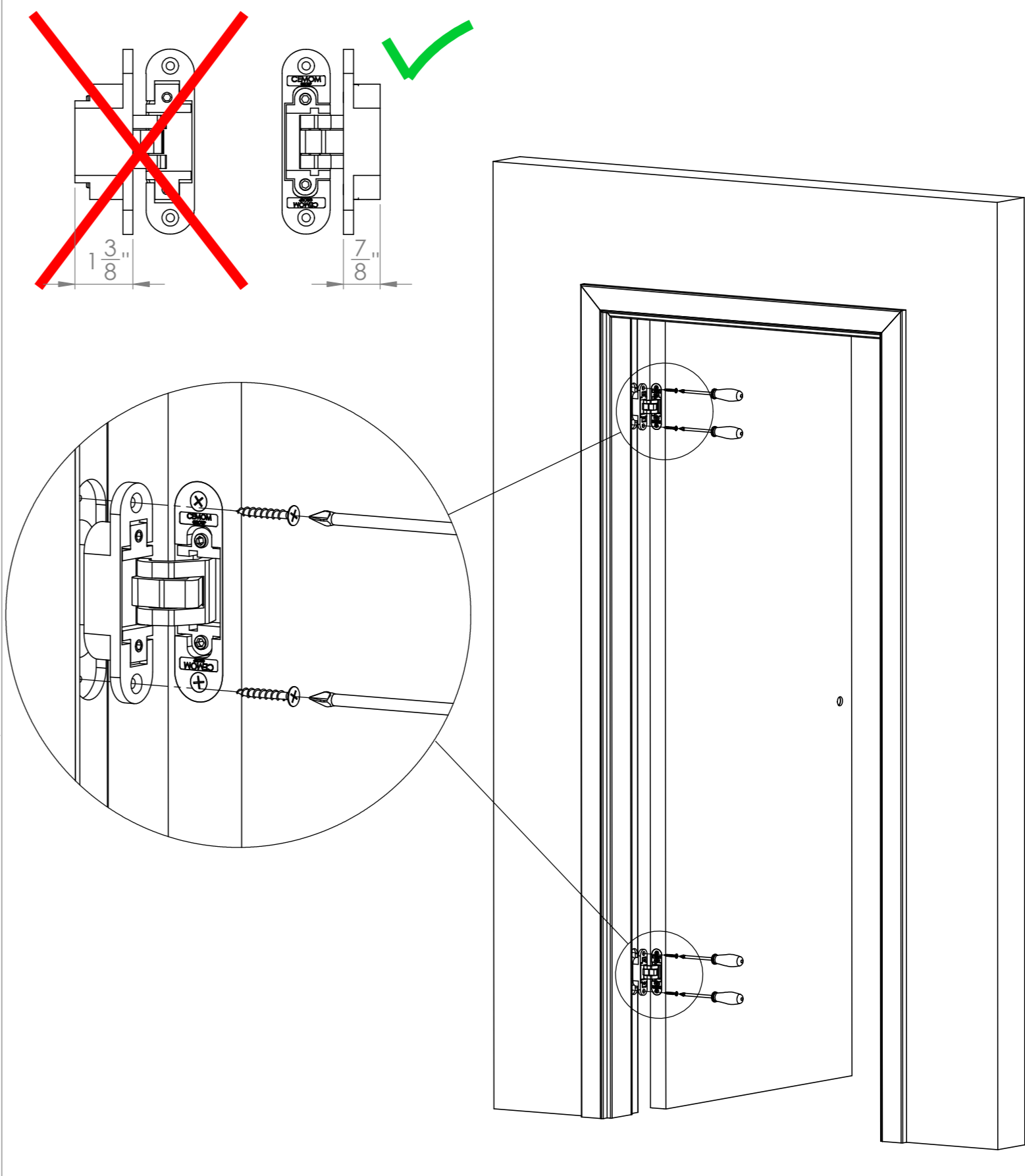
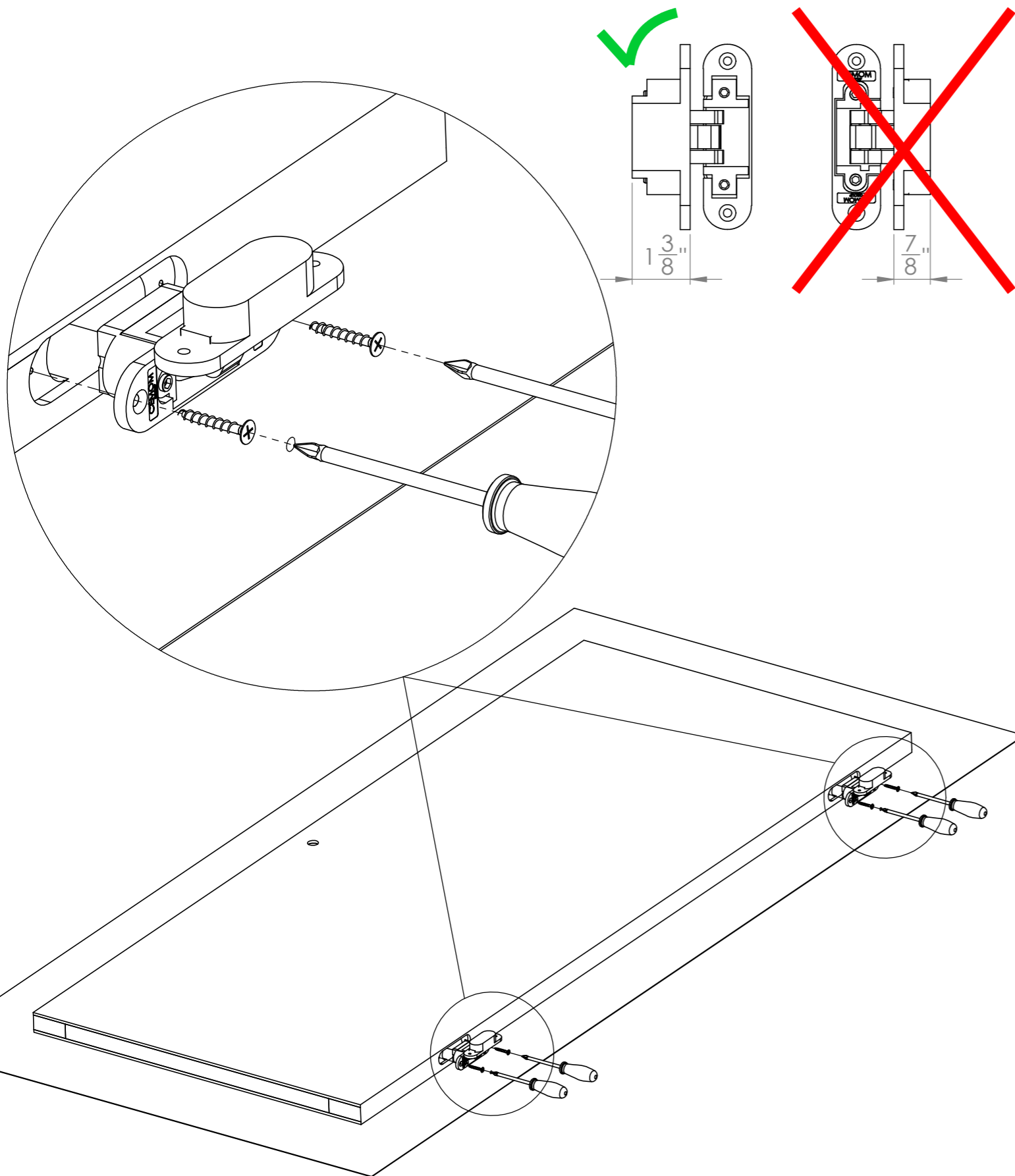
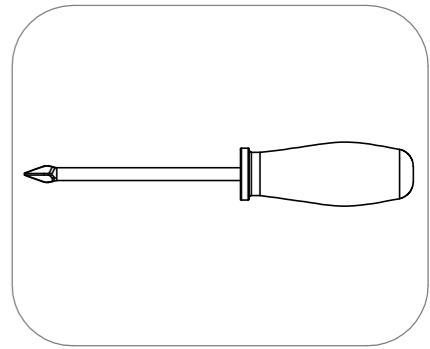
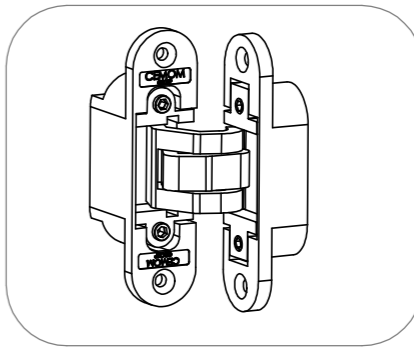
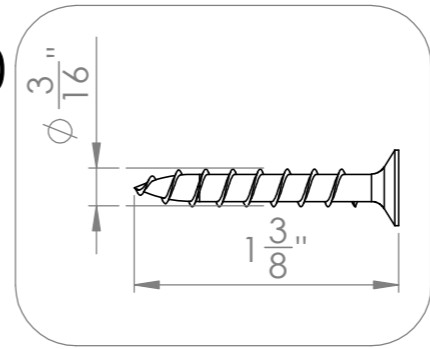
2.



Step 19

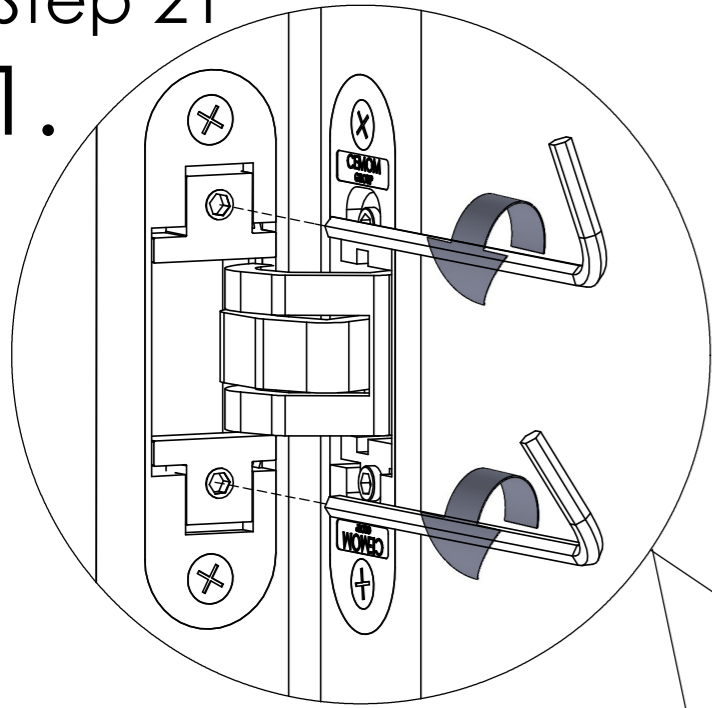


Step 20

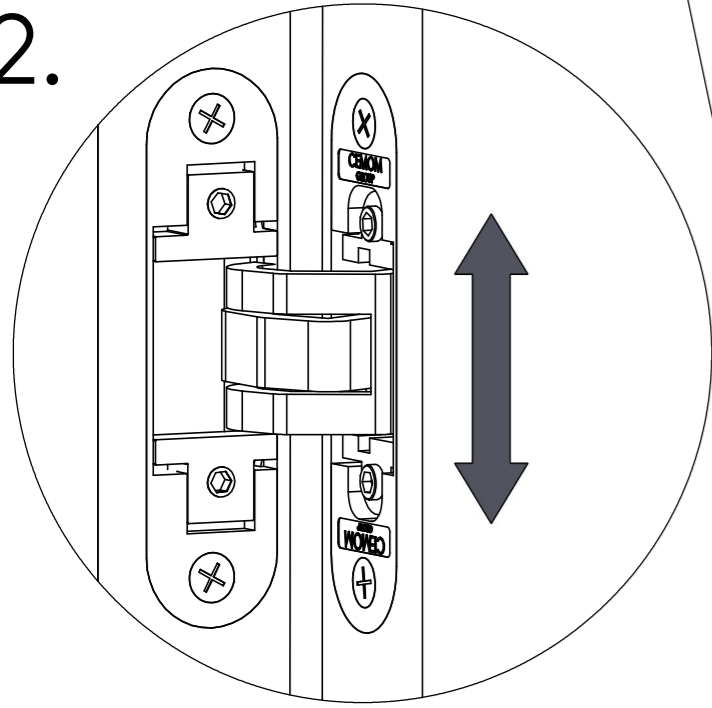


Step 21

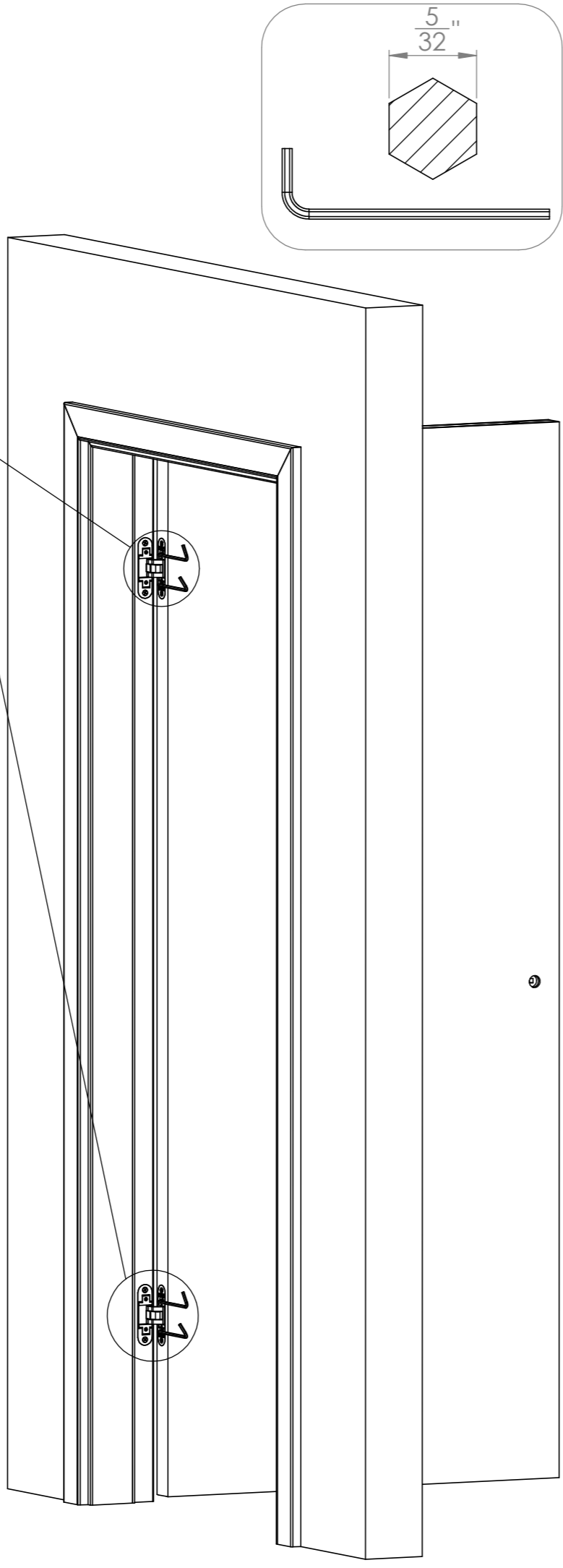
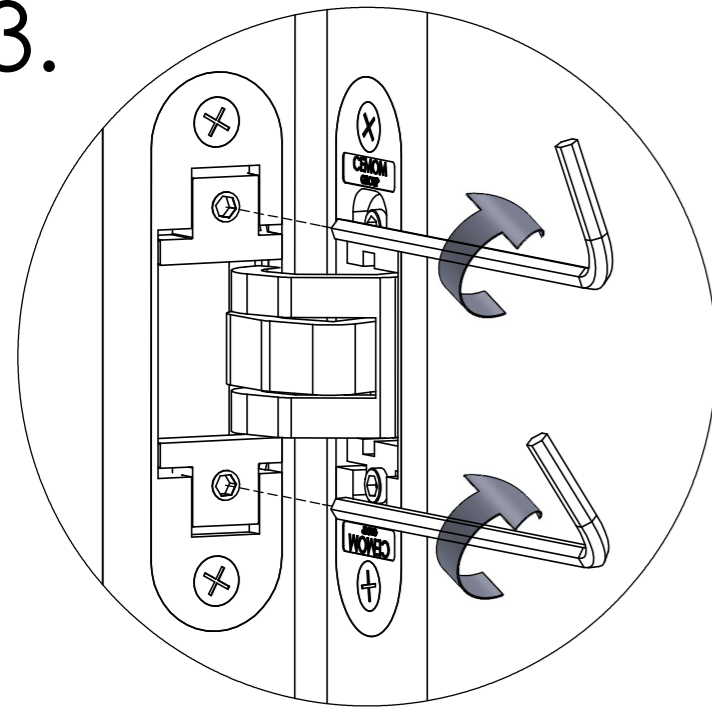
1.



2.

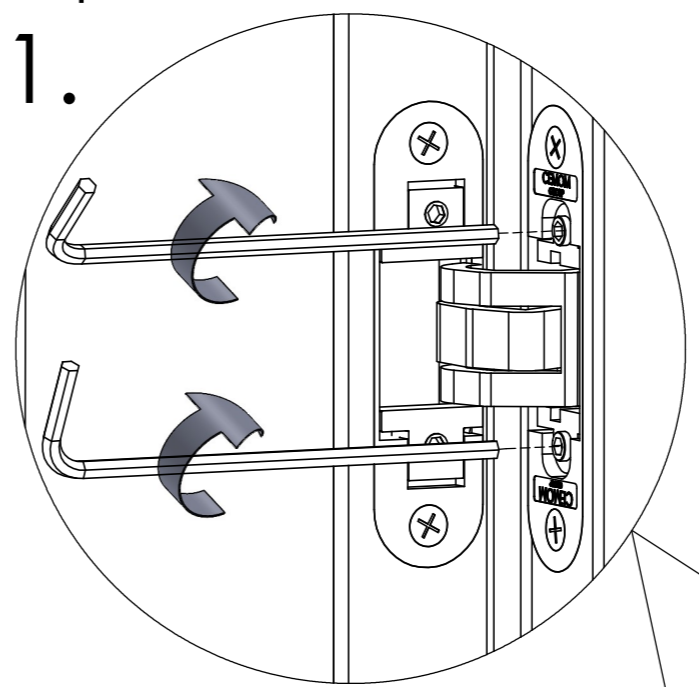


3.

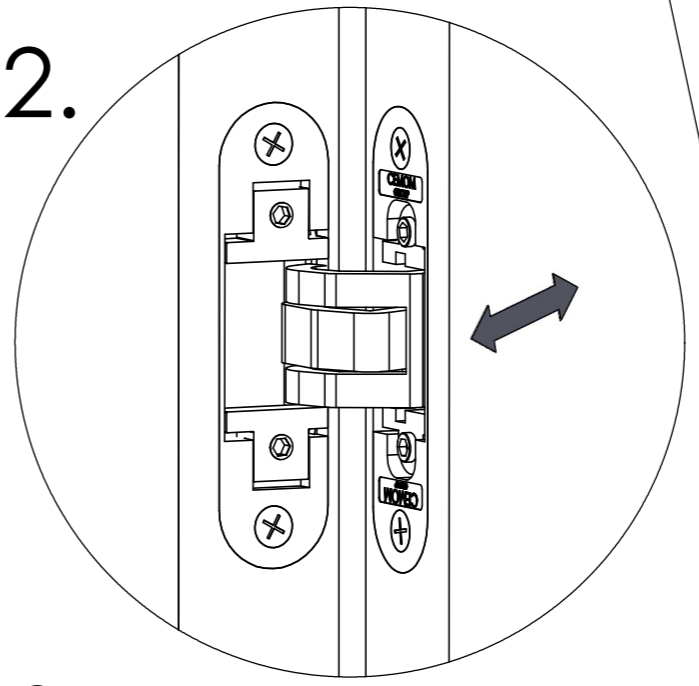


Step 22

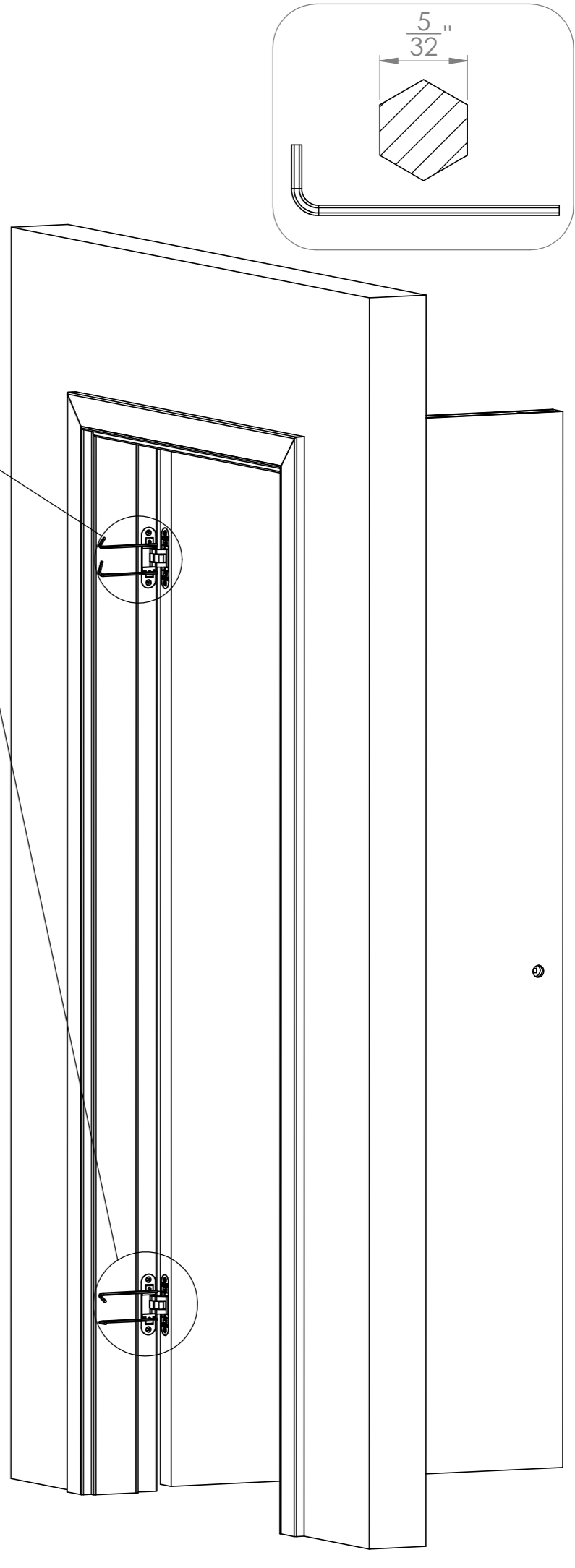
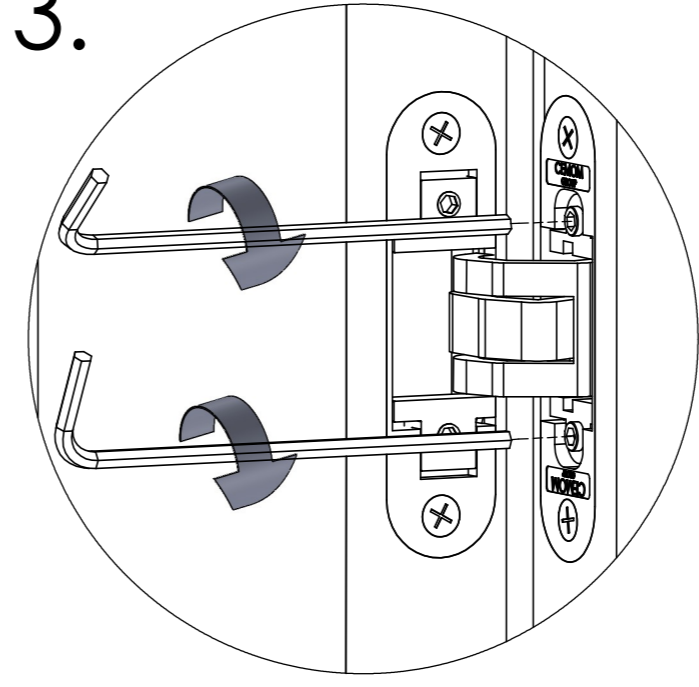
1.



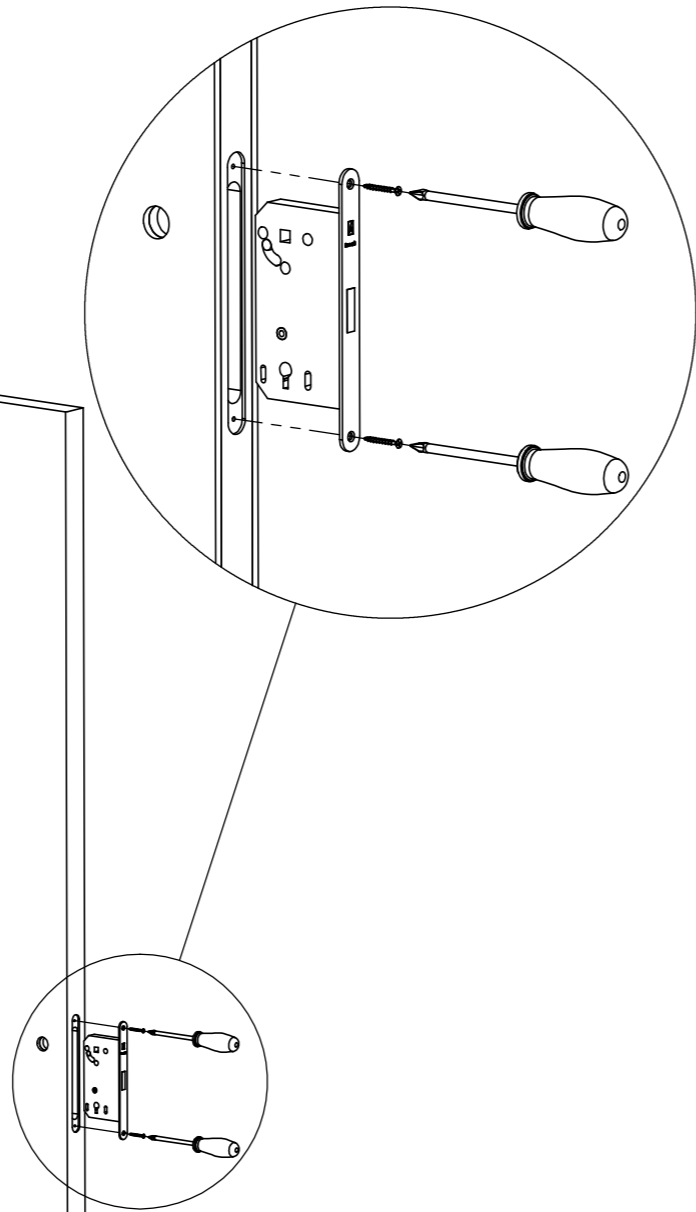
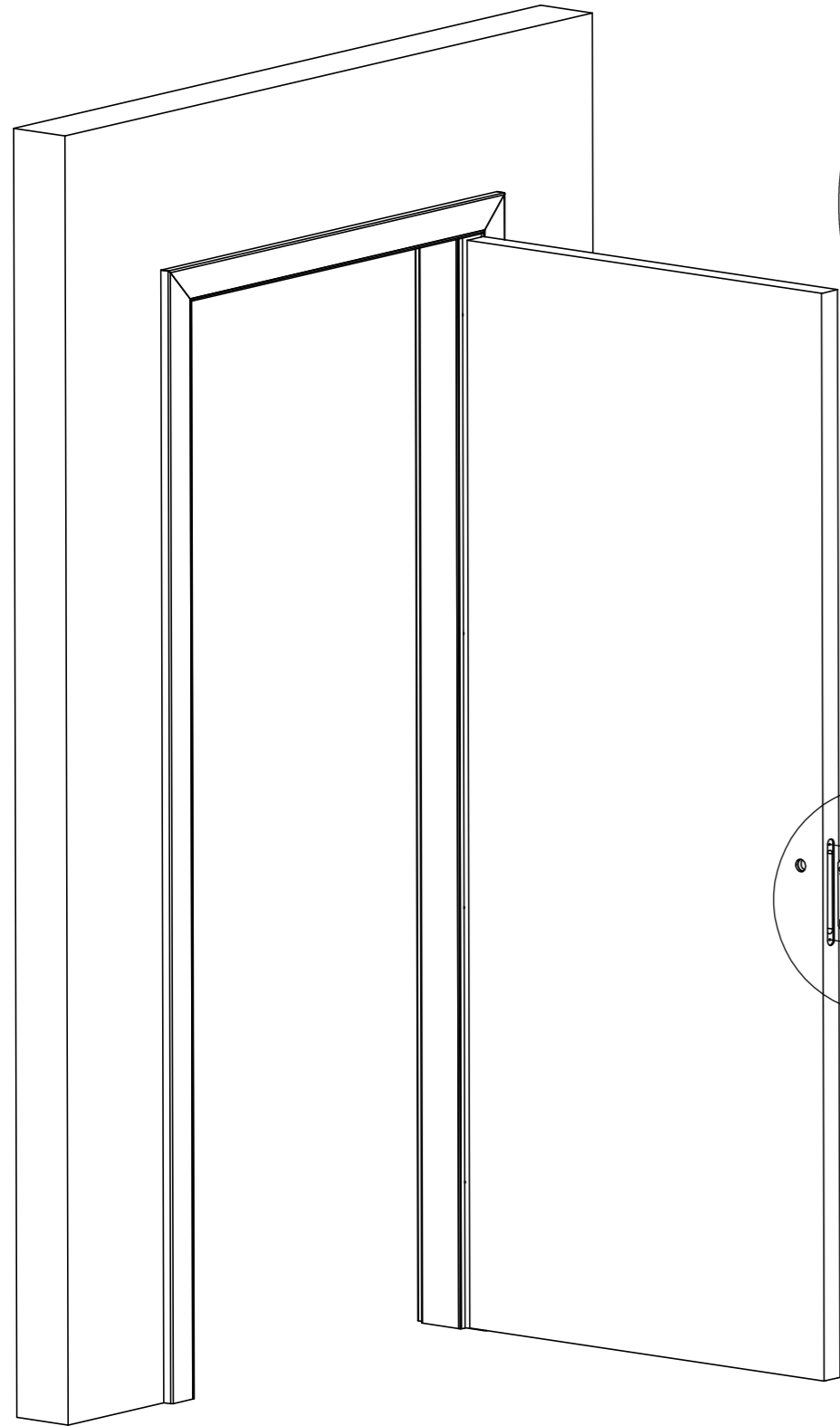
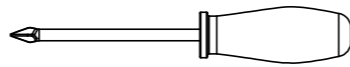
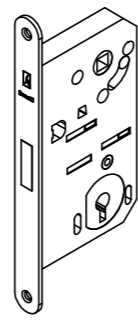
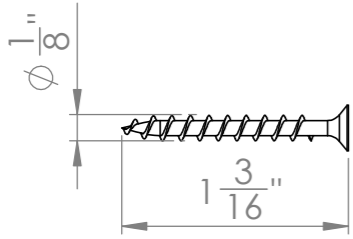
2.



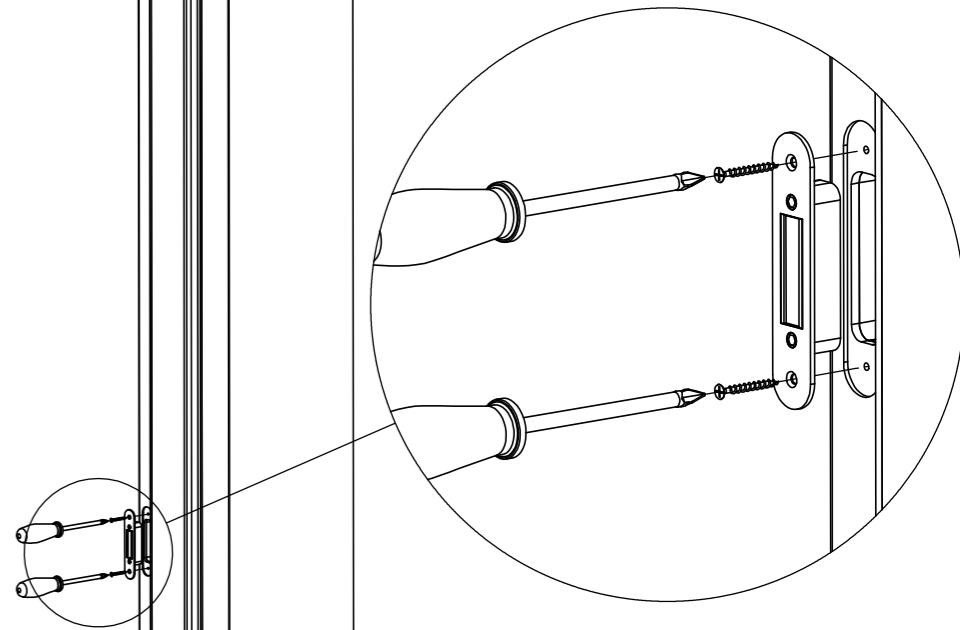
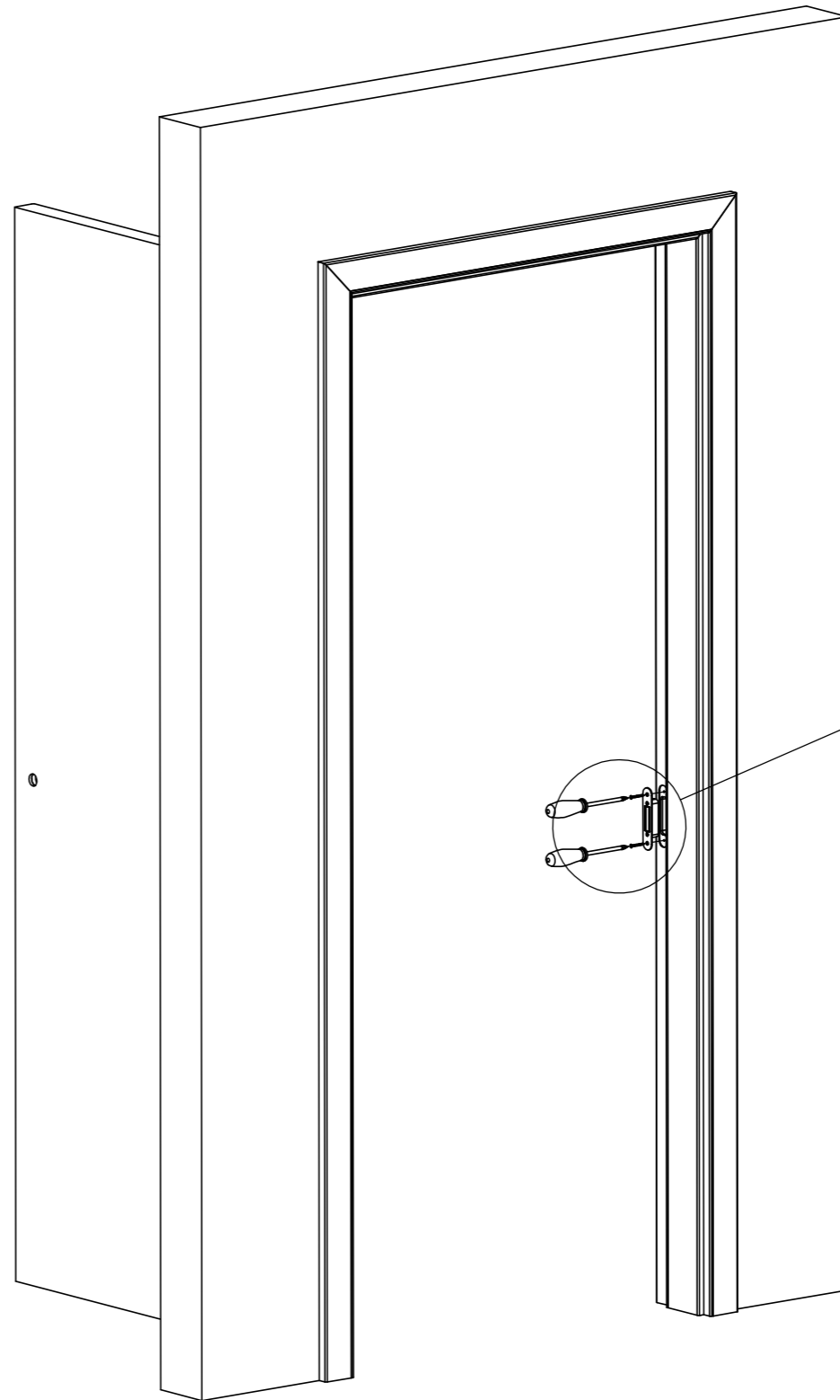
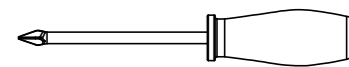
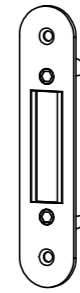
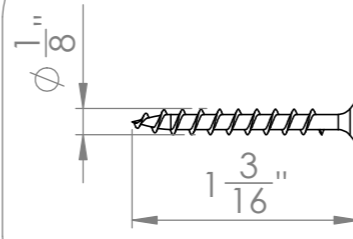
3.



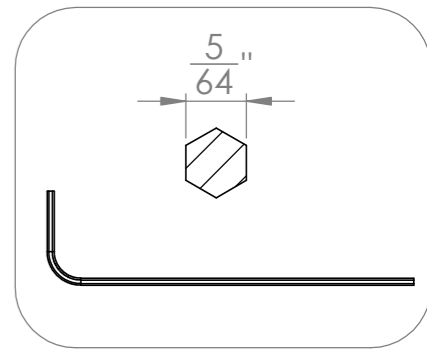
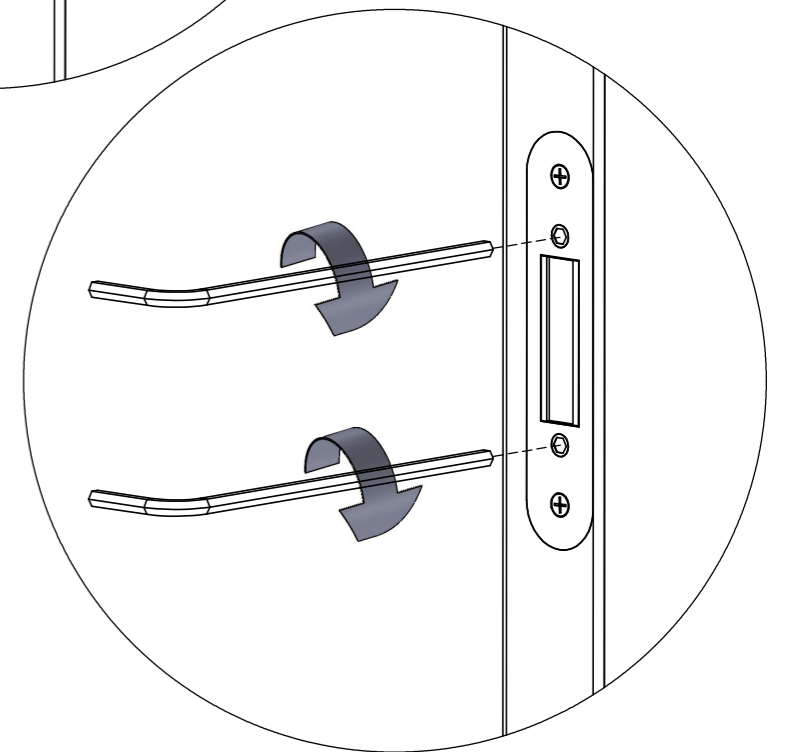
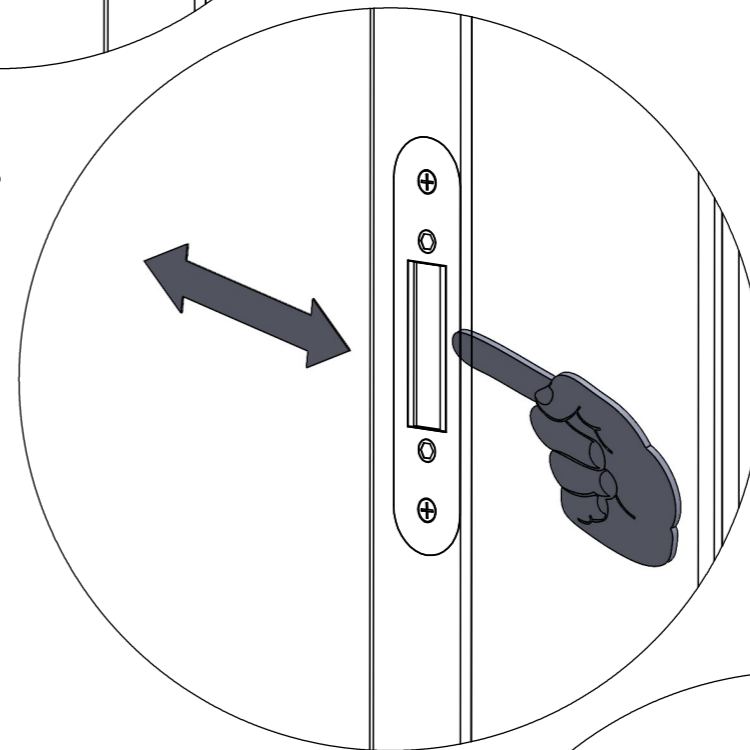
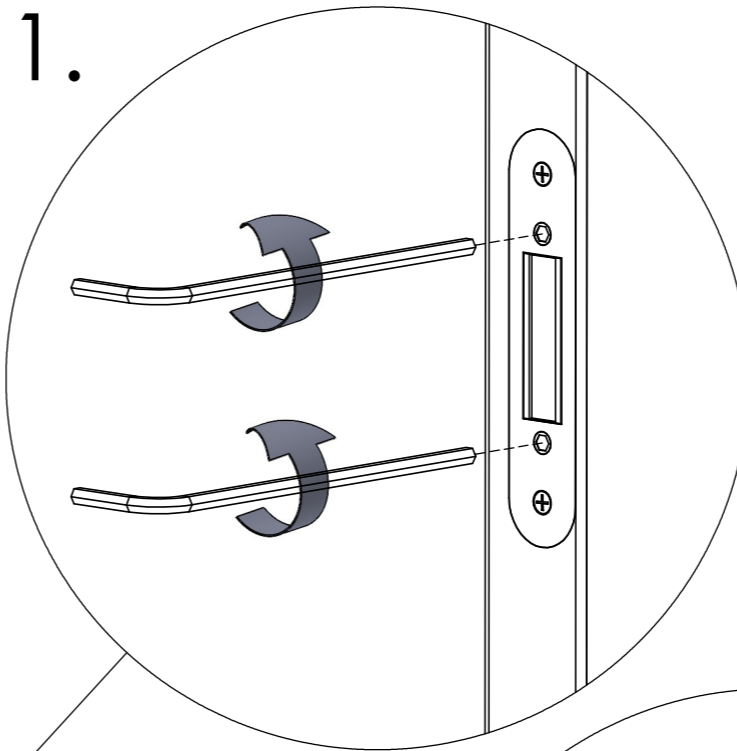
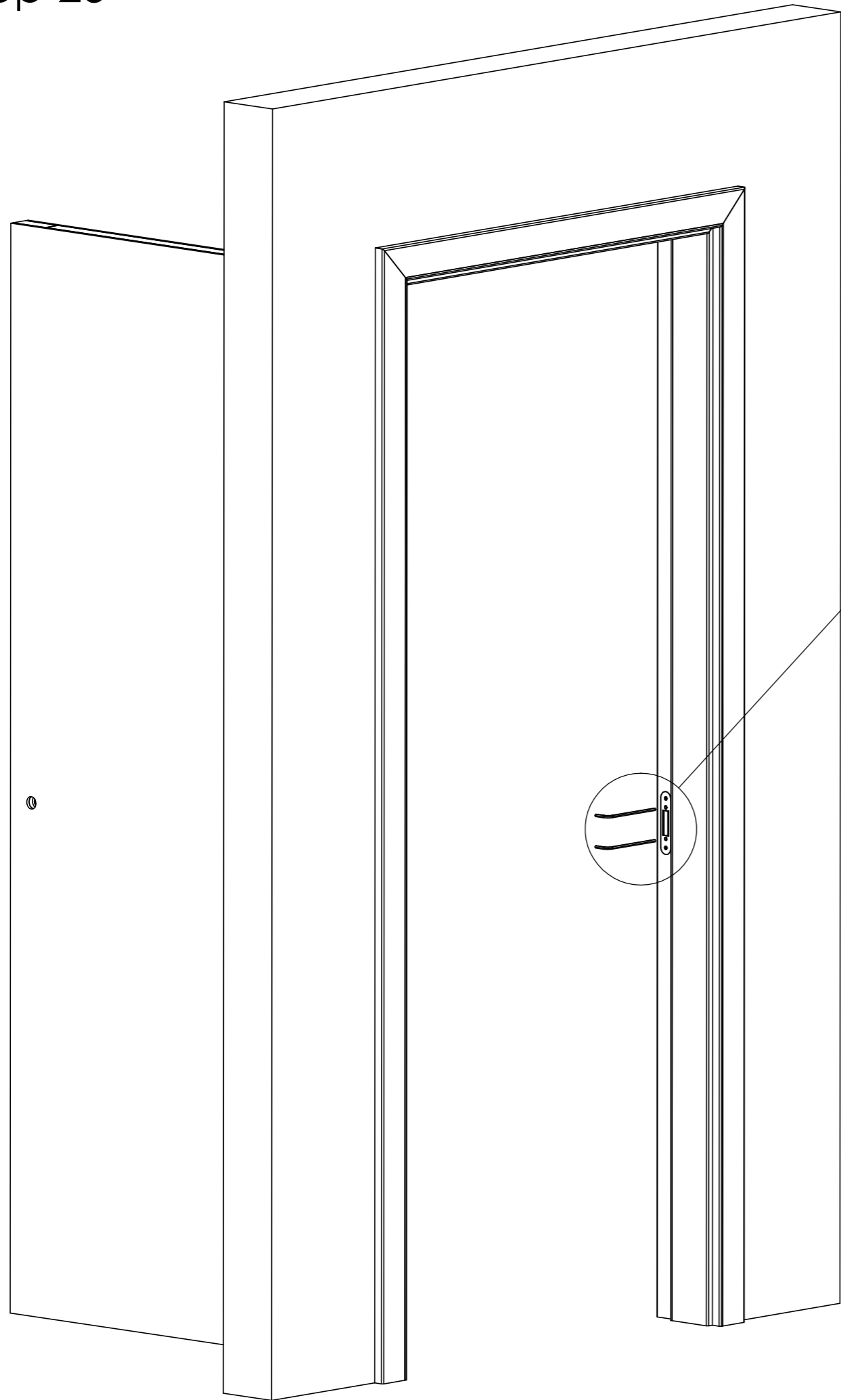
Step 23



Step 24



Step 25



Interior Door With Casing Jamb- Installation Guide

Tools and Materials Required

- Spirit level
- Measuring tape
- Impact driver
- Glue
- Glue squeezer
- Screwdriver
- Screwdriver bit
- Allen keys (5/64", 5/32")
- Torx T10 bit
- Shims
- Screws (3/16" x 1³/₈" and 3/16" x 3¹/₈")
- Jamb assembly kit (optional)

Installation Steps

Frame Assembly & Preparation: Steps 1-6

1. Prepare the Jamb

- Remove the pre-installed gasket from the frame.
- Assemble the jamb components: head, hinge side leg, and lock side leg by screwing the jamb pieces together in 4 different spots, per side.
- If using a jamb assembly kit, install to secure joints.
- Ensure all cuts and edges are clean and precise.

Frame Installation: Steps 7-16

2. Dry Fit the Frame

- Position the fully assembled jamb into the door opening.
- Use shims as needed to align vertically and horizontally.
- Confirm the frame is plumb, level and square using a level and tape measure.

Dimensions Check: Ensure DIM1 = DIM2 = DIM3 = DIM4 for perfect jamb alignment.

3. Screw Frame to Wall

- Use drill bit to drill pilot holes through the frame and shim pieces- at least 4 on the left and right sides. We recommend this to avoid splitting the material.

Note: It is also best practice to install the fasteners under the gasket, to hide them from sight.

- Use screws (3/16" x 3 1/8") to secure jamb through pre-drilled holes into framing.
- Confirm alignment after each screw is installed.
- Install all screws before proceeding.
- Remove jamb assembly kit if in use and re-install the gasket, covering the fasteners.

Casing Installation: Steps 17-18

4. Apply Adhesive for Casing

- Apply a high-quality construction adhesive or glue into the pre-machined channels on the jamb where the casing will be installed.
- Ensure an even bead of glue is applied to allow for a flush and secure fit.

5. Install the Casing

- Insert the casing pieces into the glued channels on the jamb.
- Press firmly and hold briefly to ensure good adhesion.
- Clean any excess glue and use tape or clamps if needed until the adhesive sets.

Note: We do not recommend affixing the casing using finishing nails or screws. This can damage the casing material and may not result in a clean, finished appearance.

Final Steps: Steps 19-25

6. Insert Hinges

- Install concealed hinges into the pre-machined cutouts of the slab.

7. Install Door Slab

- Hang the door by attaching the hinges to the concealed hinge side of the jamb.

8. Adjust Hinges

- Use the Allen key to fine-tune hinge positioning:
 1. Depth
 2. Vertical alignment
 3. Horizontal alignment

9. Install Lock

- Insert the magnetic lock into the door jamb and the door slab (if not pre-installed).
- Secure the lock using screws and appropriate Allen key size (5/64" or 5/32") depending on the lock type:
 1. Privacy
 2. Passage
 3. Cylinder/keyed

10. Secure Lock Strike Plate

- Align and secure the lock strike plate on the jamb leg.
- Ensure smooth latching and closing.

11. Final Check

- Open and close the door multiple times to ensure smooth operation.
- Verify all screws are tight and no components are loose.
- Clean any fingerprints or debris.

Notes

- **Always follow local building codes and regulations.**

For assistance, contact Glenview Doors customer support.

Email: service@bmdmfg.com

Phone: 800-334-4263