

WHERE LUXURY MEETS PRECISION

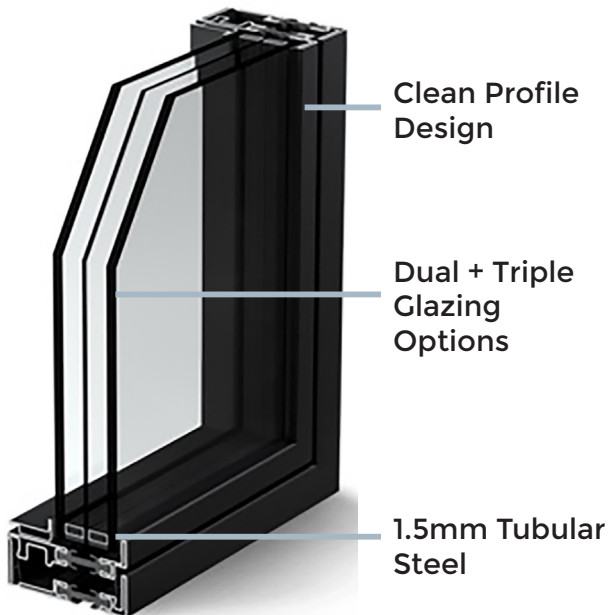


INICIO[™]
WINDOWS + DOORS

STEEL WINDOWS + DOORS



INICIO[™] WINDOWS + DOORS CURATES THE FINEST IN LUXURY FOR DISCERNING CUSTOMERS.



INICIO[™] Window + Doors is committed to superior craftsmanship and innovative design—providing an unmatched premium experience.

Our European design is not only visually stunning, but also offers unparalleled thermal insulation. Crafted with precision using 1.5mm tubular steel, our profiles boast a flawless, seamless aesthetic with no visible corner welds. INICIO Steel Windows + Doors enhances the aesthetic of your home and provides unmatched durability and performance for years to come.

Our polyamide insulating thermal-break core ensures maximum energy efficiency, while the profile design effortlessly accommodates virtually any passive and solar control insulating glass.

INICIO Steel Windows + Doors give you the freedom to personalize your thermal performance with a range of glazing packages.

Choose from dual and triple glazing options to create the perfect climate inside your space.

Discover the perfect blend of elegance + craftsmanship



Product Styles

Windows

- Fixed Windows
- Hopper Windows
- Casement Windows
- Awning Windows
- Pivot Windows
- Tilt-Turn Windows

Doors

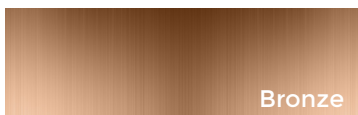
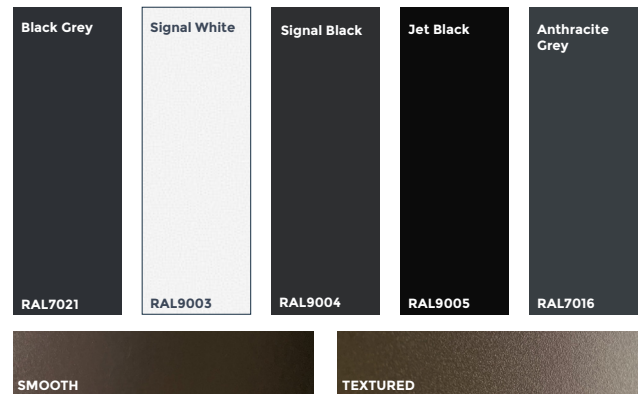
- Hinge Doors Inswing + Outswing
- Pivot Doors Inswing + Outswing
- Lift + Slide Doors
- Bi-Fold Doors

Material Types + Finishes

Crafted from premium bronze, galvanized, stainless, or corten steel, INICIO Steel Windows + Doors are designed to transform any space, adding a sophisticated touch of luxury and strength.

We offer 5 carefully curated feature colors as standard, providing a refined palette for elegant, customized designs.

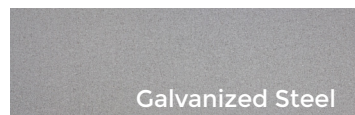
For those seeking even more variety, our extensive range of RAL finish colors opens up a world of possibilities, allowing homeowners and designers to tailor their projects to match any architectural style and personal vision.



Bronze



Corten Steel



Galvanized Steel



Stainless Steel



Technical Information

- + Primary product is galvanized steel; we also offer bronze, stainless, and corten steel
- + INICIO Windows + Doors use a cold-formed profile which is 20% stronger than other steel windows made from hot rolled steel and provides more exacting, clean line profiles.
- + The overall frame is 3" wide throughout window and door line, sliding door systems can have wider jambs.
- + INICIO Windows + Doors finish is powder coated with a zinc primer powder. Our powder coating meets a C-4 classification for steel corrosion resistance.
- + Standard glazing is 1" thick and can accommodate units up to 2" thick for triple pane glazing and high values insulating in colder climates.
- + Very slender flush or overlapping sightlines with an assortment of glazing bead profiles for design variety.
- + Many of our exclusive profiles were reproduced from historical steel fenestration design, but with more technology and far greater performance, both in energy and ability to seal out the elements.
- + INICIO Windows + Doors can be built with true divided lites, a better performing aesthetic, as well as simulated divided lites.

WARRANTY

INICIO Window + Door Steel products come with a 10-year limited warranty. This warranty provides confidence and security, ensuring that you have a durable product supported by a reputable and service-oriented company.



INICIOwindows.com

1.800.334.4263

225 Elm Ave. Galt, CA 95632

