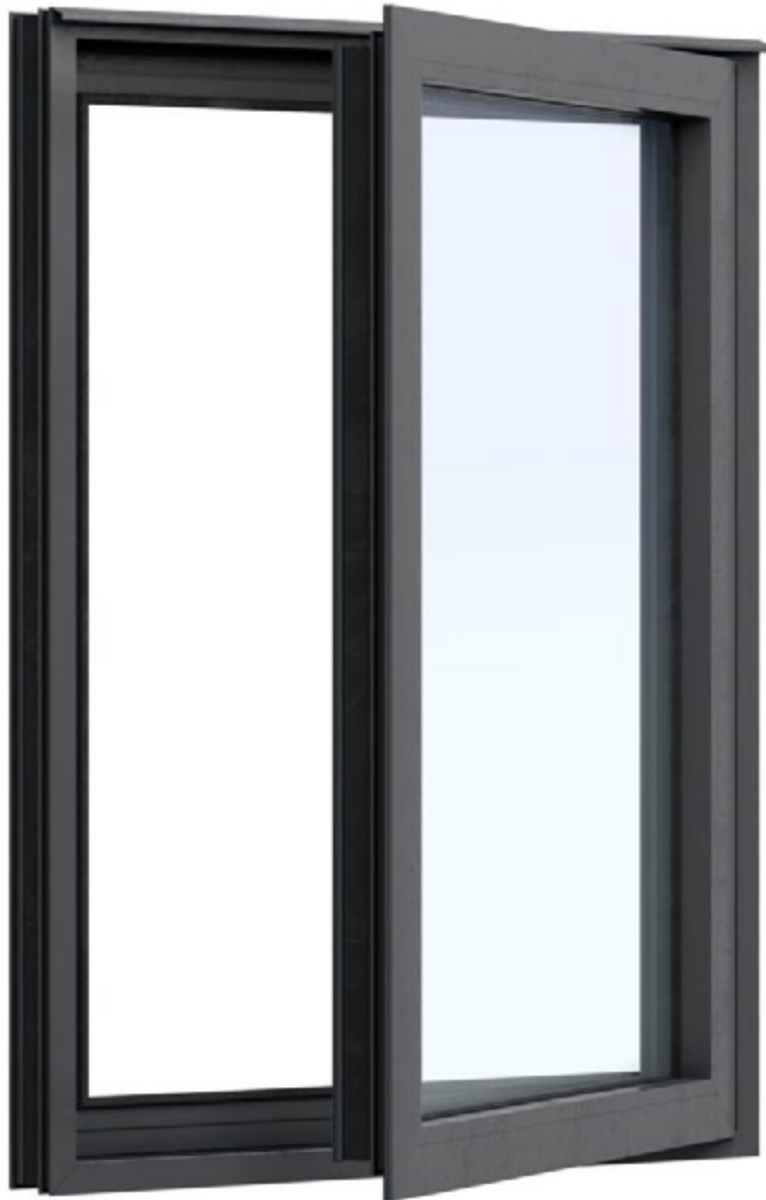


Installation Instructions

INICIO Window Casement and Awning



April 2025
Version 1.10



TABLE OF CONTENTS

1. PREFACE	
1.1 Intended installer	2
1.2 Explanation of safety warning	2
1.2 Installer responsible for following instructions	2
2. STATEMENT OF LIMITATIONS	4
3. SAFETY INSTRUCTIONS	5
4. PREPARING FOR THE INSTALLATION	6
4.1 Staging	6
4.2 Unpack the packaging	7
4.3 Checking the contents	7
4.4 Gather tools and supplies	8
5. PREPARING THE ROUGH OPENING	9
5.1 Preparing the home wrap	9
5.2 Applying butyl flashing to the rough opening	10
6. INSTALLATION INTO WOOD STRUCTURE USING NAIL FINs	14
6.1 Preparing the window frame and nail fins	14
6.2 Applying sealant to the window frame	16
6.3 Installing the nail fins	17
6.4 Attaching the INICIO window to the rough opening	19
6.5 Sealing the miters with silicone sealant	25
6.6 Sealing the exterior side of the window	26
7. INSTALLATION INTO BLOCK FRAME WITHOUT USING NAIL FINs	28
7.1 Further preparing the rough opening	28
7.2 Attaching the INICIO window to the rough opening	30
7.3 Seal the exterior side of the window	36
8. SEALING THE INTERIOR SIDE OF THE WINDOW	38
9. FINAL DETAILS BEFORE DRYWALL	40
Direct to website for care and use and warranty registration information	40

1. PREFACE

1.1 Intended installer

This document is intended for professional window installers and building contractors who are responsible for the installation of window frames in buildings. The intended installers need to have a high level of skill and experience in construction and window installation, as well as a thorough understanding of local building codes and safety regulations related to window installation. It is recommended that installers of this product have received formal training or certification in window installation to make sure that the product is installed correctly and safely. The manufacturer recommends Installation Masters, a widely recognized training program. Visit FGIA.org/pages/installationmasters for more information.

Furthermore, it is important that the installation process is carried out by individuals or teams who are properly equipped with the correct tools and safety equipment.

Installers who install the product must adhere to all applicable building codes and safety standards including ASTM E - 2112- 23.

The manufacturer will not be responsible for installers without the necessary skills, training, certification, or expertise, as incorrect installation could result in product failure, building damage, or personal injury and void of any implied warranty.

1.2 Explanation of safety warnings



"DANGER" — Indicates a hazard with a high level of risk which, if not avoided, will result in death or serious injury.



"WARNING" — Indicates a hazard with a medium level of risk which, if not avoided, could result in death or serious injury.



"CAUTION" — Indicates a hazard with a low level of risk which, if not avoided, could result in minor or moderate injury.



"NOTICE" — Indicates information considered important, but not hazard - related.

1.2 Installer responsible for following instructions

The manufacturer is not liable for cases of material damage or personal injury caused by incorrect handling or non-compliance with the safety instructions. In such cases, the warranty will be voided.

Make sure that each person who installs this product has read and understood this manual and its safety instructions before installing this product. Failure to do so can result in serious injury or death.

Follow all the instructions helps avoid damage to property and/or severe or fatal injuries.

Keep all safety information and instructions for future reference and pass them on to subsequent users of the product.

The latest version of the documentation is available at the following address: iniciowindows.com

For information contact:

INICIO Windows + Doors
BMD - Manufacturing
104 Industrial Court
Galt, CA. 95632
(800) 334-4263

2. STATEMENT OF LIMITATIONS

NOTICE

This document is intended for professional window installers, with guidelines structured around the ASTM E - 2112- 23 standard for the installation of windows in a typical one - or two- story wood frame residential structure.

Installation in other types of structures or regional differences in building methods could require alternate methods of installation.

It shall be the responsibility of the Installer/Contractor to make certain that all requirements for weather seal and structural attachment for the specific location and type of structure are met.

Attachment methods and fasteners included herein are appropriate to a typical one or two story residential structure. Attachment to structures over 2 stories, in high wind areas, or in commercial structures could require more substantial anchorage. The related engineering and application shall be the responsibility of the Installer/Contractor.

Your building practices could differ from what is explained in this document.

3. SAFETY INSTRUCTIONS



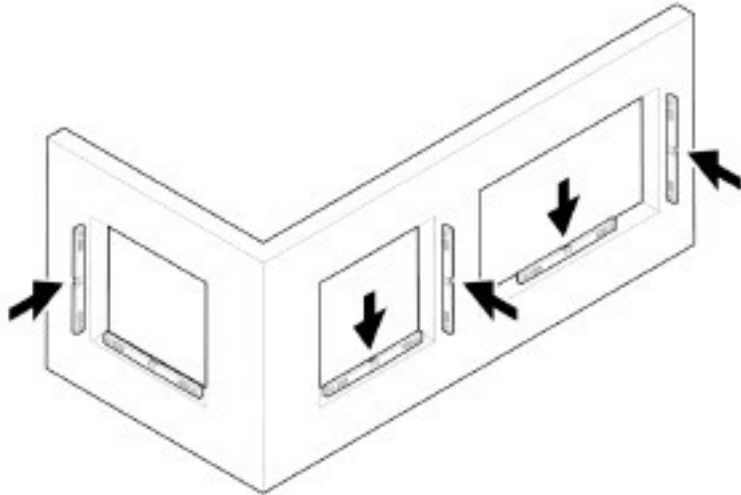
Read and understand this manual and its safety instructions before using this product. Failure to do so can result in serious injury or death.

- Adhere to all local building codes and safety regulations during the installation process.
- Attach the product exclusively to wooden framing. For installations involving other materials, always consult a qualified structural engineer to ensure safety and compliance.
- Make sure all personnel involved in the installation have received the correct training and understand these safety instructions.
- Keep the work area clean and free of debris to prevent tripping hazards. Dispose of waste materials correctly.
- **RISK OF INJURY!** Always wear appropriate Personal Protective Equipment (PPE), including safety goggles, gloves, construction harnesses, and hard hats, to protect against injuries from glass, debris, and construction materials.
- **RISK OF INJURY!** Use the correct lifting techniques to avoid back injuries. Lift with your legs, not your back, and use lifting equipment or assistance for heavy window units or high installation locations.
- Use all tools according to the manufacturer's instructions. Inspect tools before use and make sure they are in good condition. Keep tools safely stored when not in use to prevent accidents.
- **RISK OF INJURY!** Make sure ladders and scaffolds are stable and secure before use. Follow all safety guidelines for working at heights over three feet, including using fall protection equipment when necessary.
- **RISK OF INJURY!** Handle the window frames and nail fins carefully to prevent cuts. When installing the window frame, use suction cups and protective gloves to reduce the risk of injury.
- Do not install windows in adverse weather conditions. High winds, rain, or lightning can increase the risk of accidents or injuries.
- Make sure the work area is well - ventilated, especially when using sealants or adhesives that may emit harmful fumes.
- Make sure all lifting equipment, including suction cups, cranes, hoists, et cetera, are rated for the load that is lifted and are operated by trained and / or certified personnel, as applicable.
- **RISK OF ENTRAPMENT OR PINCHING!** Be aware of pinch points and make sure fingers and appendages are not entrapped during installation.
- Always fence off the work area for unauthorized persons prior to installation.
- Make sure to maintain public safety, depending on the situation, for example by securing the area with fences, barrier tape, or traffic cones, if working near a public road or other works.

4. PREPARING FOR THE INSTALLATION

4.1 Staging

1. Check all the rough openings for the correct size and make sure they are level, plumb, and square. Make any needed adjustments to the framing.

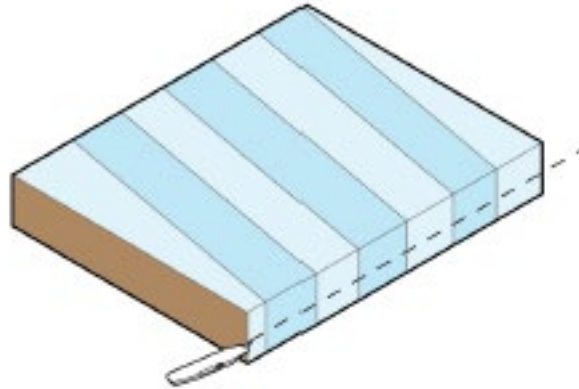


2. Put all INICIO windows near the exterior of its related rough opening.

4.2 Unpack the packaging

NOTICE

Only open the packaging of the INICIO windows on the day of the installation. If packaging is opened for inspection once the product is received, then it is the responsibility of the builder to keep the product safe from harm.



1. Open the packaging by cutting into the side.

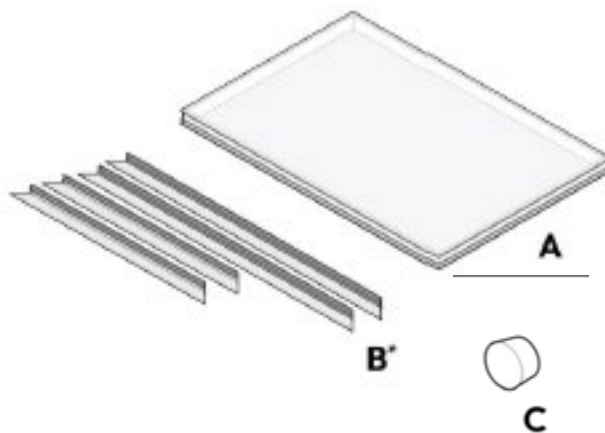
NOTICE

Be careful not to cut too deep, this might scratch the window frame.

4.3 Checking the contents

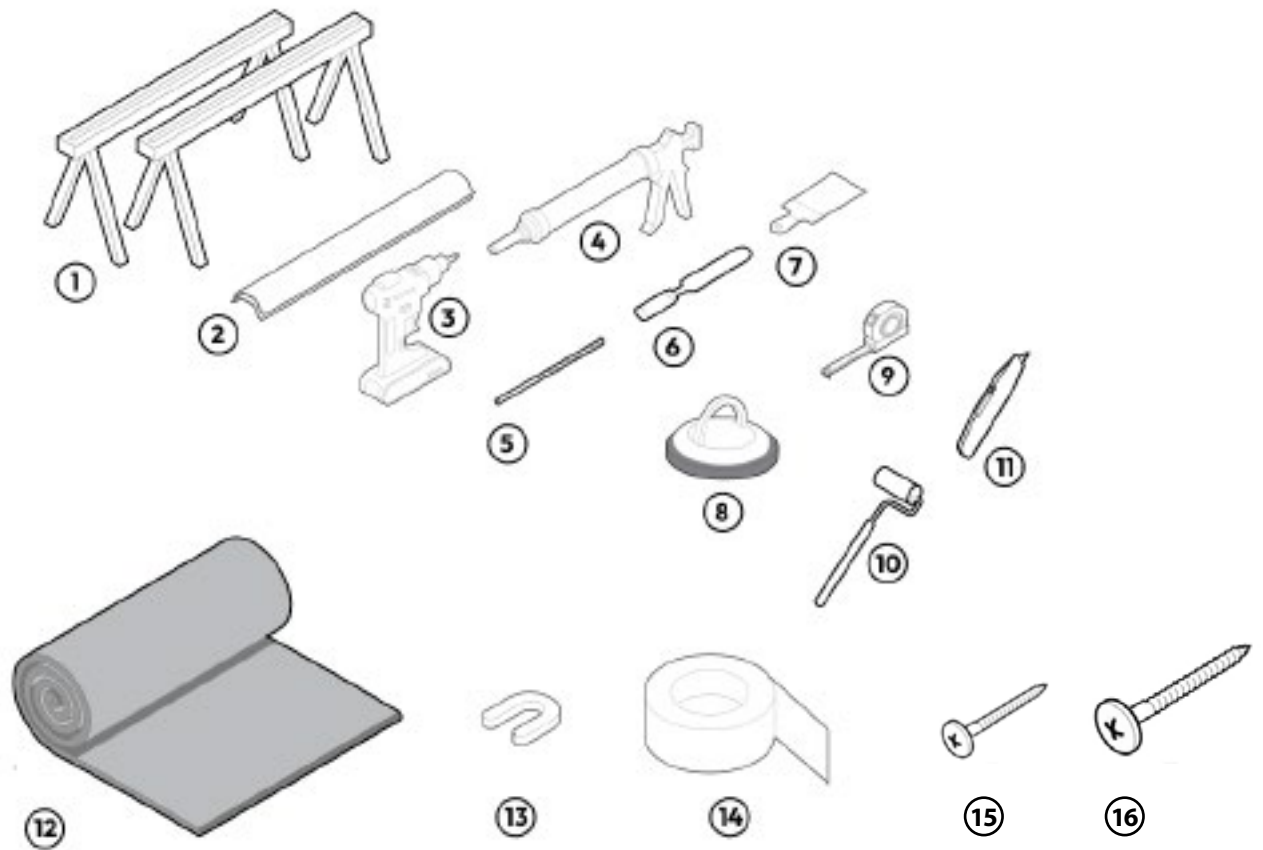
In the packaging you find:

- A. Window frame and sash
- B. Pre-cut nail fins if applicable
- C. Caps if applicable



4.4 Gather tools and supplies

The following tools and supplies are needed for the installation.



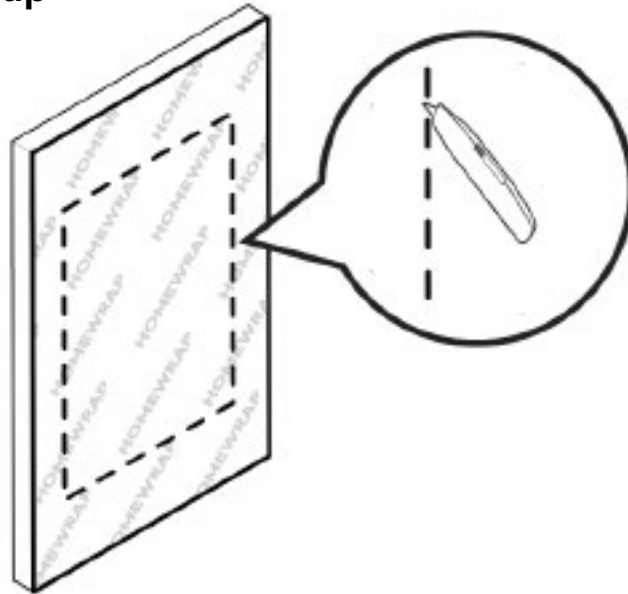
1. Saw horses
2. Sill pan flashing
3. Drill
4. Caulk gun loaded with high - quality silicone sealant
5. 1/8- inch drill bit
6. Putty knife
7. Spackle scraper
8. Suction cup
9. Tape measure
10. J - roller
11. Utility knife
12. Self - adhered membrane flashing
13. Plastic horseshoe shims
14. Home wrap tape
15. 5/8" self tapping screw;
only applicable if nail fin loose
16. #8 x 1-1/2 Truss head screws for nail fin.
#10 x 3" Truss head screws for thru-jamb
installation

5. PREPARING THE ROUGH OPENING

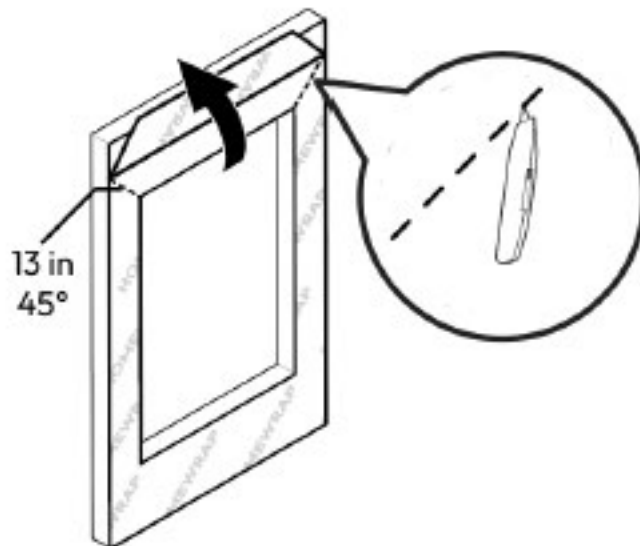
⚠ CAUTION

RISK OF INJURY! Always be careful when using sharp tools like a utility knife.

5.1 Preparing the home wrap



1. Cut an opening in the home wrap matching the dimensions of the rough opening where the window is installed.

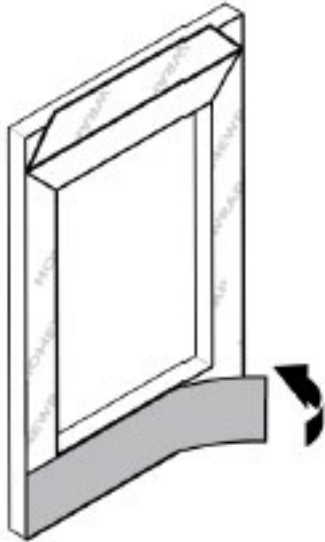


2. Make 13-inch long, 45-degree diagonal cuts in the upper corners of the home wrap. Tape the cut flap of the home wrap upwards for temporary clearance.

5.2 Applying flashing to the rough opening

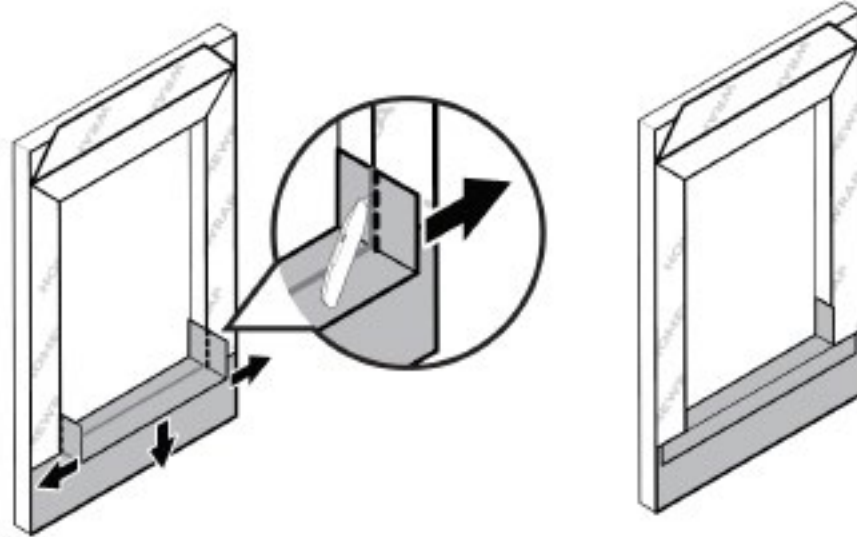
NOTICE

Always follow the manufacturer's guidelines for the correct installation of the flashing.



Installation note: Typically use a 9" wide roll of S.A.F. for new construction installations. Bottom apron per Illustration #1 to be used if no WRB (Weather Resistant Barrier) is installed. Skip this step if W.R.B. is in place.

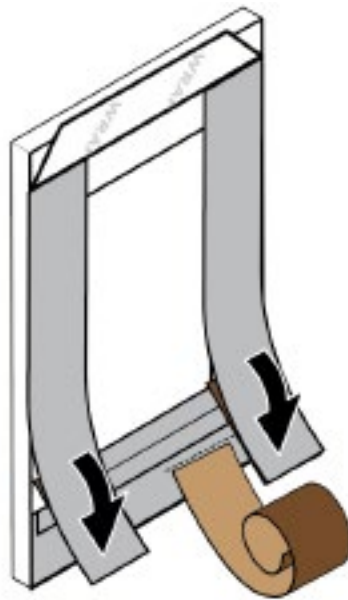
1. Apply flashing to the bottom of the rough opening.



2. Create a flexible sill pan, apply flashing to the base of the rough opening, make cuts in the corners, and fold the flaps over the corners of the rough opening.

NOTICE

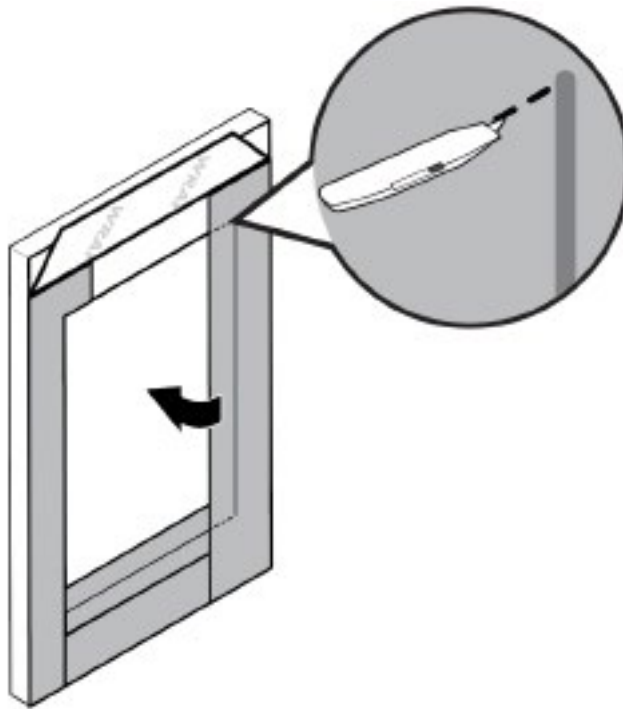
Using a Type I rigid sill pan is also acceptable, following ASTM E-2112-23 standards.



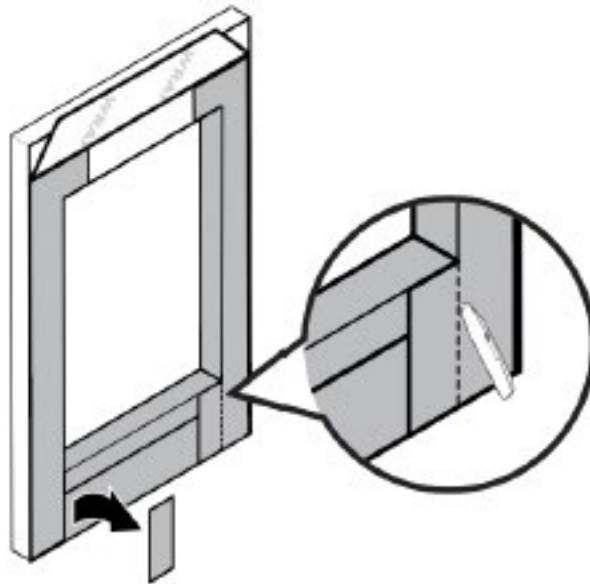
3. Apply flashing along the sides of the window opening, ensuring overlap with the rough opening.

NOTICE

To make this step easier, keep part of the release paper attached to the bottom section of the flashing that extends under the lower edge of the window opening.



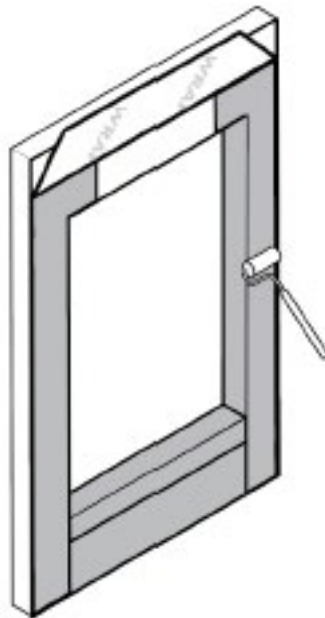
4. Cut the flashing in the corners and fold the flashing into the rough opening. Make sure the entire jamb is covered by flashing.



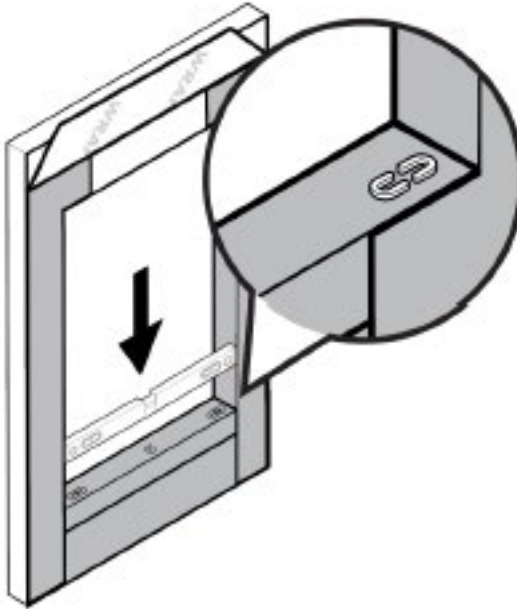
5. Cut away the pieces of flashing directly beneath the lower edge of the window opening. Remove the release paper left on in step 3, and attach the butyl flashing to the flashing underneath.

NOTICE

Be careful not to cut into the underlying flashing.



6. Use a J - roller to firmly press all the flashing onto the wall.



7. Level the rough opening's sill using a level and plastic horseshoe shims



For installers installing the window frame into block frame without using nail fins.

There are additional steps to finishing the flashing application.

Go to chapter **7 INSTALLATION INTO BLOCK FRAME WITHOUT USING NAIL FINS** on page 29 to continue the installation.



For installers installing the window frame into wood structure using nail fins.

Go to next page to chapter **6. INSTALLATION INTO WOOD STRUCTURE USING NAIL FINS** to continue the installation.

6. INSTALLATION INTO WOOD STRUCTURE USING NAIL FINIS

⚠ CAUTION

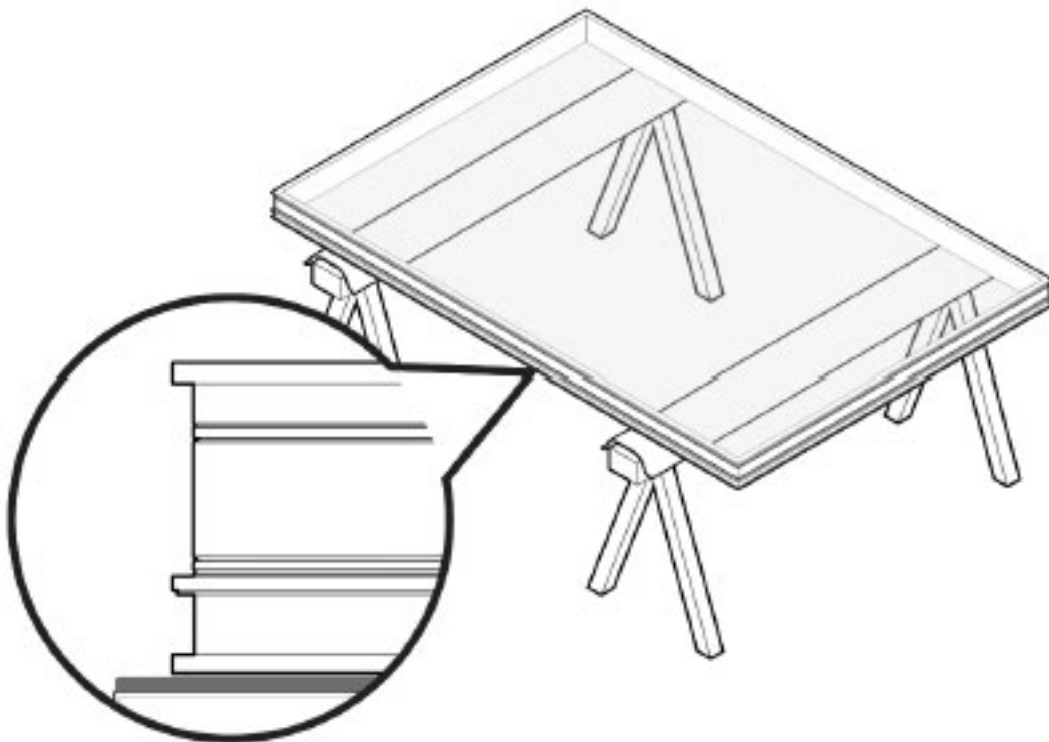
RISK OF INJURY! Always handle an INICIO window with at least two people. If necessary use lifting equipment rated for the load from the heavy window units.

The following section installation outlines the steps for installing an INICIO window into a wooden framework using nail fins.

NOTICE

The vast majority of INICIO windows include the nail fins already installed. If your project has them installed, proceed to 6.4. If they do not continue with 6.1.

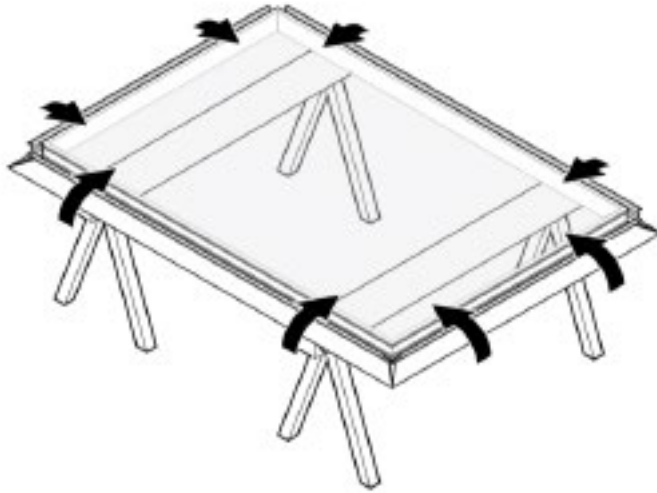
6.1 Preparing the window frame and nail fins



1. Put the **window frame** on saw horses. Make sure the window frame is supported on the aluminum frame and oriented correctly.

⚠ WARNING

RISK OF INJURY! Do not support the window frame on the glass.

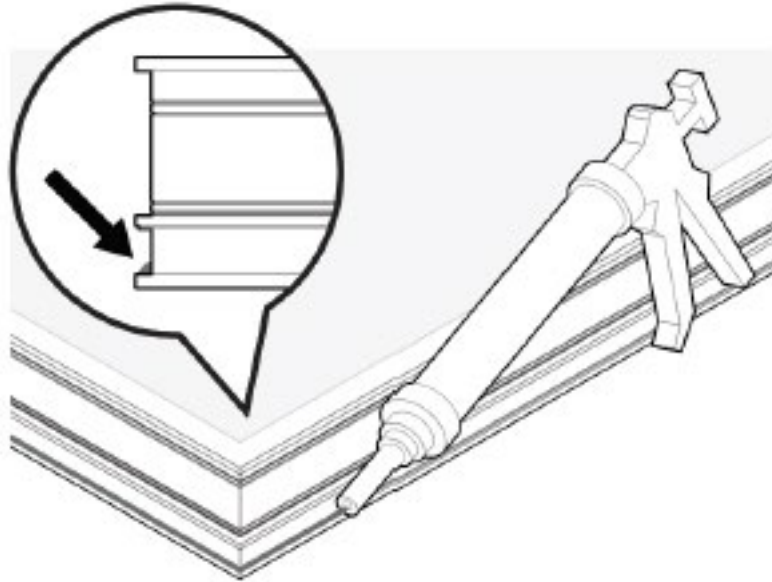


2. Dry - fit all the nail fins to the related side of the window frame, to make sure they fit correctly.

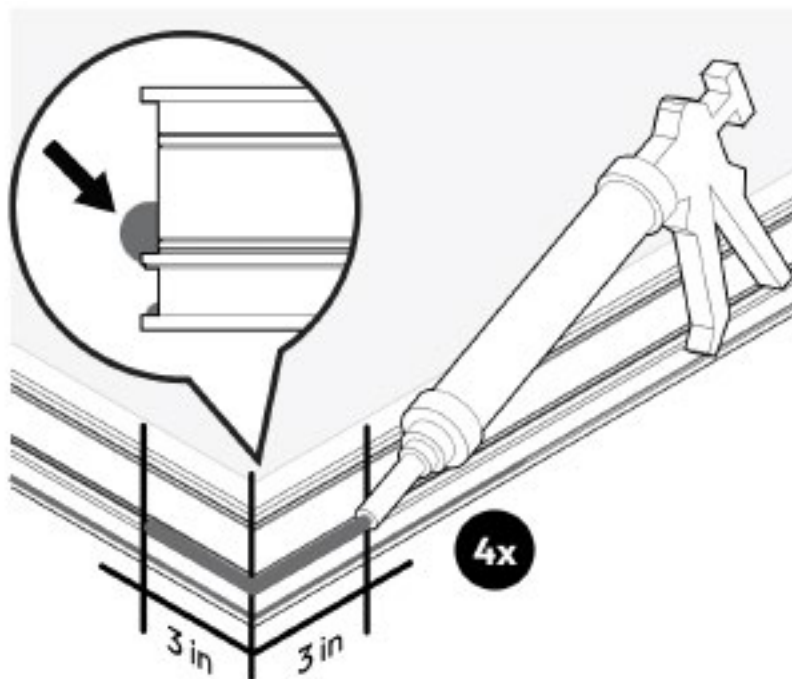
6.2 Applying sealant to the window frame

NOTICE

Always follow the manufacturer's guidelines for the correct application of the silicone sealant.



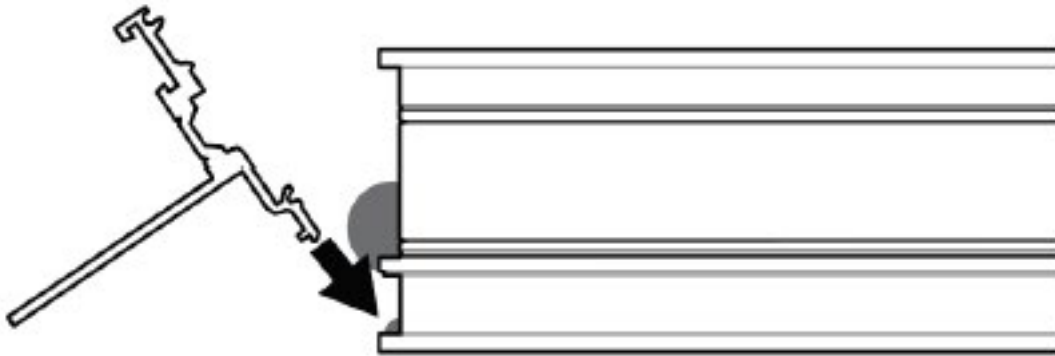
1. Apply a 1/4 - inch bead of silicone sealant on the **bottom lip** around the entire perimeter of the **window frame** using a caulk gun.



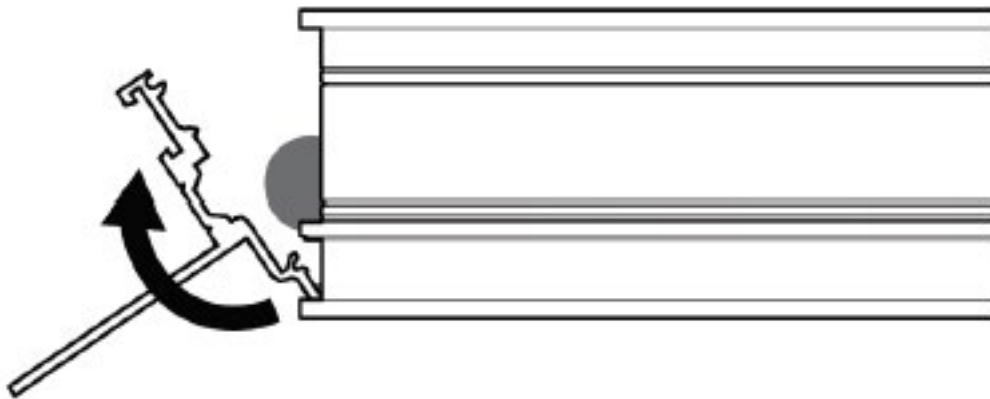
2. Apply a 1- inch bead of silicone sealant on the **middle lip** 3 inches across each **corner** using a caulk gun.

6.3 Installing the nail fins if applicable.

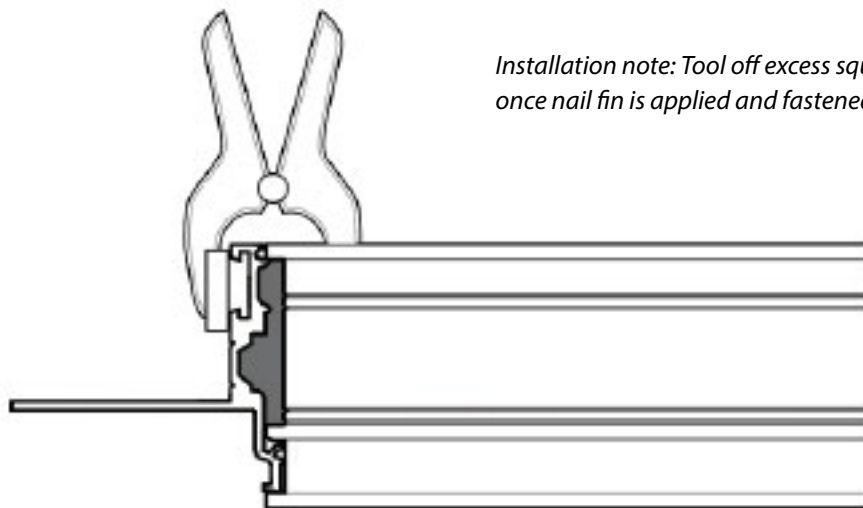
Repeat the below steps for each nail fin.



1. Put the bottom of the **nail fin** into the bead of sealant on the **bottom lip**.



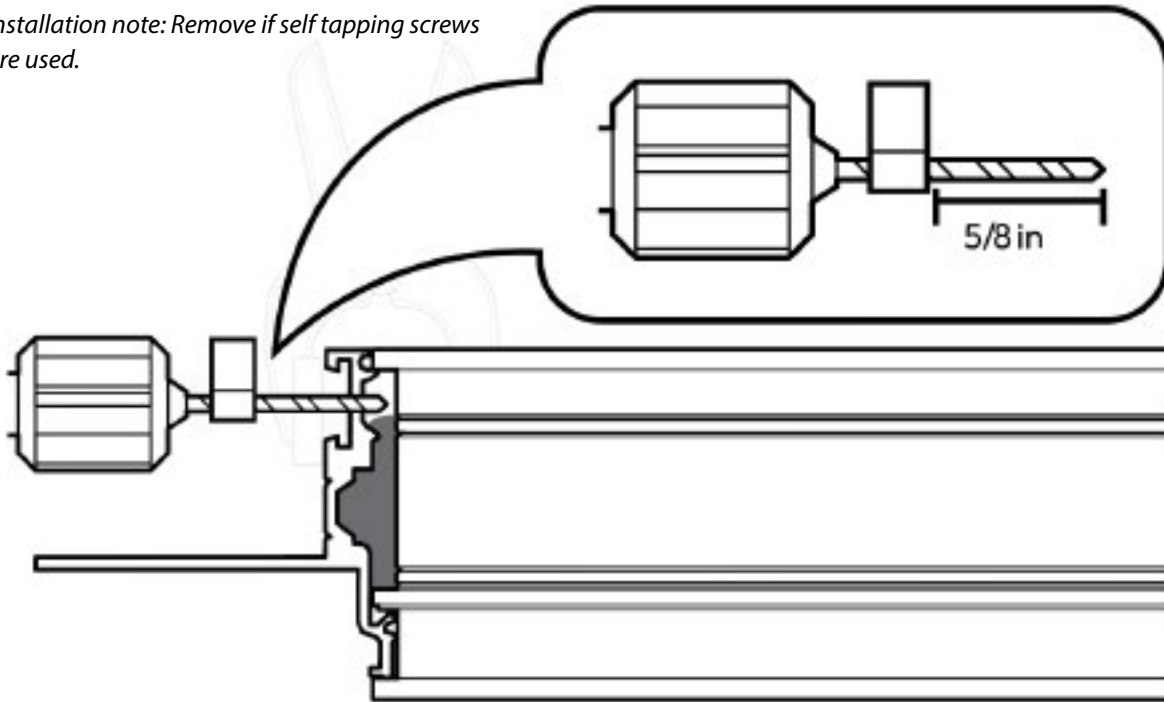
2. Tilt the **nail fin** into the side of the **window frame** . Make sure the bead of sealant on the **middle lip** is pressed between the **nail fin** and the **window frame** .



Installation note: Tool off excess squeeze out once nail fin is applied and fastened to frame.

3. Attach the **nail fins** to the **window frame** using clamps.

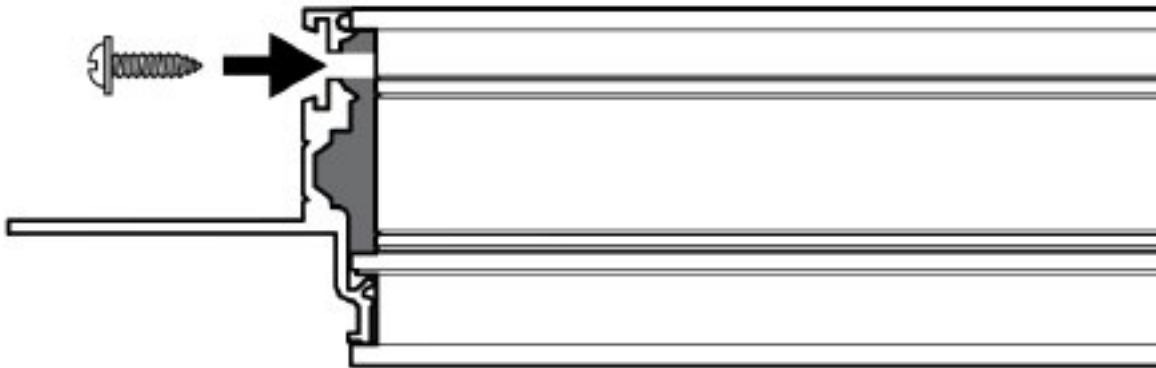
Installation note: Remove if self tapping screws are used.



4. Mark a 1/8 - inch drill bit at 5/8 inches with tape, and drill holes spaced 12 inches into the side of the nail fin. Make sure to not go too deep or you could cause damage to the frame.

⚠ WARNING

RISK OF INJURY! Always wear appropriate PPE such as safety goggles when handling power tools.



5. Firmly attach the nail fin to the window frame with contractor supplied 5/8" self tapping screws in the pre-drilled holes through the nail fin. Warning - 5/8" screw length is critical to installation.

6.4 Attaching the INICIO window to the rough opening.

CAUTION

RISK OF INJURY Always handle an INICIO window with a minimum of two people or more depending on the size of the window.

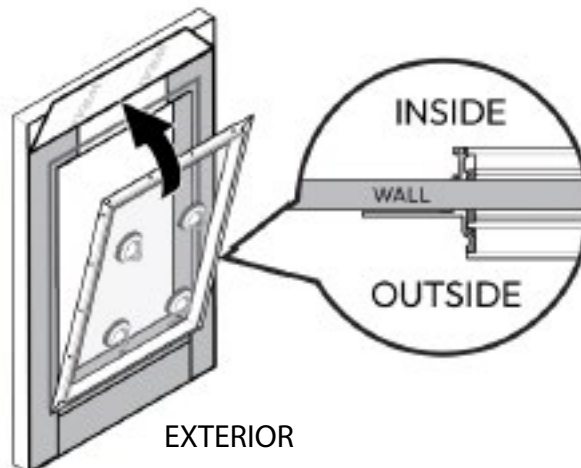
Use suction cups and lifting equipment to safely maneuver the window into its final installation location. Use lifting equipment rated for the load of the heavy window unit.



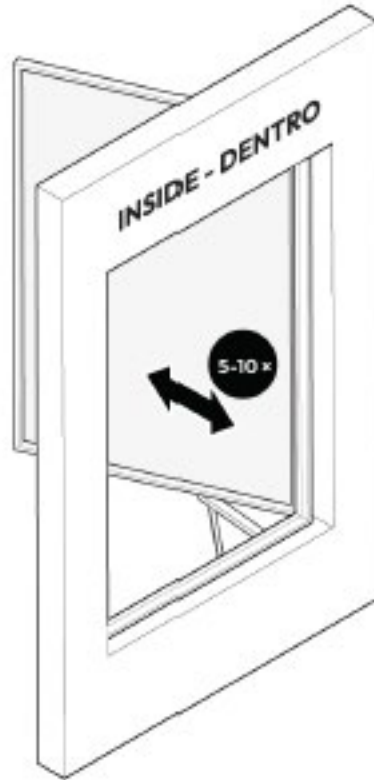
1. Apply a 3/8 - inch bead of silicone sealant 1 inch from the edge of the opening on both sides and top of the rough opening.

NOTICE

Do not apply sealant to the bottom. Applying silicone sealant on the whole perimeter will trap moisture.



2. Lift the **window frame** into the rough opening. From nail fin, to face of INICIO frame is approximately 1". This is the exterior of the INICIO window.



3. Corner screws are installed, but not OVER-TIGHTENED. This will allow installers to adjust frame slightly to confirm window frame is square, but also hold frame in place for safety.

Installation notes:

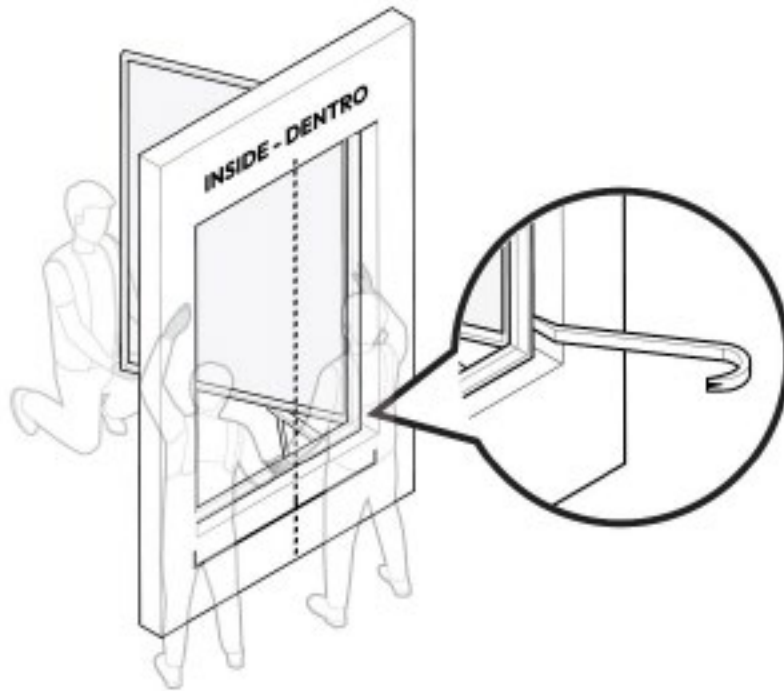
With the window held in place with the 4 screws at each corner of the vertical nail fin, check for plumb and square. If square apply 2 more screws in the middle of the vertical nail fins. Once the unit has these screws in place, slowly operate a casement or awning sash and verify operation. It should be smooth and open fully and close fully without any binding. Once this is complete, with the sash fully closed and locked, apply shims (wood or composite) at both sides starting 6" up from the corner and 6" down from the head jamb. Then apply shims at 16" intervals in between. Do not over-shim jambs. Shims should fit snug, but not forced into shim space.

Re-check jambs for plumb and overall frame for square, but pulling diagonal measurements. Once square and the operation of the sash is confirmed to be correct, apply remaining nail fin screws around entire perimeter of INICIO window. Then apply through-jamb screws into pre-drilled jambs. Note, thru-jamb screws should be applied in-line with shims. Once complete, cover through jamb screws with color matched jamb caps.

4. Open the window all the way. Make sure the **sash** is supported.

NOTICE

Refer to the supplementary documentation provided with the INICIO for instructions on opening the window.



5. Center the **window frame** by moving the **window frame** side- to- side using a prybar. Visually check the sash reveals and adjust where necessary.



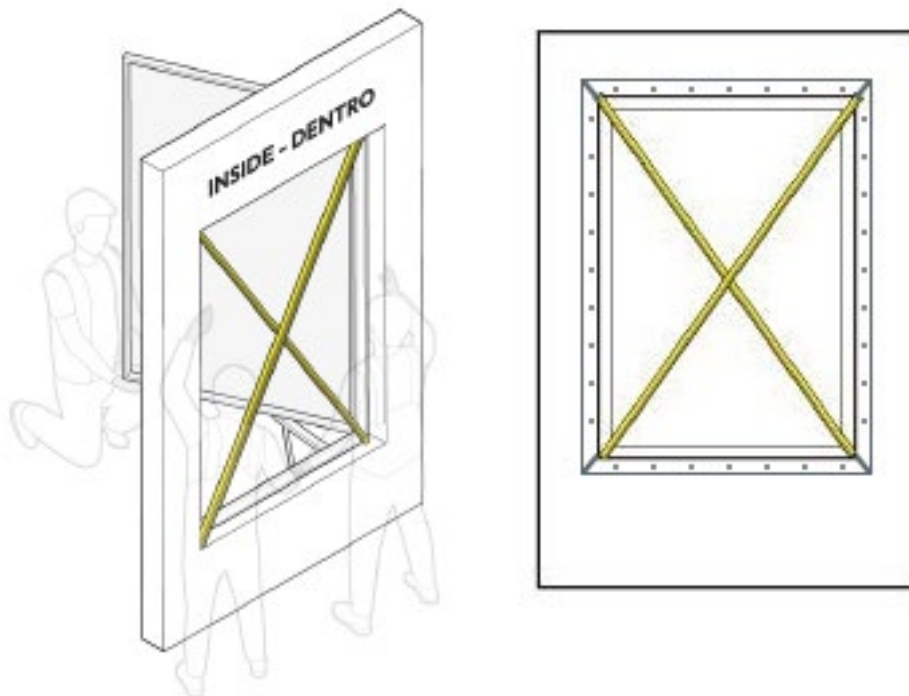
6. Make sure the window frame stays centered by putting plastic horseshoe shims between the jambs and the sides of the **window frame** .



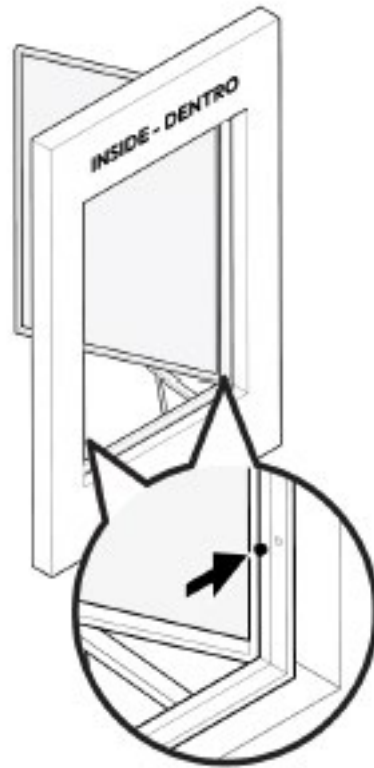
7. Attach the **window frame** to the jambs by driving the provided **truss head screws** into the upper and lower corners of the **window frame**.

NOTICE

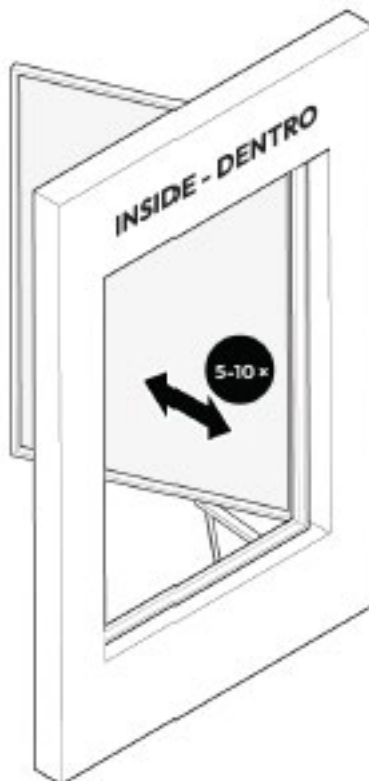
Make sure the window frame is plumb and square. Do not overtighten the screws.



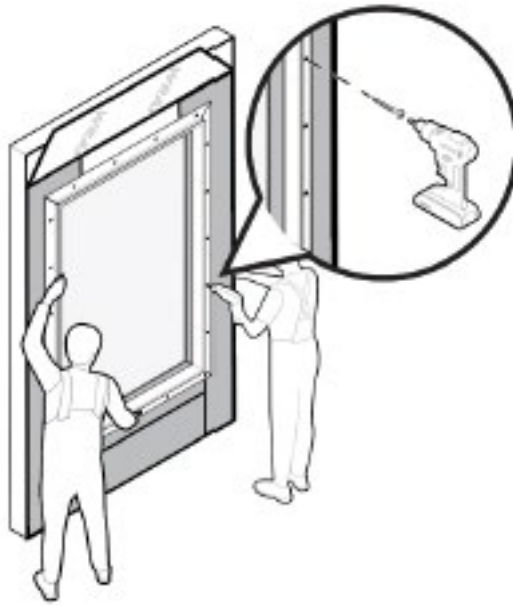
8. Check if the diagonal measurements of the window frame are equal to check for square. Adjust as necessary to where diagonal measurements are exactly equal. Once confirmed, drive screws secure confirming that the frame remains fully square.



9. Push the provided **cap** into the holes.



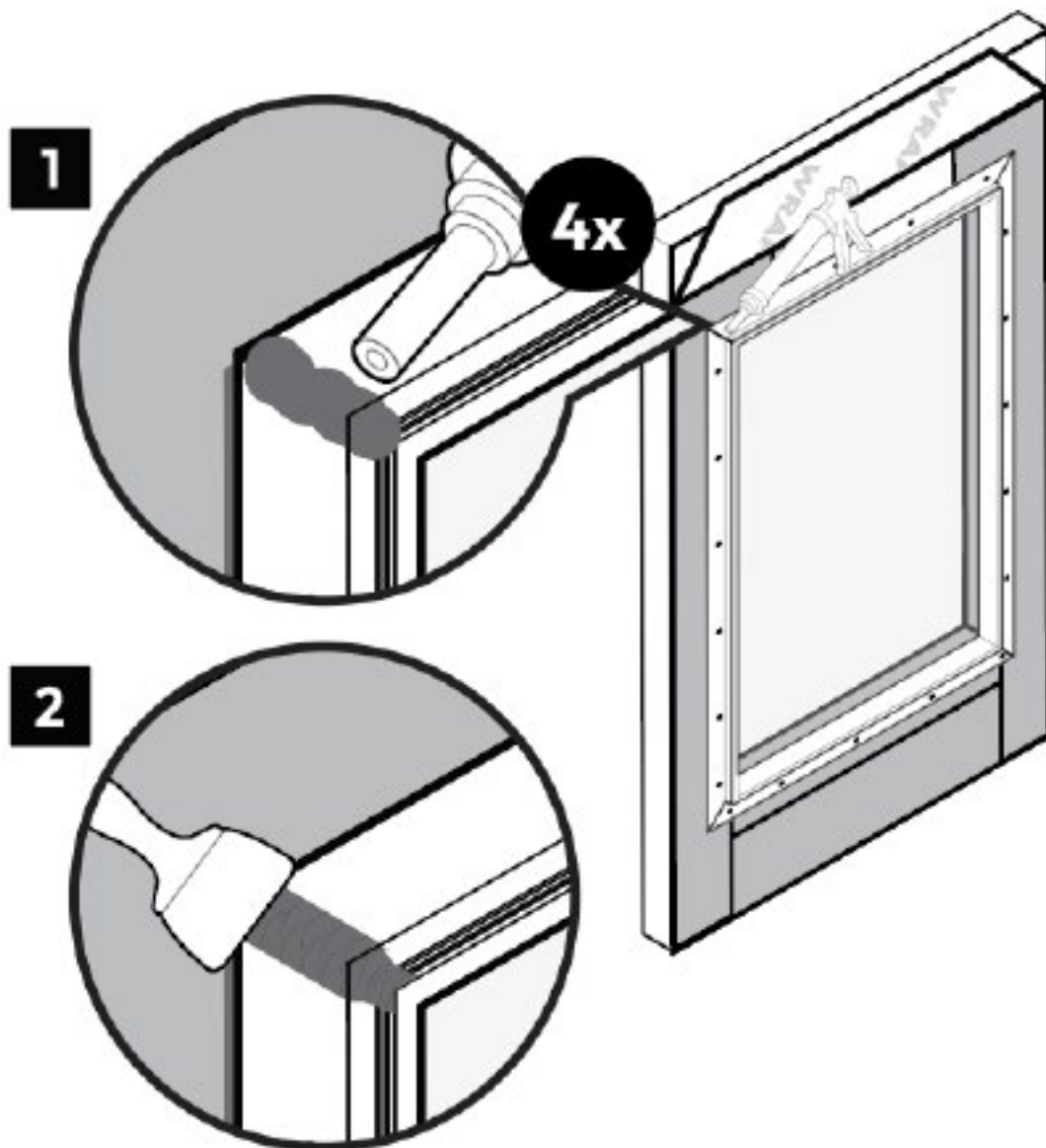
10. Open and close the window for 4 –5 cycles to make sure the operation is smooth, and the locks engage fully.



11. Attach the **nail fins** and the **window frame** to the window opening with screws. The manufacturer recommends using 8 x 1-1/2" Truss head screws.

6.5 Sealing the miters with silicone sealant

Repeat the below steps for each miter.



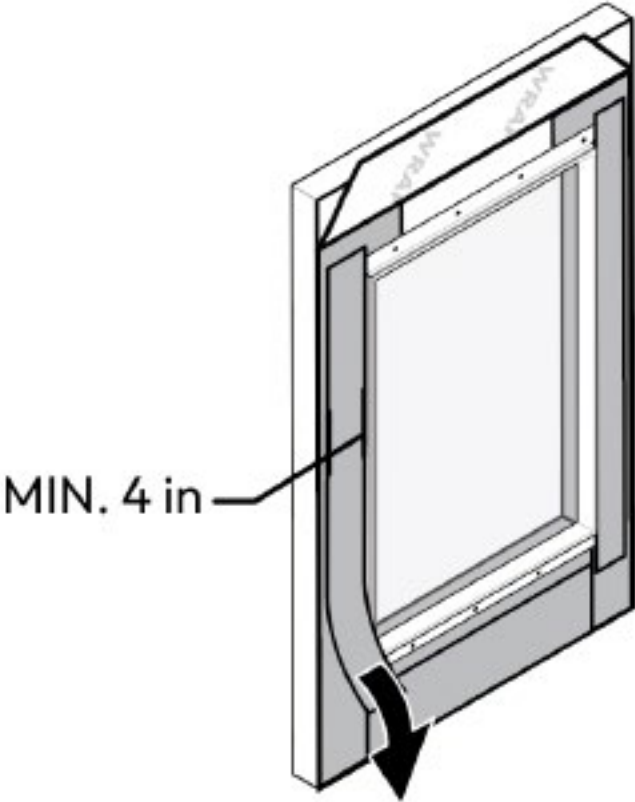
1. Apply sealant on the miters where the **nail fins** meet.

NOTICE

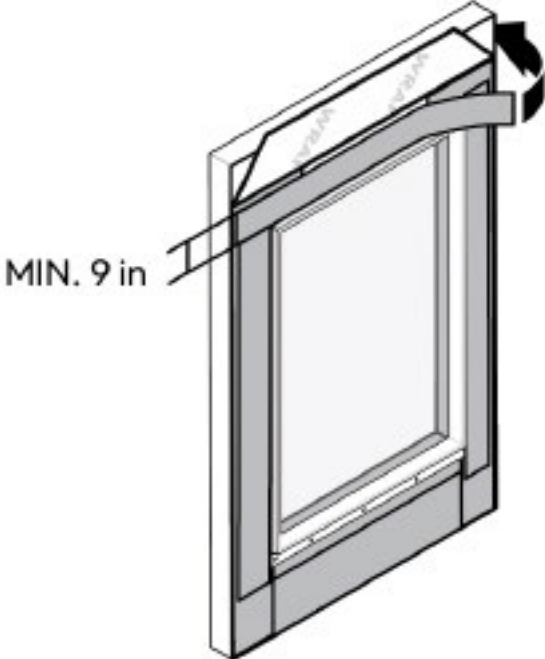
Make sure the whole miter is covered. Failing to seal the nailing surface and the corner where the nail fins meet could lead to water penetration around the frame.

2. Spread the sealant over the miter gap with a rigid putty knife.

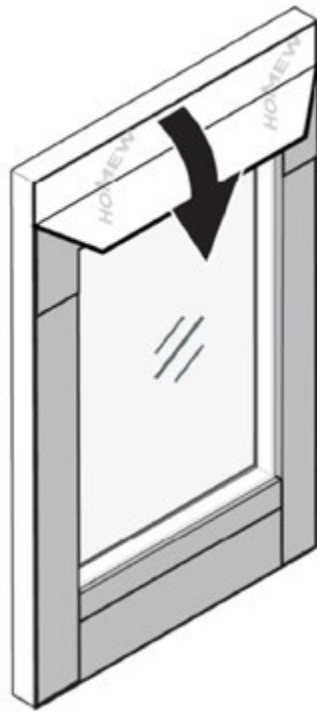
6.6 Sealing the exterior side of the window



1. Apply flashing (with a minimum width of 4 inches) over each of the side **nail fins** .

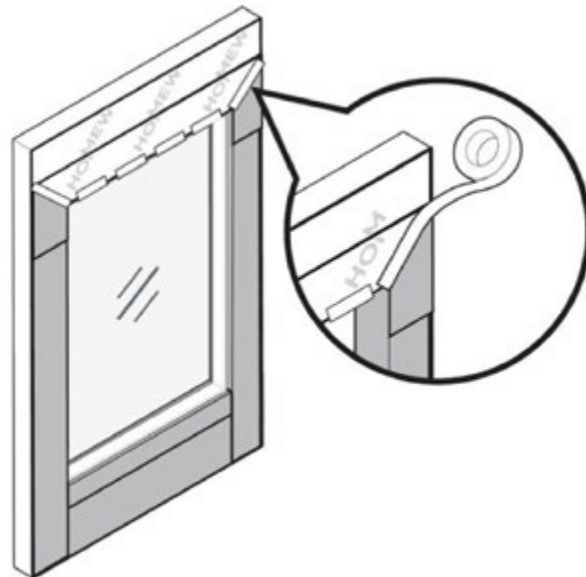


2. Apply flashing (with a minimum width of 9 inches) over the top **nail fin** .



3. Fold the flap of the home wrap back over the top nail fin.

*Installation notes:
Intermittent gaps of WRB tape along
at the head jamb is recommended.*



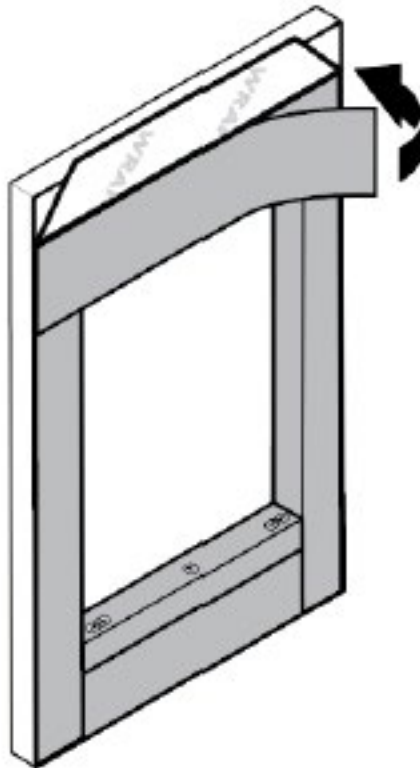
4. Attach the flap onto the flashing using home wrap tape. Tape the diagonal cuts and the bottom of the flap to the nail fin.



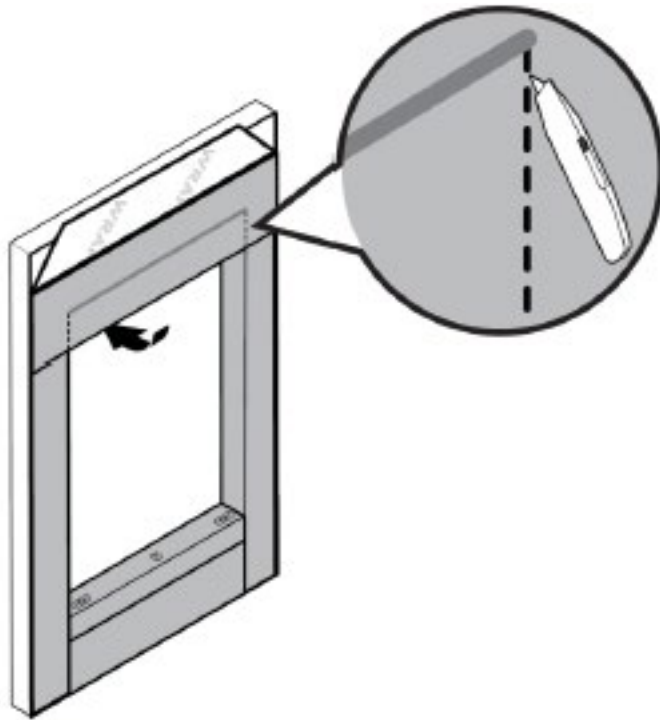
Go to chapter **Seal the interior side of the window** on page 38 to finish the installation.

7. INSTALLATION INTO BLOCK FRAME WITHOUT USING NAIL FINS

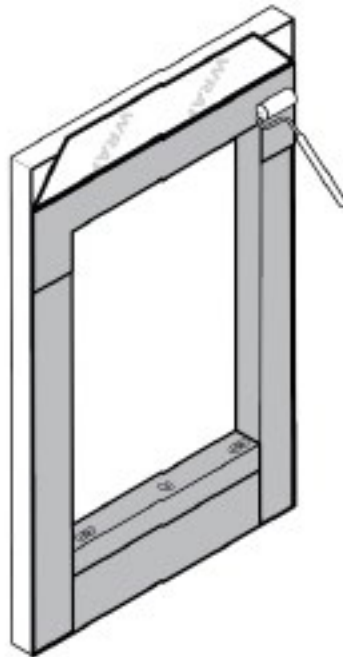
7.1 Further preparing the rough opening



1. Apply a strip of flashing to the header.



2. Cut the flashing in the corners and fold the flashing into the rough opening. Make sure the entire header is covered by flashing.



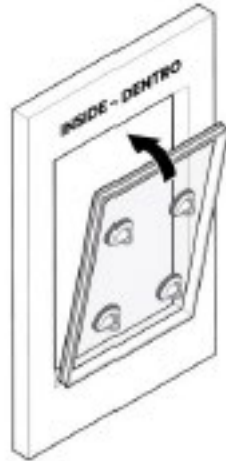
3. Use a J - roller to firmly press the flashing onto the wall.

7.2 Attaching the INICIO window to the rough opening

⚠ CAUTION

RISK OF INJURY Always handle an INICIO window with a minimum of two people or more depending on the size of the window.

Use suction cups and lifting equipment to safely maneuver the window into its final installation location. Use lifting equipment rated for the load of the heavy window unit.



1. Lift the **window frame** into the rough opening.



2. Make sure the **window frame** is held in position for the rest of the installation.

⚠ WARNING

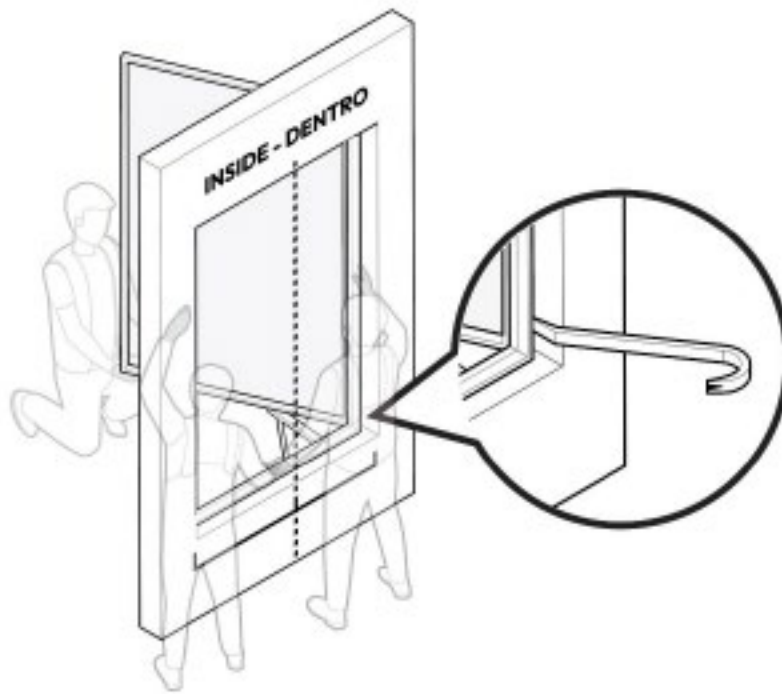
RISK OF SERIOUS INJURY OR DEATH! Do not continue with the installation when the window is not held in position. This could result in the window falling and risk of damage, serious injury or even death.



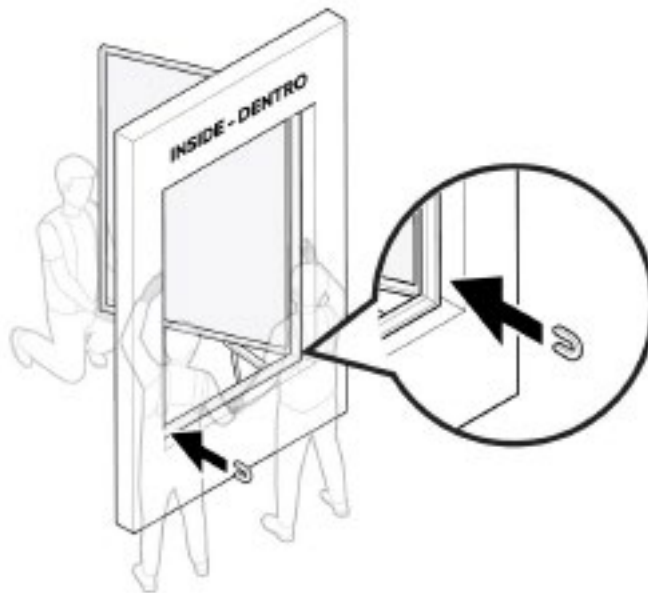
3. Open the window all the way. Make sure the **sash** is supported.

NOTICE

Refer to the supplementary documentation provided with the INICIO for instructions on opening the window.



4. Center the **window frame** by moving the **window frame** side-to-side using a prybar. Visually check the sash reveals.



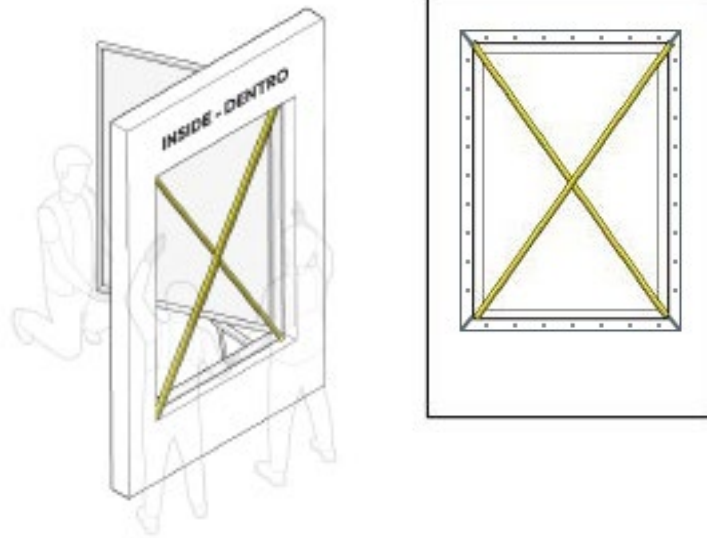
5. Make sure the window frame stays centered by putting plastic horseshoe shims between the jambs and the sides of the **window frame** .



6. Attach the **window frame** to the jamb by driving the provided **truss head screws** into the upper and lower corners of the **window frame**.

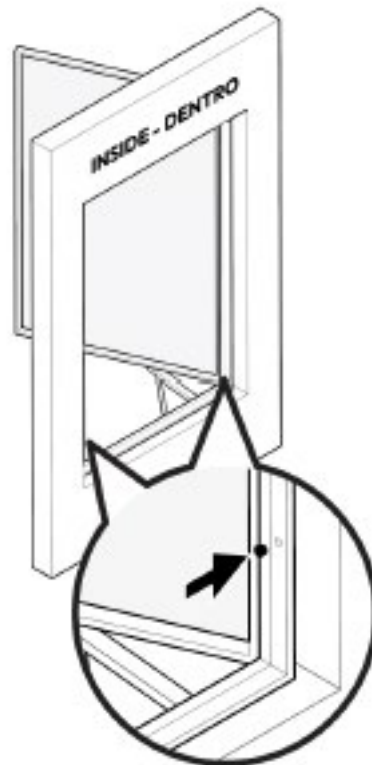
NOTICE

Make sure the window frame is plumb with the jamb. Do not overtighten the screws.

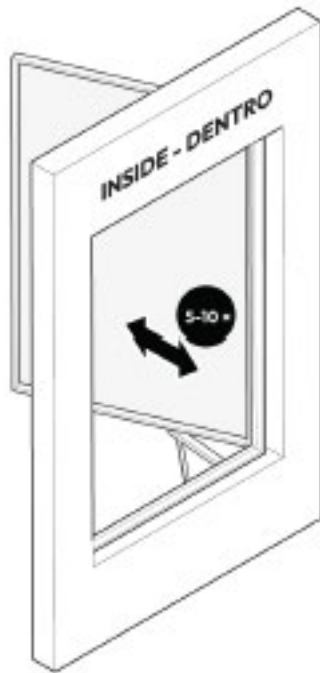


7. Check if the diagonal measurements of the window frame are equal to check for square. Adjust as necessary to where diagonal measurements are exactly equal.

Once you have confirmed unit is plumb and square in the opening, apply through jamb fasteners in all side jamb holes at 6" off each corner and 16" O.C. Do not apply through jamb fasteners through any sills. Only apply fasteners at side and head jambs.

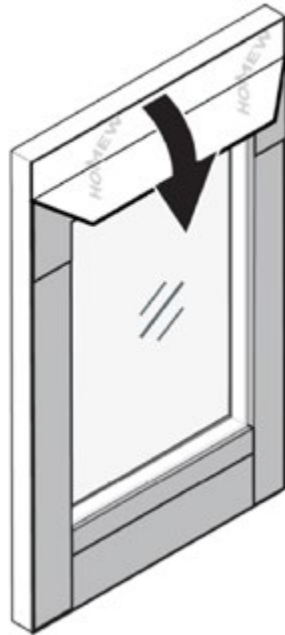


8. Push the provided **caps** into the holes.

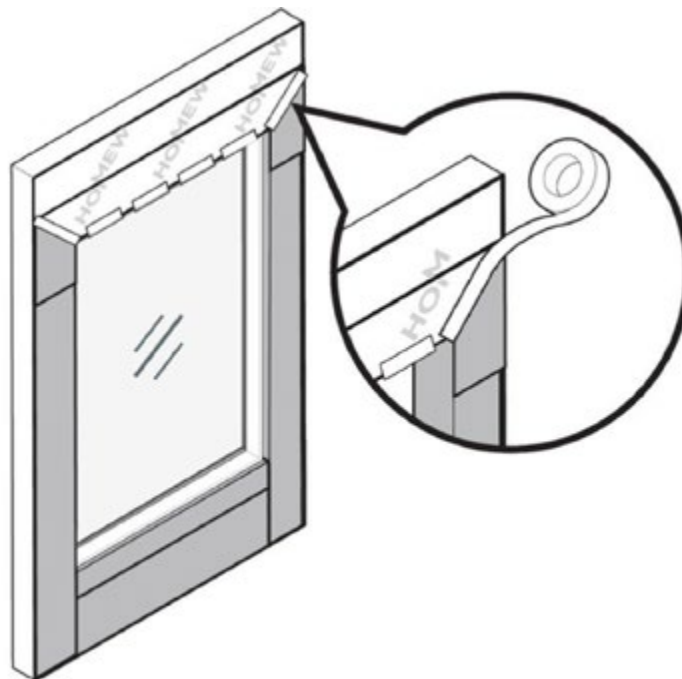


9. Open and close the window for 4–5 cycles to make sure the operation is smooth, and the locks engage fully.

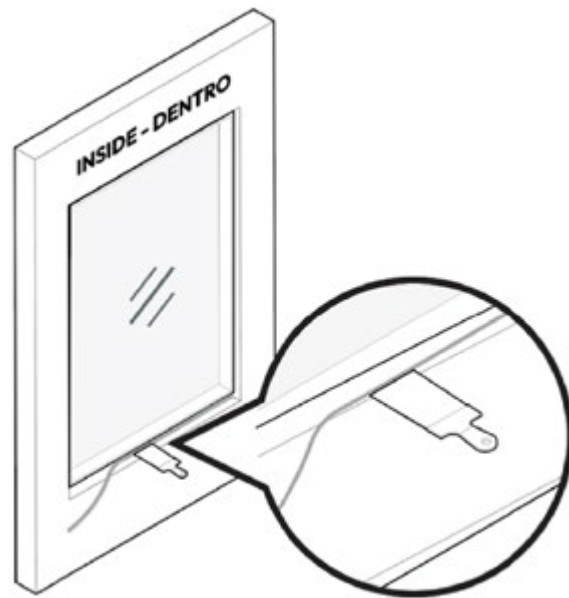
7.3 Seal the exterior side of the window



1. Fold the flap of the home wrap back over the header.



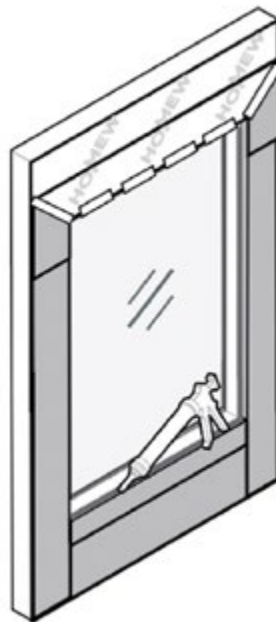
2. Attach the flap onto the flashing using home wrap tape. Tape the diagonal cuts and the bottom of the flap to the header.



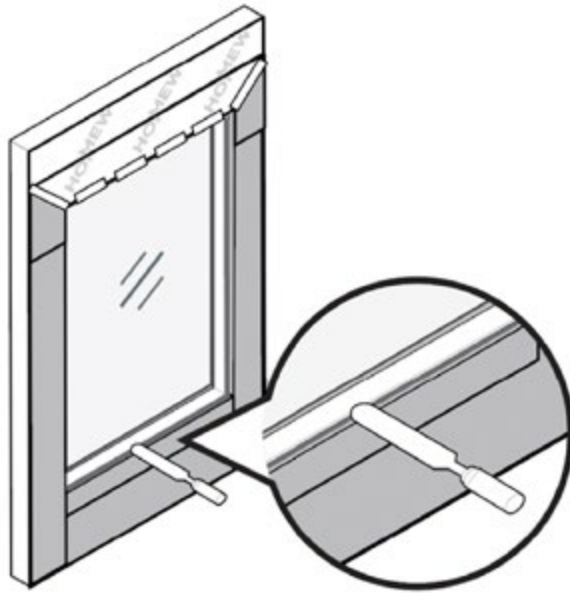
3. Push a backer rod into the gap around the whole perimeter between the **window frame** and the rough opening.

NOTICE

It could be necessary to use various sizes of backer rods.



4. Fill the gap between the **window frame** and the rough opening with silicone sealant.



5. Tool the silicone sealant using a spatula, make sure the silicone sealant continuously fills the gap between the window frame and the rough opening.

NOTICE

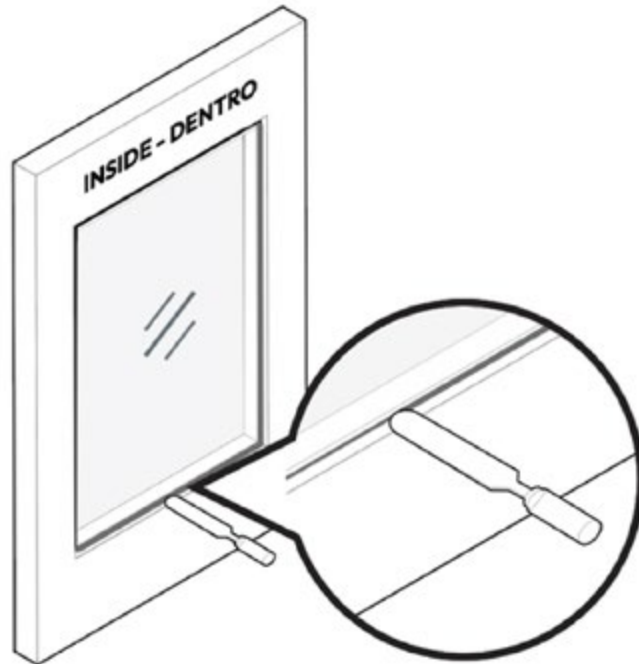
Mask over the window with painter's tape to protect it from excess silicone.



Continue to the next page to **Seal the interior side of the window** to finish the installation.

8. SEALING THE INTERIOR SIDE OF THE WINDOW

The following steps shall be applied regardless of the installation method.



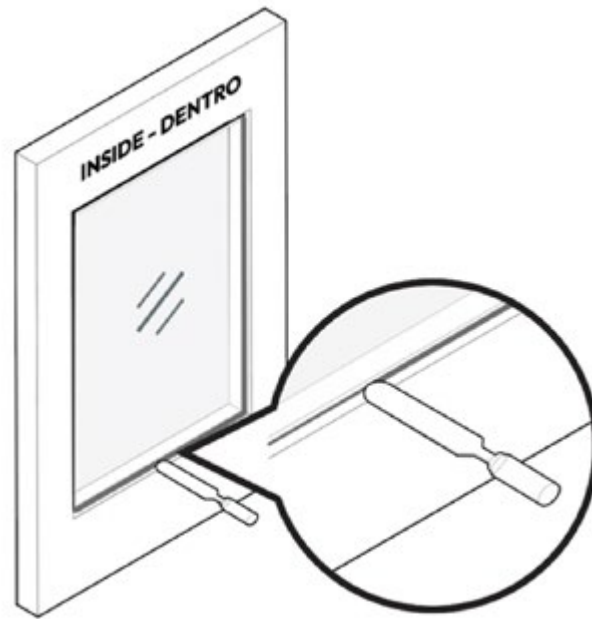
1. Push a backer rod into the gap around the whole perimeter between the **window frame** and the rough opening.

NOTICE

It could be necessary to use various sizes of backer rods.



2. Fill the gap between the **window frame** and the rough opening with silicone sealant.



3. Tool the silicone sealant using a spatula, make sure the silicone sealant continuously fills the gap between the window frame and the rough opening.

NOTICE

Mask over the window with painter's tape to protect it from excess silicone.

The INICIO window installation is now complete.

9. FINAL DETAILS BEFORE DRYWALL

For units with Window Opening Control Devices installed, confirm correct operation and conformity with the safety codes.

Retain these installation instructions and all copies of warranties and give them to the homeowner or end-user for their records.

10. WARRANTY

Thank you for choosing our INICIO windows! We hope you are delighted with your new windows and the enhanced comfort they bring to your home.

To ensure you get the most out of your investment, please visit our website at iniciowindows.com to register for your warranty and access important care and use information.

Your satisfaction is our top priority, and we are here to assist you with any questions or concerns you may have. Thank you again for your business, and we look forward to serving you in the future. Enjoy your new windows!

